

## Radio position switch

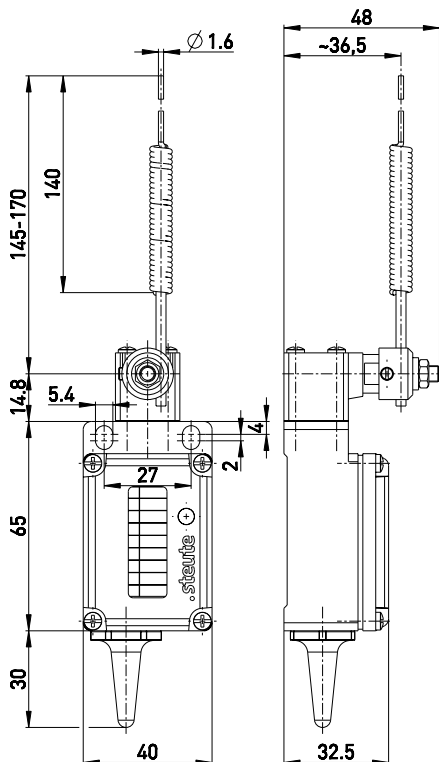
// RF 41 DF EN868 Order no.: 41927901

### Features/Options


- Integrated solar cell, no battery/rechargeable battery required
- Output signal to be configured individually at the receiver
- EnOcean-protocol
- Data rate 120 kbps
- No wiring and pipe laying required
- Multi-network capable

- Easy programming of receiver
- Actuator: Spring-rod lever DF
- Actuating speed max. 0.5 m/s
- Lever can be repositioned in 10° steps clockwise or counter-clockwise
- Actuator can be repositioned by 180°

### Dimensions



### Technical Data

<b>Standards</b>	EN 60947-5-1; EN 61000-6-2; EN 301 489-1; EN 301 489-3; EN 300 220-2
<b>Enclosure Cover</b>	Aluminium die-cast, enamelled Glassfibre reinforced thermoplastic
<b>Degree of protection Protocol</b>	IP 65 per IEC/EN 60529 EnOcean
<b>Ambient temperature</b>	-20 °C ... +65 °C
<b>Switching frequency</b>	approx. 9000 telegrams at repetitions/h
<b>Voltage supply</b>	Solar cell
<b>Frequency</b>	868.3 MHz
<b>Transmission power</b>	max. 10 mW
<b>Data rate</b>	120 kbps
<b>Bandwidth channel</b>	280 kHz
<b>Sensing range</b>	max. 300 m outside, max. 30 m inside
<b>Mechanical life</b>	> 1 million operations
<b>Power consumption in sleep mode</b>	approx. 25 nA
<b>Switching on with empty energy supply</b>	< 10 min at 400 lx
<b>Charging time with empty energy supply</b>	approx. 6 h at 400 lx, approx. 1.5 h at 1000 lx
<b>Charging time at operation limit</b>	1 h at 400 lx, approx. 15 min at 1000 lx
<b>Operation time in darkness</b>	approx. 48 h, with status signal every 3h, when the goldcap is totally charged at 1000 lx
<b>Actuating time</b>	min. 80 ms
<b>Note</b>	status signal adjustable ex factory
<b>Approvals</b>	

Errors and omissions excepted.