

Radio position switch

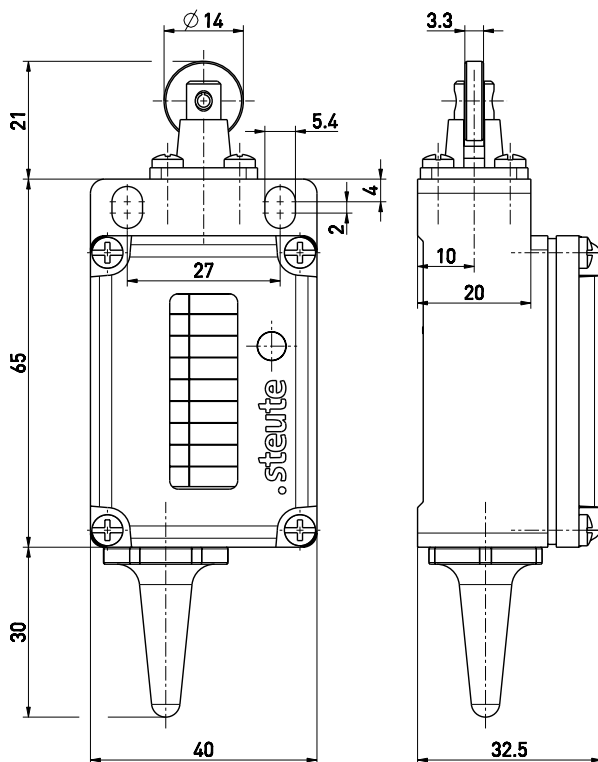
// RF 41 R EN868 Order no.: 41909903

Features/Options


- Integrated solar cell, no battery/rechargeable battery required
- Output signal to be configured individually at the receiver
- EnOcean-protocol
- Data rate 120 kbps
- No wiring and pipe laying required
- Multi-network capable

- Easy programming of receiver
- Actuator: Roller plunger R
- Actuating speed max. 0.5 m/s with an actuating angle of 30°
- Metal roller
- Actuator can be turned 90°

Dimensions



Technical Data

| | |
|---|---|
| Standards | EN 60947-5-1; EN 61000-6-2; EN 301 489-1; EN 301 489-3; EN 300 220-2 |
| Enclosure Cover | Aluminium die-cast, enamelled Glassfibre reinforced thermoplastic |
| Degree of protection Protocol | IP 65 per IEC/EN 60529 EnOcean |
| Ambient temperature | -20 °C ... +65 °C |
| Switching frequency | approx. 9000 telegrams at repetitions/h |
| Voltage supply | Solar cell |
| Frequency | 868.3 MHz |
| Transmission power | max. 10 mW |
| Data rate | 120 kbps |
| Bandwidth channel | 280 kHz |
| Sensing range | max. 300 m outside, max. 30 m inside |
| Mechanical life | > 1 million operations |
| Power consumption in sleep mode | approx. 25 nA |
| Switching on with empty energy supply | < 10 min at 400 lx |
| Charging time with empty energy supply | approx. 6 h at 400 lx, approx. 1.5 h at 1000 lx |
| Charging time at operation limit | 1 h at 400 lx, approx. 15 min at 1000 lx |
| Operation time in darkness | approx. 48 h, with status signal every 3h, when the goldcap is totally charged at 1000 lx |
| Actuating time | min. 80 ms |
| Note | status signal adjustable ex factory |
| Approvals |  |

Errors and omissions excepted.