

Safety sensors

// HS Si 4 2Ö-1m Order no.: 20470101

Features/Options

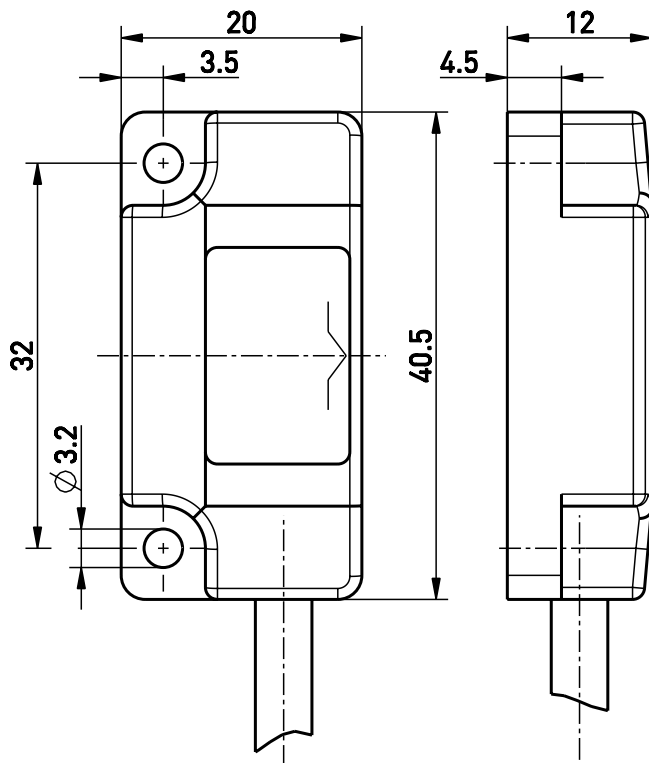
- Thermoplastic enclosure
- Long life
- High shock resistance

- Hall sensor 2 NC contacts
- Galvanically separated channels
- With cable

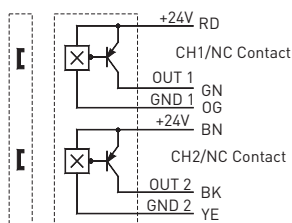
Note

The actuator is not included in the delivery of the switches.

Dimensions



Contact diagram



Technical data

Standards	EN ISO 13849-1; IEC/EN 60947-5-2; IEC/EN 60947-5-3/PDF-M*; EN 954-1; EN 1088
Enclosure	glass-fibre reinforced thermoplastic, ultramid A3XZG5, self-extinguishing
Degree of protection	IP 67 to IEC/EN 60529
Switching system	Hall sensor, 2 channels galvanically separated, semiconductor
Connection	2 NC contacts
Cable length	cable, 6 x AWG 26 1 m
Safety-relevant data:	
EN 954-1	Category 4 *
EN ISO 13849-1	PL e
T_M	max. 20 years
MTTFd	> 100 years
Utilisation category	DC-13, DC-12
I_e/U_e	40 mA / 24 VDC
U_e	10 ... 30 VDC
U_i	75 VDC
U_{imp}	1 kV
Residual current	≤ 6 mA per channel
Voltage drop	≤ 2.5 VDC
Switch-on/switch-off time	< 1 ms
Risk time	< 100 ms
Max. fuse rating	< 50 mA internal reversible fuse
Switching frequency	max. 1000 Hz
Degree of pollution	3
Overvoltage category	II
Ambient temperature	-20 °C ... +70 °C
Switching capacity:	
S_{ao}	6 mm
S_{ar}	20 mm
	* is only achieved in combination with a safety module
Weight	42g

Errors and omissions excepted.

Safety sensors

// HS Si 4 2Ö-1m Order no.: 20470101

Axial misalignment

