



## Ex Safety sensors

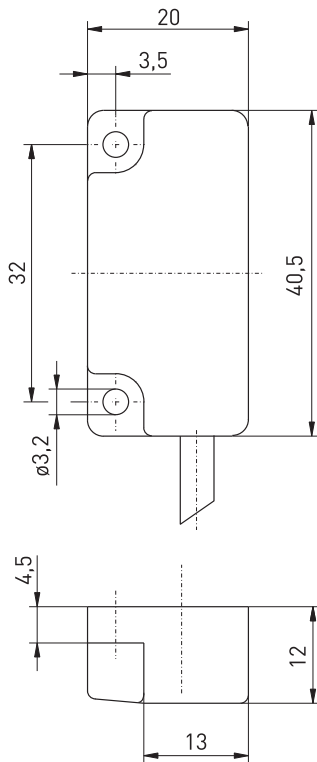
// Ex HS Si 4 1Ö/1S - 2m Order no.: 20463201

### Features/Options

- Ex zone 1 and 21
- Thermoplastic enclosure
- Hall elements, coded
- Actuation from front

- Switching distance up to 8 mm
- The actuator is not included in the delivery of the switches
- N.B.: Please state required approvals for China with your order!

### Dimensions



### Technical data

|                      |  |
|----------------------|--|
| Standards            | EN 60079-0; EN 60079-18;<br>EN 61241-0; EN 61241-18;<br>EN 60947-5-3 /PDF-M*; EN 1088;<br>EN ISO 13849-1 |
| Enclosure            | glass-fibre reinforced<br>thermoplastic, self-extinguishing,<br>A3XZG5                                   |
| Actuator             | actuator Ex MC 4<br>order No. 05.00.8222   |
| Degree of protection | IP 67 to IEC/EN 60529  |
| Switching system     | hall sensor,<br>2 galvanically separated channels,   |
| Connection           | 1 NC/1 NO contacts<br>cable 6 x AWG 26   |
| $T_M$                | max. 20 years  |
| $MTTF_d$             | >100 years   |
| Utilisation category | DC-13, DC-12   |
| Switching voltage    | 24 VDC   |
| Switching current    | max. 40 mA per channel   |
| Switching capacity   | max. 1.2 W   |
| Max. fuse rating     |  |
| Switching frequency  | max. 1000 Hz   |
| Ambient temperature  | -20 °C ... +60 °C  |
| Operating distances: |  |
| $S_{max}$            | 8 mm   |
| $S_{ao}$             | 6 mm   |
| $S_{ar}$             | 20 mm  |
| Axial misalignment   | max. 4 mm  |
| Ex-marking           | ⊕ II 2G Ex mb II T6,<br>⊕ II 2D Ex mbD 21 T80°C<br>IECEX Ex mb II T6                                     |
| Approvals            | BVS 08 ATEX E150 X;<br>IECEX BVS 08.0054X  |



Errors and omissions excepted.