

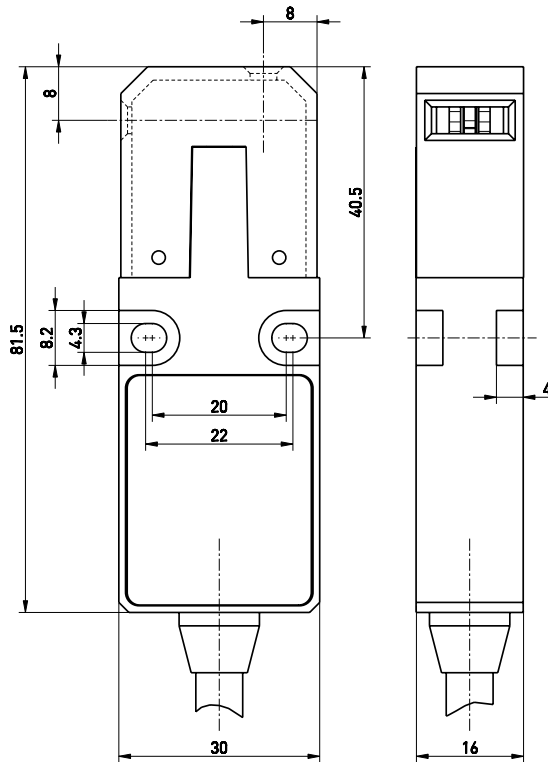
Ex safety switches with separate actuator // Ex ST 14 20 2m Order no.: 14553305

Features/Options

- Ex zone 1 and 21
- Thermoplastic enclosure
- Double insulated

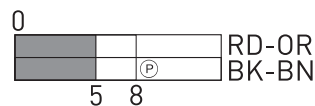
- With pre-wired cable
- N.B.: Please state required approvals for Russia, China and Brazil with your order!

Dimensions



Switching diagram

Slow action
2 NC contacts



Technical data

Standard	EN 60947-5-1; EN 1088; EN 60079-0, EN 60079-1, EN 60079-31; EN ISO 13849-1
Enclosure	glass-fibre reinforced, shock-proof thermoplastic, self-extinguishing UL 94-V0 stainless steel 1.4301
Actuator	
Degree of protection	IP 65 according to EN 60529
Contact material	silver
Switching system	slow action, positive break NC contact \ominus
Switching elements	2 NC contacts, galvanically separated contact bridges
Connection	cable H05VV-F 4 x 0.75 mm ²
B_{10d}(10% Load)	2 million
T_M	max. 20 years
Cable length	2m
U_{imp}	4 kV
U_i	250 V
I_{the}	T6: 6 A; T5: 3 A
I_e/U_e	6 A/250 VAC; 4 A/24 VDC; 0.25 A/230 VDC
Utilisation category	AC-15, DC-13
Max. fuse rating	6 A gL/gG D-fuse
Positive break travel	8 mm
Ambient temperature	T6: -20 °C ... +65 °C, T5: -20 °C ... +95 °C
Mechanical life	> 1 million operations
Ex marking	⊕ II 2G Ex d IIC T6/T5 Gb, ⊕ II 2D Ex tb IIIC T80°C/T95°C Db IP 65 IECEx Ex d IIC T6/T5 Gb, Ex tb IIIC T80°C/T95°C Db
Approvals	PTB 03 ATEX 1070 X; IECEx PTB 06.0098X



Errors and omissions excepted.