

## Ex command devices

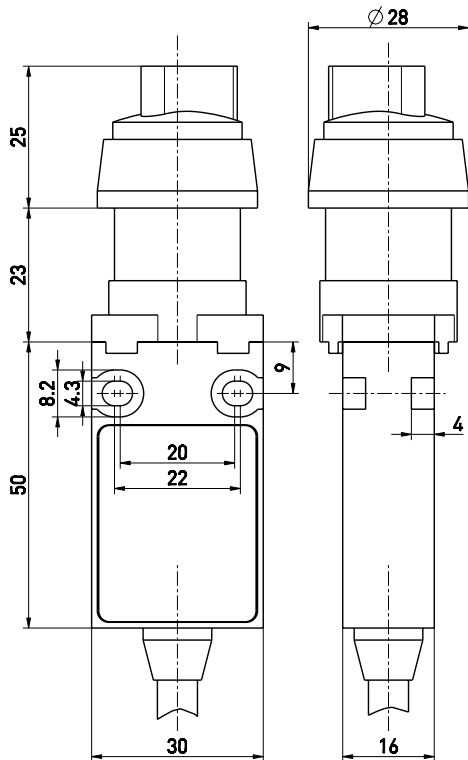
// Ex 14 RWC I - 0 ← II-1m Order no.: 14057303

### Features/Options

- Ex zone 1 and 21
- Double insulation
- Mounting hole diameter 22.5 mm

- With pre-wired cable
- Selector with rest positions
- N.B.: Please state required approvals for Russia, China and Brazil with your order!

### Dimensions



### Technical data

Standards	EN 60947-5-1; EN 1088; EN 60079-0; EN 60079-1; EN 60079-31; EN ISO 13849-1
Enclosure	glass-fibre reinforced, shock-proof thermoplastic, self-extinguishing UL 94-V0
Degree of protection	IP 65 according to EN 60529
Contact material	silver
Switching system	slow action, NC contact with positive break $\ominus$
Switching elements	change-over contact with double break Zb, galvanically separated contact bridges
Connection	cable H05VV-F
Cable section	4 x 0.75mm <sup>2</sup>
cable length	1m
B <sub>10d</sub> (10% Load)	60.000
T <sub>M</sub>	max. 20 years
U <sub>imp</sub>	4 kV
U <sub>i</sub>	250 V
I <sub>the</sub>	T6: 6 A; T5: 3 A
I <sub>e</sub> /U <sub>e</sub>	6 A/250 VAC; 0,25 A/230 VDC
Utilisation category	AC-15, DC-13
Max. fuse rating	6 A gL/gG D-fuse
Ambient temperature	T6: -20 °C ... +65 °C; T5: -20 °C ... +95 °C
Mechanical life	> 30.000 operations
Switching frequency	1800/h
Note	Switch must be protected from mechanical damage!
Ex certification	⊕ II 2G Ex d IIC T6/T5 Gb, ⊕ II 2D Ex tb IIIC T80°C/T95°C Db IP65 IECEX Ex d IIC T6/T5 Gb, Ex tb IIIC T80°C/T95°C Db
Approvals	PTB 03 ATEX 1070 X, IECEX PTB 06.0098 X

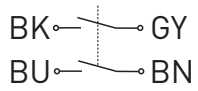


Errors and omissions excepted.

## Ex command devices

// Ex 14 RWC I - 0 ← II-1m    Order no.: 14057303

### Contact diagram



### Switching diagram



### Switching position RWC



Control switch, actuated selector

Left-hand side switching, right-hand side stroke

Switching angle  $-45^\circ +45^\circ$ ; I - 0 ← II