



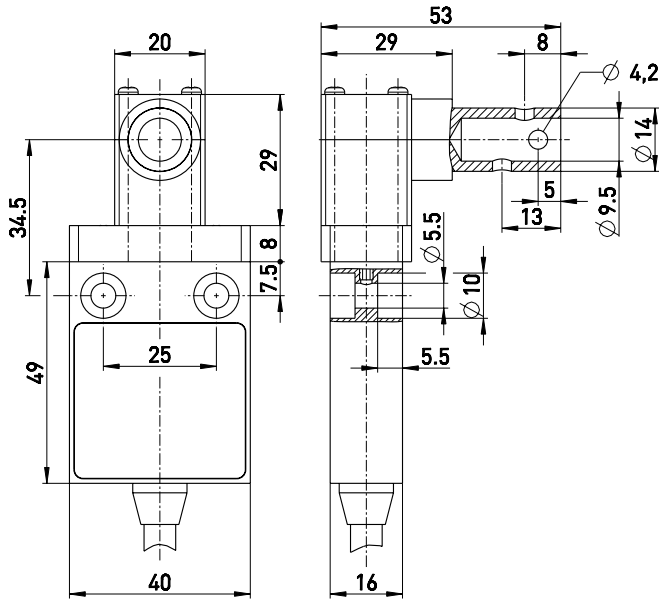
## Ex safety switches for hinged guard doors // Ex 13 SB 10/1S-2m - 9.5 mm Order no.: 13054904

### Features/Options

- Ex zone 1 and 21
- Double insulated
- With pre-wired cable, cable length 2 metre

- Actuating shaft can be turned 360°
- N.B.: Please state required approvals for Russia, China and Brazil with your order!

### Dimensions

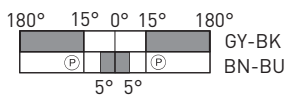


### Technical data

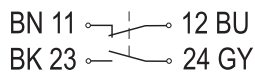
<b>Standards</b>	EN 60947-5-1; EN 1088; BG-GS-ET-15; EN 60079-0; EN 60079-1; EN 60079-31; EN ISO 13849-1
<b>Enclosure</b>	glass-fibre reinforced, shock-proof thermoplastic, self-extinguishing UL 94-V0 IP 65 to IEC/EN 60529
<b>Degree of protection</b>	IP 65 to IEC/EN 60529
<b>Contact material</b>	silver
<b>Switching system</b>	slow action, positive break
<b>Switching elements</b>	NC contacts $\ominus$ change-over contact with double break Zb, galvanically separated contact bridges
<b>Connection</b>	cable H05VV-F, 4 x 0.75 mm <sup>2</sup>
<b>Cable length</b>	2 m
<b>B<sub>10d</sub> (10% Load)</b>	2 million
<b>T<sub>M</sub></b>	max. 20 years
<b>U<sub>imp</sub></b>	4 kV
<b>U<sub>i</sub></b>	250 V
<b>I<sub>the</sub></b>	T6: 6 A, T5: 3 A
<b>I<sub>e</sub>/U<sub>e</sub></b>	6 A/250 VAC; 0.25 A/230 VDC
<b>Utilisation category</b>	AC-15, DC-13
<b>Max. fuse rating</b>	6 A gL/gG D-fuse
<b>Ambient temperature</b>	T6: -20 °C ... +65 °C, T5: -20 °C ... +95 °C
<b>Mechanical life</b>	> 1 million operations
<b>Ex marking</b>	$\text{Ex}$ II 2G Ex d IIC T6/T5 Gb $\text{Ex}$ II 2D Ex tb IIIC T80°C/T95°C Db IP65 IECEx Ex d IIC T5/T6 Gb Ex tb IIIC T80°C/T95°C Db IP65
<b>Approvals</b>	PTB 03 ATEX 1068 X, IECEx PTB 06.0053X

### Switching diagram

Slow action  
1 NC/1 NO contact



### Contact diagram



Errors and omissions excepted.

