



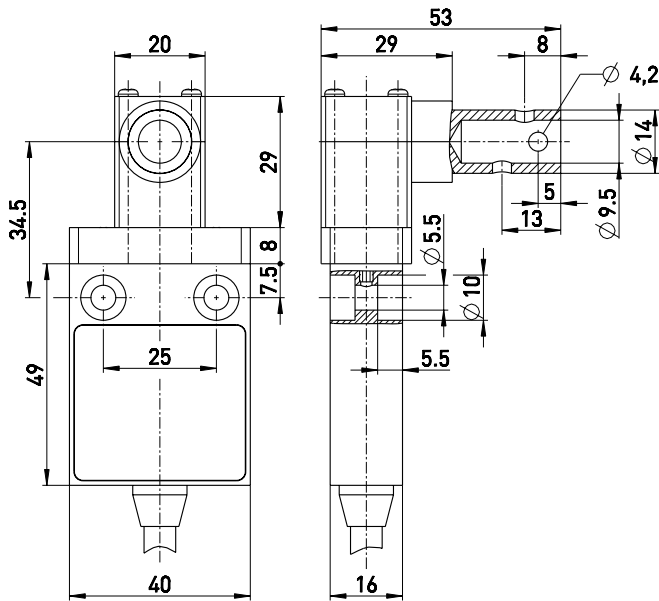
Ex safety switches for hinged guard doors // Ex 13 SB 10/1S-5m - 9.5 mm Order no.: 13054306

Features/Options

- Ex zone 1 and 21
- Double insulated
- With pre-wired cable, cable length 5 metre

- Actuating shaft can be turned 360°
- N.B.: Please state required approvals for Russia, China and Brazil with your order!

Dimensions

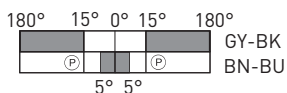


Technical data

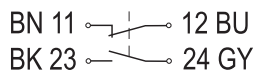
Standards	EN 60947-5-1; EN 1088; BG-GS-ET-15; EN 60079-0; EN 60079-1; EN 60079-31; EN ISO 13849-1
Enclosure	glass-fibre reinforced, shock-proof thermoplastic, self-extinguishing UL 94-V0 IP 65 to IEC/EN 60529
Degree of protection	IP 65 to IEC/EN 60529
Contact material	silver
Switching system	slow action, positive break
Switching elements	NC contacts \ominus change-over contact with double break Zb, galvanically separated contact bridges
Connection	cable H05VV-F, 4 x 0.75 mm ²
Cable length	5 m
B_{10d} (10% Load)	2 million
T_M	max. 20 years
U_{imp}	4 kV
U_i	250 V
I_{the}	T6: 6 A, T5: 3 A
I_e/U_e	6 A/250 VAC; 0.25 A/230 VDC
Utilisation category	AC-15, DC-13
Max. fuse rating	6 A gL/gG D-fuse
Ambient temperature	T6: -20 °C ... +65 °C, T5: -20 °C ... +95 °C
Mechanical life	> 1 million operations
Ex marking	Ex II 2G Ex d IIC T6/T5 Gb Ex II 2D Ex tb IIIC T80°C/T95°C Db IP65 IECEx Ex d IIC T5/T6 Gb Ex tb IIIC T80°C/T95°C Db IP65
Approvals	PTB 03 ATEX 1068 X, IECEx PTB 06.0053X

Switching diagram

Slow action
1 NC/1 NO contact



Contact diagram



Errors and omissions excepted.

