

## Radio position switch

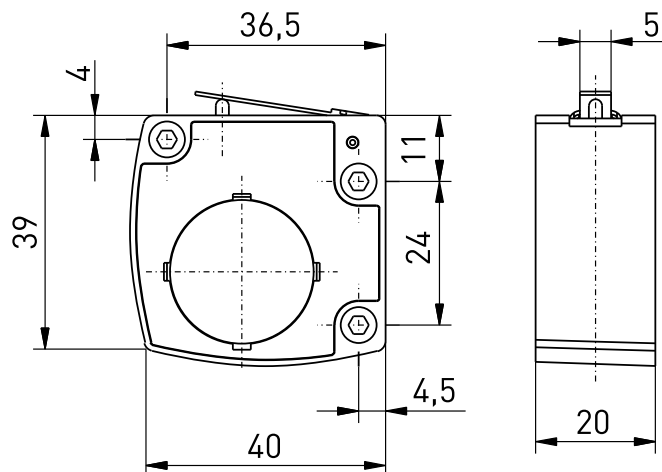
// RF 10 H EN868 Order no.: 10120101

### Features/Options


- Output signal to be configured individually at the receiver
- EnOcean-protocol
- Data rate 120 kbps
- No power supply, no wiring and pipe laying required

- Multi-network capable
- Easy programming of receiver
- Mechanical actuation

### Dimensions



### Technical Data

Standards	IEC/EN 60947-5-1
Enclosure	thermoplastic, polyamid PA 66
Degree of protection	IP 67 per IEC/EN 60529
Protocol	EnOcean
Ambient temperature	-20 °C ... +65 °C
Switching frequency	approx. 9000 telegrams at repetitions/h
Voltage supply	Lithium battery
Frequency	868.3 MHz
Transmission power	max. 10 mW
Data rate	120 kbps
Bandwidth channel	280 kHz
Sensing range	max. 150 m outside, max. 30 m inside
Mechanical life	> 1 million operations
Actuating time	min. 80 ms
Note	no status signal
Approvals	

Errors and omissions excepted.