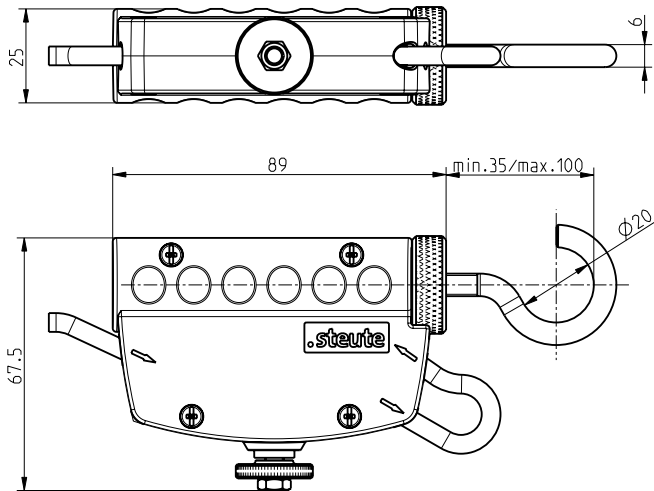


## Accessories for Emergency pull-wire switch // Cable Tensioner System TS 65 Order no.: 04.71.7101

### Features/Options

- Only one tool
- Injury-free
- Ergonomically designed
- Easy to adjust
- Non-slip
- Timesaving
- Order unit: 1 piece

### Dimensions



### Technical data

Housing	Thermoplastic, Ultramid A3X2G5
Tension bolt	Niro 1.4305, X8CrNiS18-9
Setting range	max. 65 mm
Rope diameter	Ø4 - Ø6 mm (wire rope with thermoplastic coating)
Required pull diameter	min. Ø8 mm
Wire length	max. 70 m
Weight	approx. 130 g

### Cable Tensioner System TS 65



Errors and omissions excepted.