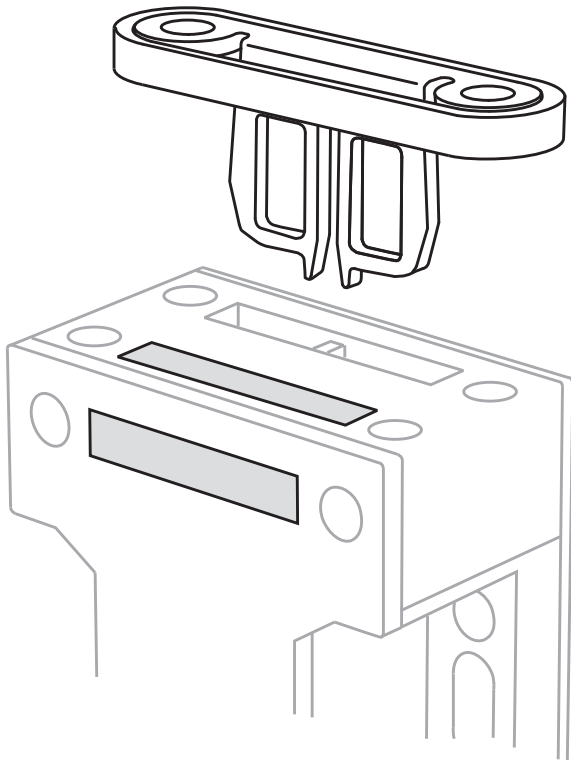


## Accessories for Ex safety switches with separate actuator // Slot sealing plug AZ 15/16-1476 Order no.: 01.08.0202

### Features/Options

- For protection against the ingress of coarse dirt
- To cover unused actuator slots
- Simple clip-in fitting
- Quantity required: 3 per switch, ordering unit: 10 pieces

### Dimensions



Errors and omissions excepted.