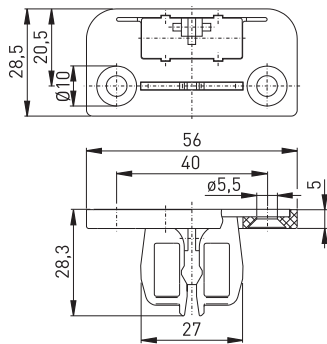


Accessories for Ex safety switches with separate actuator // AZ 15/16-B1-2053 with ball latch Order no.: 01.08.0198

Features/Options

- Actuating radius on hinged guards a = 150 mm and b = 150 mm
- Axial misalignment x = 11 mm
- For interlocking of light to medium-weight guards
- Latching force adjustable up to 100 N

Dimensions



Errors and omissions excepted.