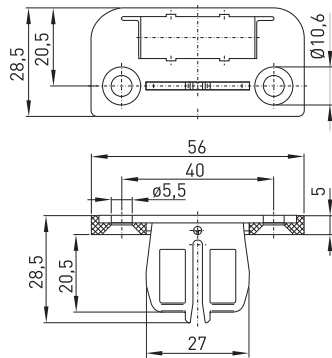


## Accessories for Ex safety switches with separate actuator // AZ 15/16-B1-1747 with magnetic latch    Order no.: 01.08.0196

### Features/Options

- Actuating radius on hinged guards a = 150 mm and b = 150 mm
- axial misalignment x = 5 mm
- For play-free interlocking of light guards, holding force: 30 N
- The magnetic latch can easily be fitted in any actuating plane
- Suitable for retrofitting

### Dimensions



Errors and omissions excepted.