

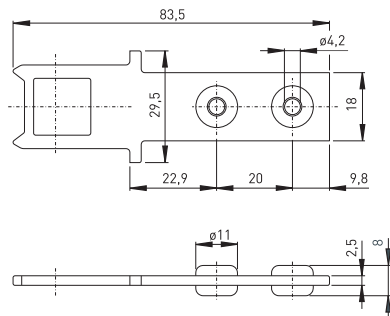
## Accessories for Ex safety switches with separate actuator

// AZ 335/355-B1-2245 straight, with rubber Order no.: 01.08.0157

### Features/Options

- Rubber mounting damps vibrations on guard devices
- Actuating radius on hinged guards a = 900 mm and b = 700 mm
- Axial misalignment x = 52.7 mm

### Dimensions



Errors and omissions excepted.