

LED/Buzzer Combination with acknowledgement function



The audible signal can be turned off in seconds by lightly pressing the front of the product

- LED permanent light with additional continuous tone
- Silence the audible signal by lightly pressing the frontal area
- Life duration up to 50,000 hrs
- Potential-free output for transmission of the acknowledgement signal to the control unit
- Positive and negative logic

Life duration up to 50,000 hrs

TECHNICAL SPECIFICATIONS:

Dimensions (Diameter x Height):	50 mm x 22 mm (Protrusion from panel)
Housing:	PC/ABS-Blend
Lens:	PC, transparent
Connection:	Screw terminal max. 0.5 mm ²
Signal input:	24 V ⁼⁼
Acknowledgement output:	Semiconductor-Relay $U_{max} = 30 V$ $I_{max} = 100 mA$ $R_{ON max} = 25 Ohm$
Tone type:	Continuous
Tone frequency:	c. 2.8 kHz
Duty cycle:	100 %
Life duration:	Up to 50,000 hrs (LED)
Fixing:	Installation mounting for Ø 22,5 mm (M 22 x 1.5 mm) with anti-twist device

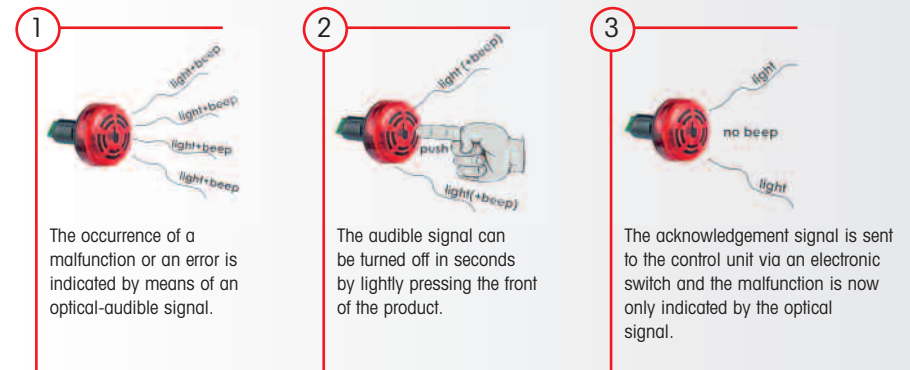
Nut and seal included in assembly.

ORDER SPECIFICATIONS:

Voltage	24 V ⁼⁼
Current consumption	40-80 mA
red	450 100 55
yellow	450 300 55



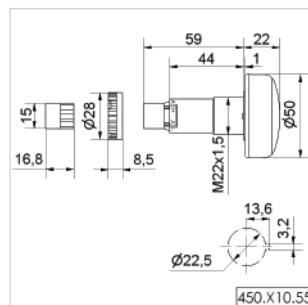
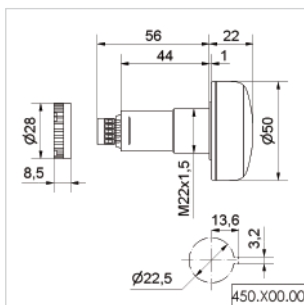
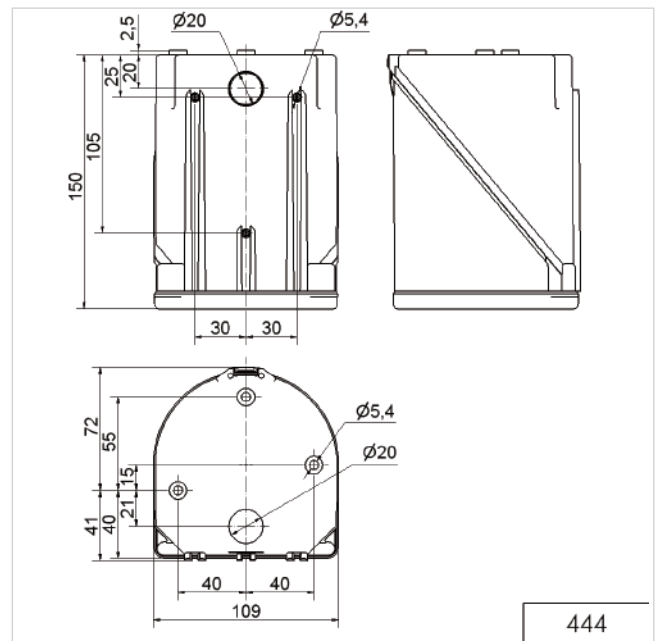
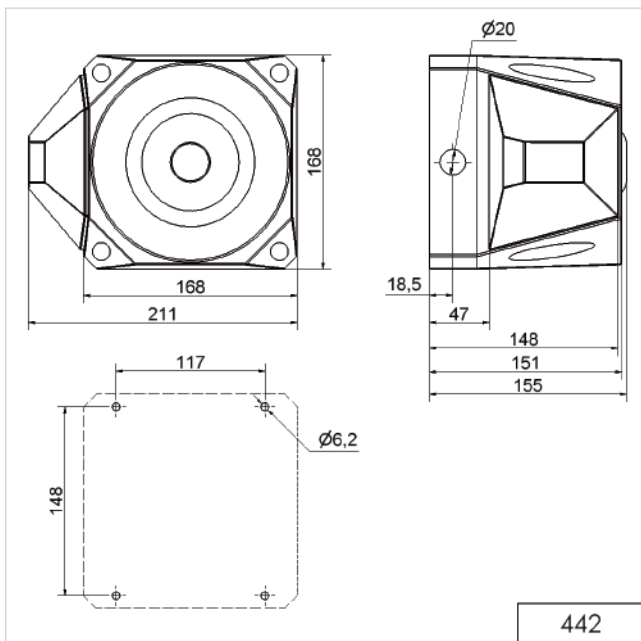
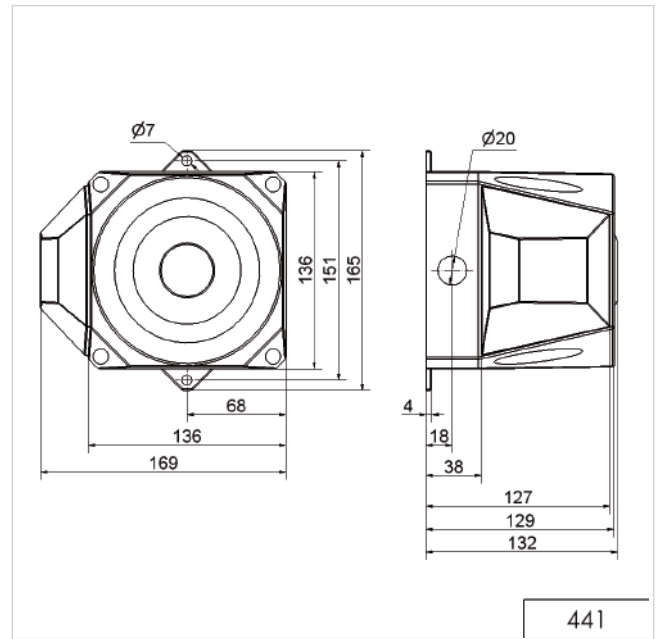
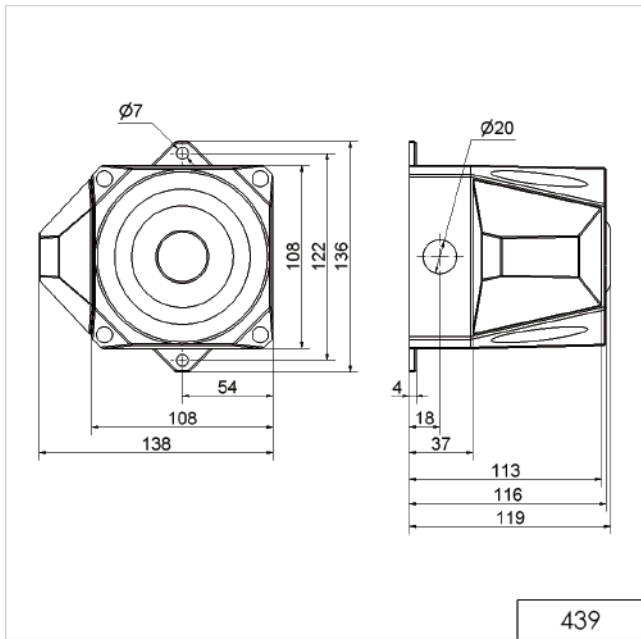
ADDITIONAL INFORMATION:



TECHNICAL DIAGRAMS:

see page 273





! ADDITIONAL INFORMATION:

You are welcome to request the technical diagrams in digital form. The relevant 3D models, instruction leaflets and connection diagrams can be obtained from us or downloaded from our homepage at any time.