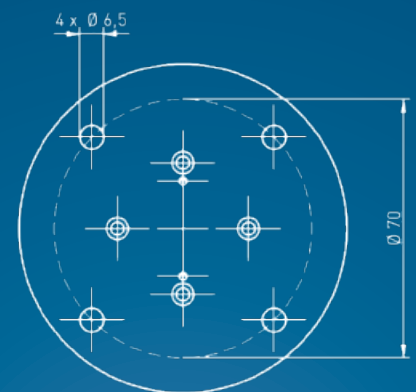


Obstruction light

Technical Data	pro- and ETL-series
Effective luminous intensity	10cd, red 32cd, red
Average life	> 100.000 hours
Illuminants	3 LEDs, red (180°) 6 LEDs, red (360°)
Power consumption	≈ 1,5W (10cd) ≈ 4W (32cd)
Temperature range	-40°C to +50°C
Housing	Anodized Aluminium, seawater resistant
Protection class	IP 67
Dimensions	Ø 50mm, length varies
Weight	≈ 0,5 kg
Power supply	pro-series: 24V DC or 230V AC ETL-series: 200mA constant current
Design	Design and mounting varies depending on intended purpose (magnetical-, trough hole- and screwing fixture)

Approval	AVV, ICAO
Warranty	2 years, 5 years (optional)



Bolt circle of housing, pro-Series



Illustration pro-series (pro10-180)