

PRISMS with  
SYMBOLS'  
STICKERS


FIXING  
HOLES  $\phi 8$

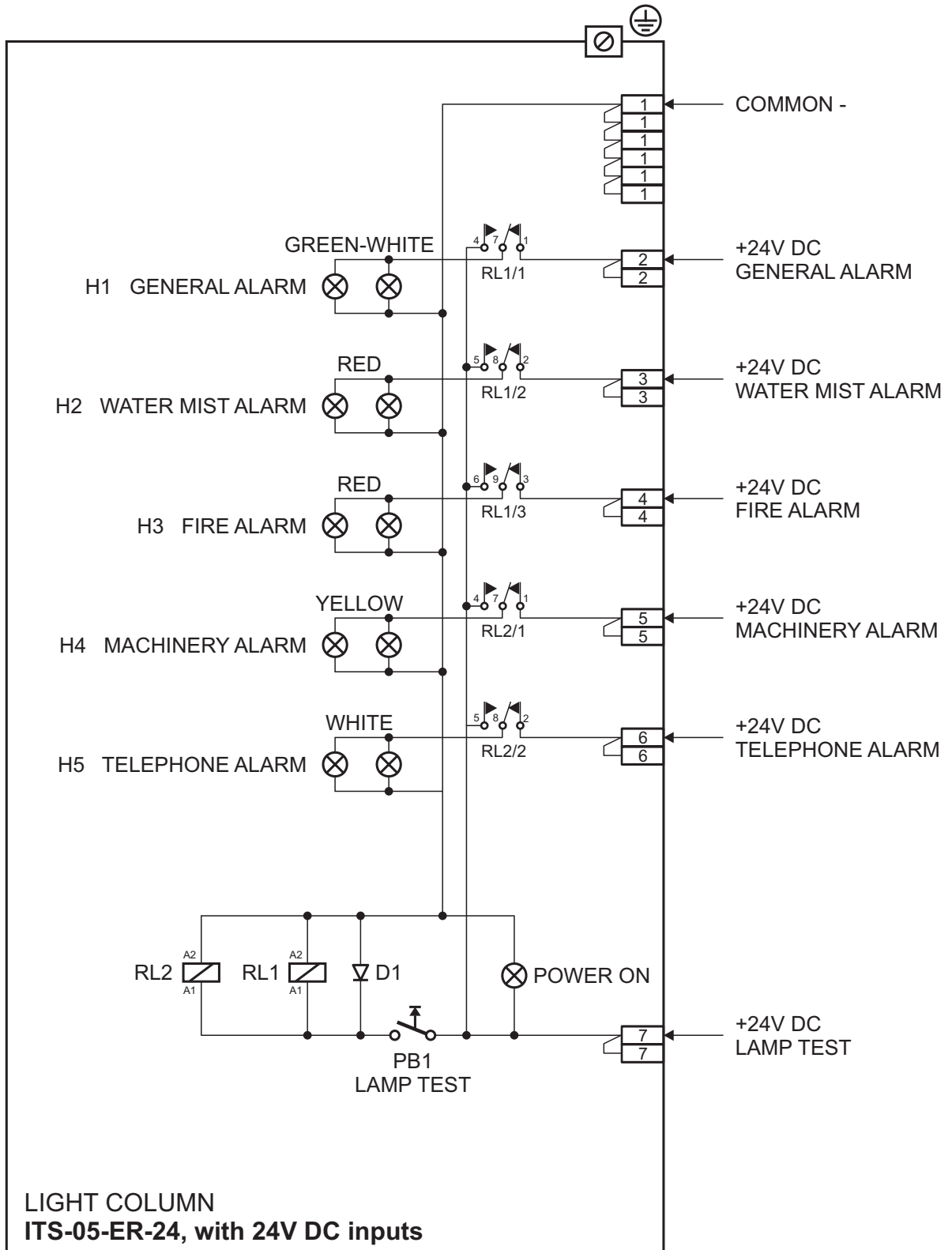
CABLE  
GLANDS  
2 x PG29


TEST/  
POWER ON

HINGES

EARTH  
BOLT

			Date	Name	<b>Title:</b> <b>LIGHT COLUMN type</b> <b>ITS-05-ER-24, with 24V DC inputs</b> Front view and outlines
		Project.			
		Constr.	15.05.14.	Milinović	
		Check			
		 ENGINEERING FOR ELECTRONIC EQUIPMENT AND SYSTEMS			<b>Identity:</b>
Rev	Changes	Date/Sign			
					<b>Page/of</b> 1/2



			Date	Name	<b>Title:</b> <b>LIGHT COLUMN type ITS-05-ER-24, with 24V DC inputs</b> <b>Connection diagram</b>
		Project.			
		Constr.	15.05.14.	Milinović	
		Check			
		 <b>INELTEH</b> <small>ENGINEERING FOR ELECTRONIC EQUIPMENT AND SYSTEMS</small>			<b>Identity:</b>
Rev	Changes	Date/Sign			<b>File:</b> ITS-05-ER-24, conn, Marin Supply, I-14079.cdr
					<b>Page/of</b> 2/2