



- Large signal beacons for powerful signal effectiveness
- High light intensity thanks to optimised lens
- With a multitude of symbols
- Double flash beacon 15 Ws

TECHNICAL SPECIFICATIONS:

Dimensions (Diameter x Height):	150 mm x 147mm	
Housing:	PC/ABS-Blend, grey	
Dome:	PC, transparent	
Socket:	E27 max. 25 W 2 sockets E 14 each with max. 15 W with adhesive stickers E 27 max. 15 W	
Fixing:	Base mounting	
Cable entry:	From top or bottom with cable gland M 20 x 1.5 mm or from the back with rubber grommet Ø 6-12 mm	
Connection:	895 Screw-free clamp mechanism max. 1.5 mm ²	897 Screwable connection max. 2.5 mm ²
Flash frequency:	1 Hz	
Flash energy:	Double flash beacon 15 Ws	
Life duration:	4 x 10 ⁶ flashes	

ORDER SPECIFICATIONS:

PERMANENT BEACON 895

Voltage	12 – 240 V ≈	
red	895 100 00	
green	895 200 00	
yellow	895 300 00	
clear	895 400 00	
blue	895 500 00	

Bulb not included in assembly.

PERMANENT LIGHT WITH TWO SOCKETS (incl. reflector)

Voltage	12 – 240 V ≈	
red	895 110 00	

DOUBLE FLASH LIGHT 897

Voltage	24 V ≈	230 V ≈
Current consumption	800 mA	200 mA
red	897 100 55	897 100 68
yellow	897 300 55	897 300 68

Further colours and voltages on request.

ACCESSORIES:

Fixing bow, additional reflector, Bulbs and LED Bulbs, Adhesive Stickers see Permanent/Traffic Light Beacon (page 147).

TECHNICAL DIAGRAMS:

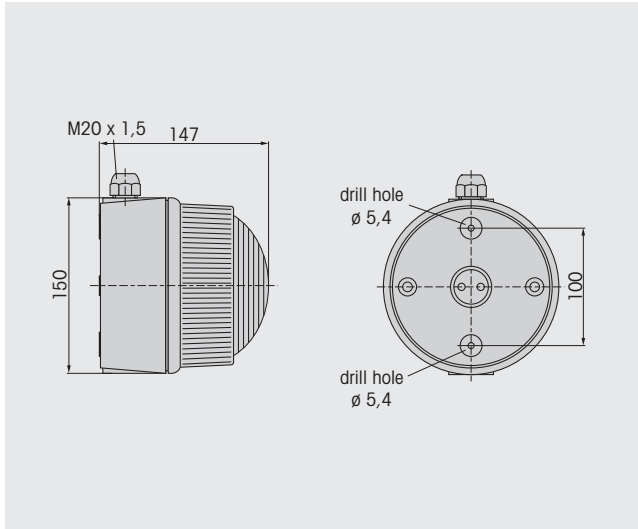
see page 300



Technical Diagrams

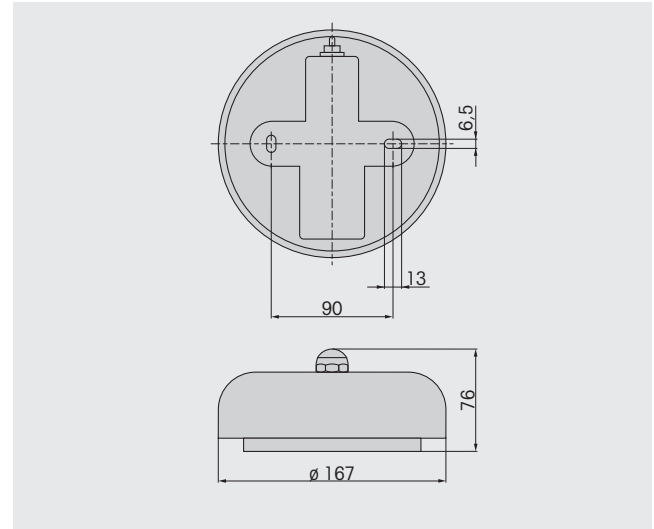
895

Permanent Beacon



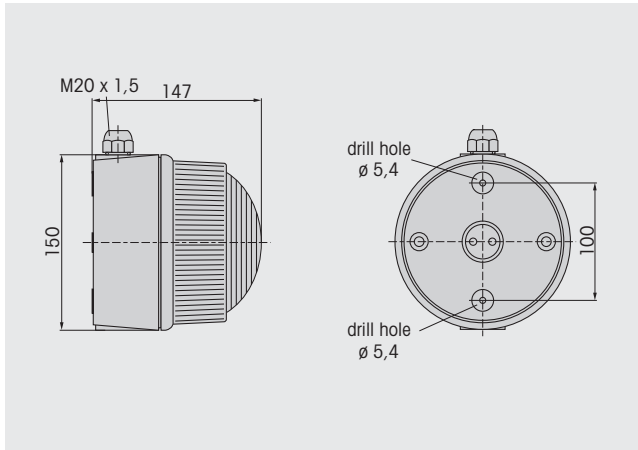
914

Alarm Bell



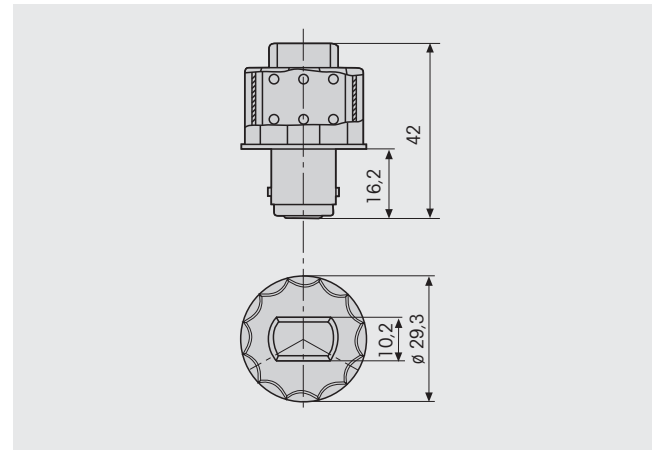
897

Flashing Beacon



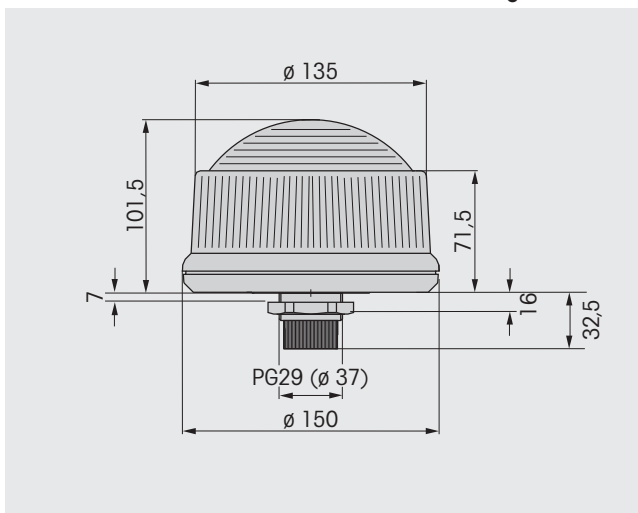
956

LED Bulb



898

Installation Signal Beacon



956

LED Bulb E27

