

- Zone 1 and 2
- Intrinsically safe Ex installation buzzer
- For use with a Zener Barrier
- IP 43 with cap
- Low current consumption
- Continuous tone



Cap (accessory)



Zener Barrier (accessory)

TECHNICAL SPECIFICATIONS:

Dimensions (Ø x Height):	43 mm x 13 mm (Protrusion from panel)			
Housing:	ABS			
Connection:	Spades 6.3 x 0.8 mm			
Audio frequency:	c. 2,400 Hz			
Duty cycle:	100 %			
Explosion protection:	⊕ II 2G Ex ib IIC T4 / T5 / T6			
Approval:	DMT 98 ATEX E 005 X			
Maximum values of the Zener barrier:	Ui: 40 V _~ , li: 660 mA			
Minimum values of the Zener barrier:	for 24 V _~ 15 V _~ / 20 mA			
Maximum Input Power Pi:	Temp.-	Max. surrounding temperature		
	classes	+ 40°C	+ 50°C	+ 60°C
	T4	Pi = 1.3 W	Pi = 1.2 W	Pi = 1.0 W
	T5	Pi = 0.82 W	Pi = 0.66 W	Pi = 0.52 W
	T6	Pi = 0.6 W	Pi = 0.45 W	Pi = 0.3 W



ORDER SPECIFICATIONS:

Voltage	24 V _~
Current consumption	20 mA
	718 000 55

ACCESSORIES:

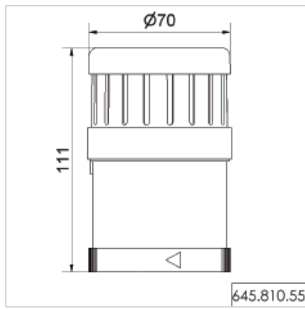
PC/ABS-Blend Cap (IP 43)	975 118 00
Zener Barrier	975 714 01

TECHNICAL DIAGRAMS:

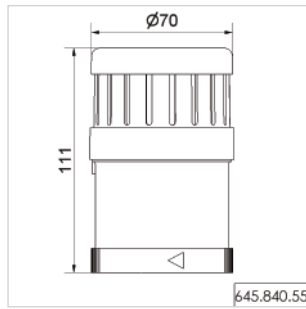
see page 279



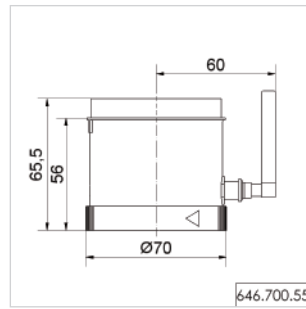
Technical Diagrams



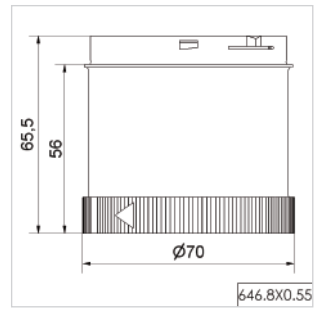
645.810.55



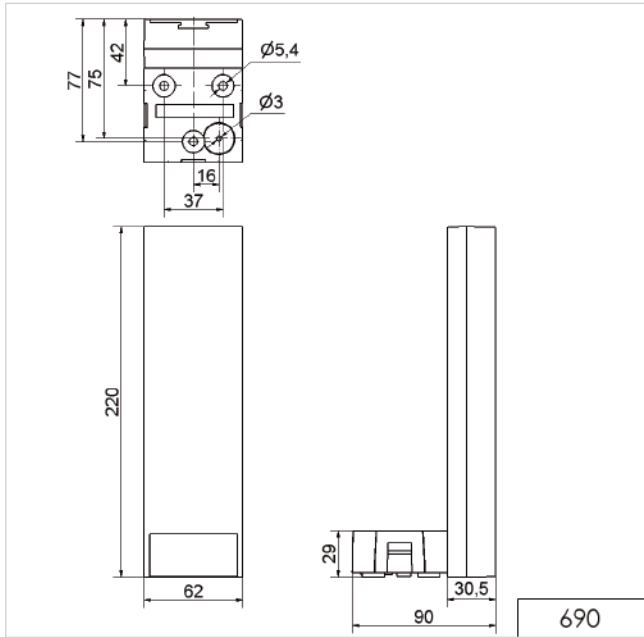
645.840.55



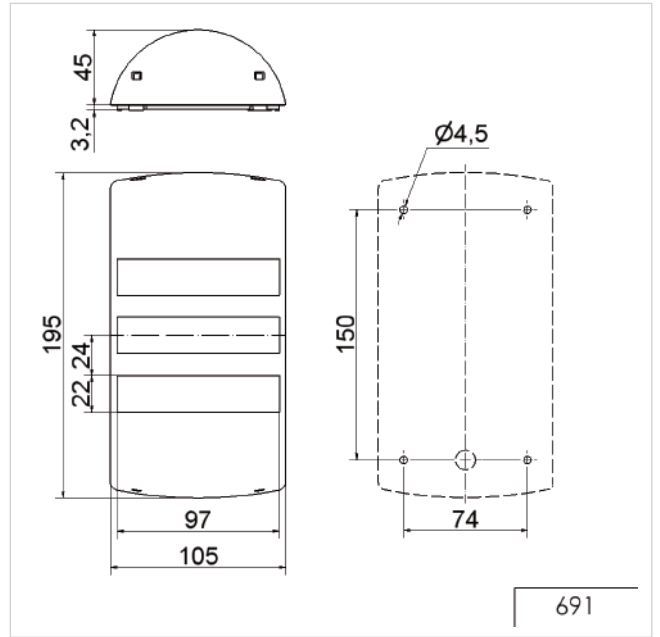
646.700.55



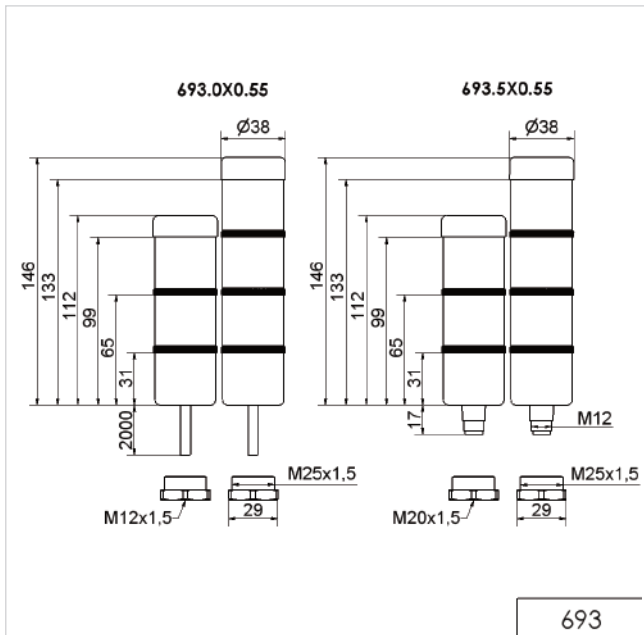
646.8X0.55



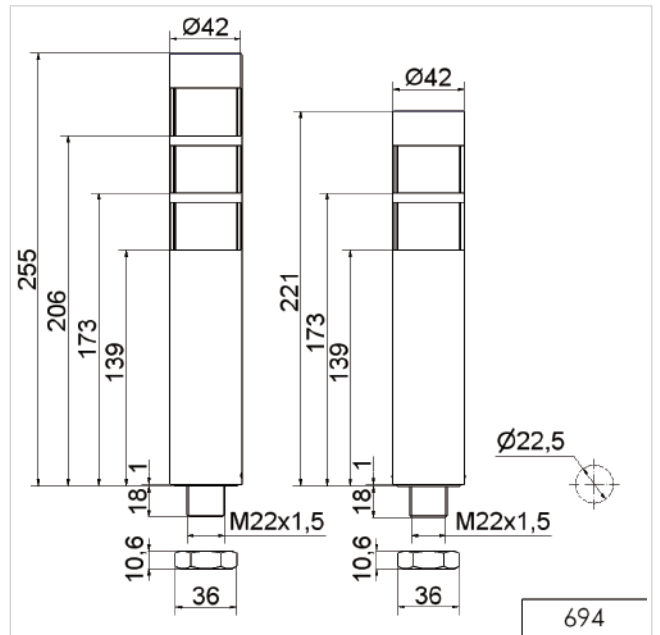
690



691



693



694