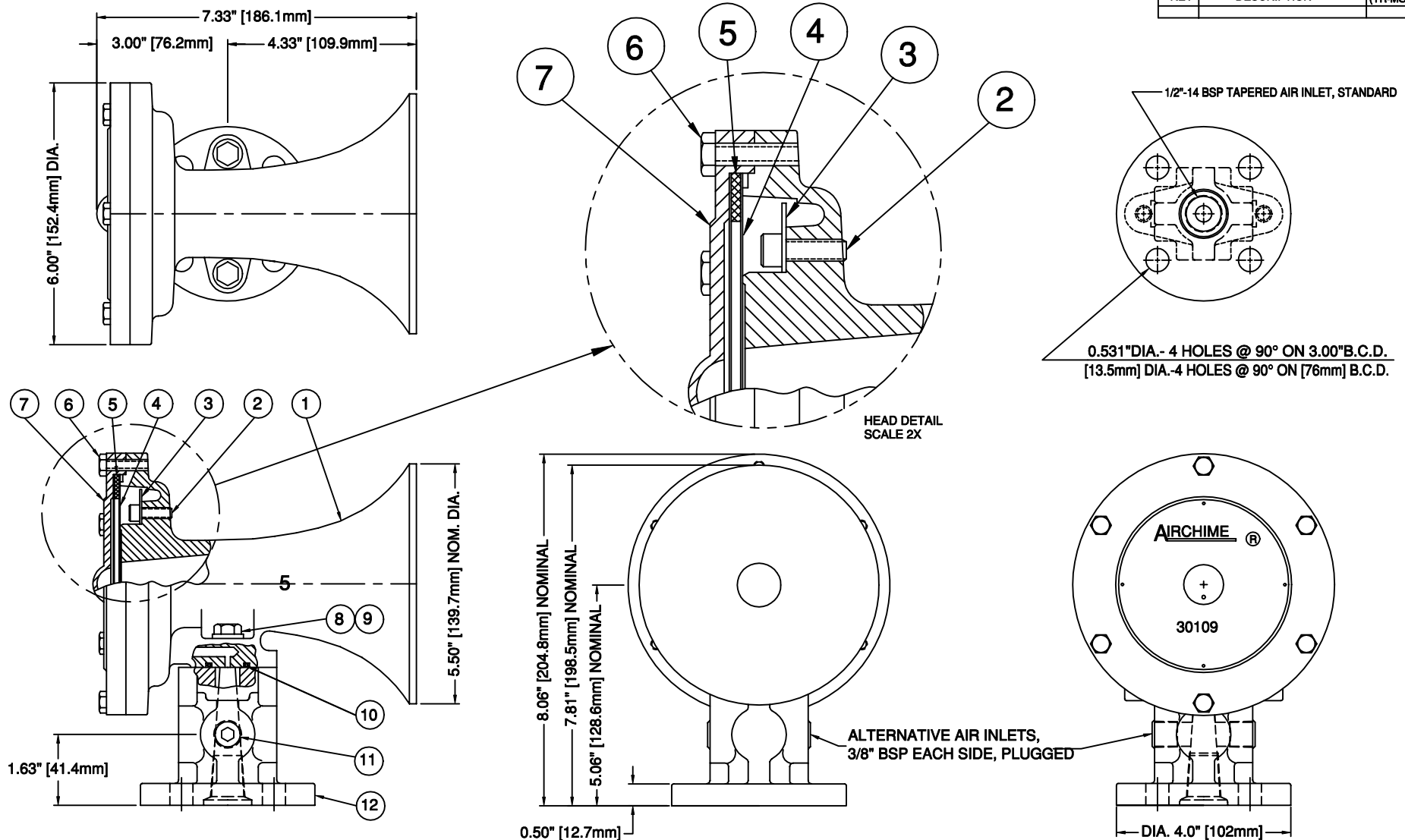



REVISIONS			
REV	DESCRIPTION	DATE (YR-MO-DA)	APPROVED



* RECOMMENDED SPARE PARTS

REF	PART	DESCRIPTION	MATERIAL	SPECIFICATION	QTY
1	30113	BELL BODY No. 5, AS CAST	DIE CAST ALUMINUM	ASTM-B26-65	1
2	30144	SOCKET HD. CAP SCREW	STAINLESS STEEL	ASTM F837	3
3	30143	DIFFUSER	STAINLESS STEEL	UNS-S30400	1
* 4	30111	DIAPHRAGM DISC	STAINLESS STEEL	UNS-S30100	2
* 5	30112	CUSHION RING	SILICONE RUBBER	ASTM D2000	1
6	30110	HEX HEAD CAP SCREW	STAINLESS STEEL	ASTM F593C	6
7	30109	DIAPHRAGM CAP	DIE CAST ALUMINUM	ASTM-B26-65	1
8	30119	HEX HEAD CAP SCREW	STAINLESS STEEL	ASTM F593C	2
9	30122	LOCKWASHER	STAINLESS STEEL	ASA B27.1	2
* 10	30211	O RING	BUNA N	ML STD 417SB	1
11	36914	PIPE PLUG 3/8" B.S.P.	ALLOY STEEL	ASA B18.8	2
12	39117	SINGLE TONE BASE	CAST ALUMINUM	UNS A03562	1

FUNDAMENTAL FREQUENCY: 660 Hz
 ALL DIMENSIONS ARE FOR REFERENCE PURPOSE, UNLESS OTHERWISE SPECIFIED
 FINISH: PRIMED AND PAINTED BLACK ENAMEL.

CONFIDENTIAL INFORMATION CONTAINED HEREIN IS CONFIDENTIAL, IT IS THE PROPERTY OF AIRCHIME MFG. CO. LTD., IT IS TO BE USED SOLELY FOR THE PURPOSE PROVIDED, AND IT IS NOT TO BE DISCLOSED TO OTHERS WITHOUT THE PRIOR WRITTEN CONSENT OF AIRCHIME MANUFACTURING COMPANY LIMITED.	CONTRACT NUMBER		 AIRCHIME MANUFACTURING CO. LTD. LANGLEY, B.C. CANADA V4W 3S8	
	CUSTOMER:			
	DRAWN BY: <i>L.H.F.</i>	DATE (YR-MO-DA) 2001-01-15	MODEL KS-5H SINGLE BELL AIR HORN	
	CHECKER: <i>V.A.M.</i>	ENGINEER <i>R.C.S.</i>		
DRAWING APPROVAL <i>V.A.M.</i>		SIZE A	NSCM 36575	30299
TYPE OF DRAWING ASSEMBLY		SCALE: NONE	UNIT WT: 4.5 LBS	SHEET: 1 OF 1

© CopyRight Airchime Mfg. Co. Ltd.