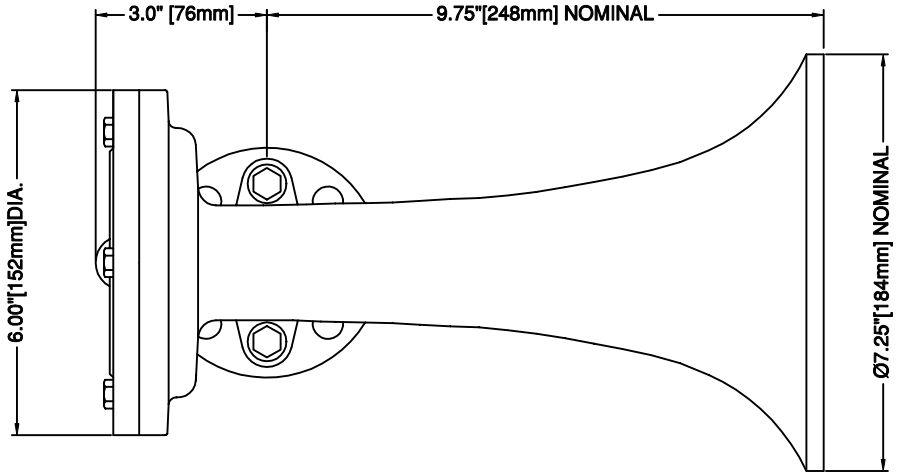
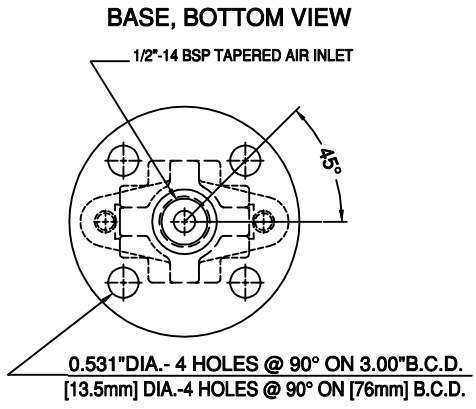
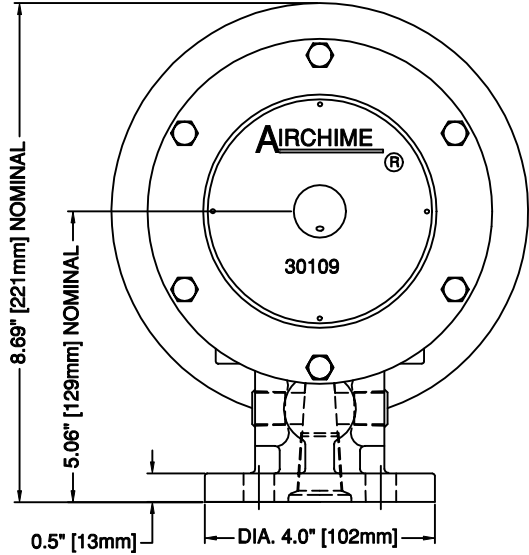
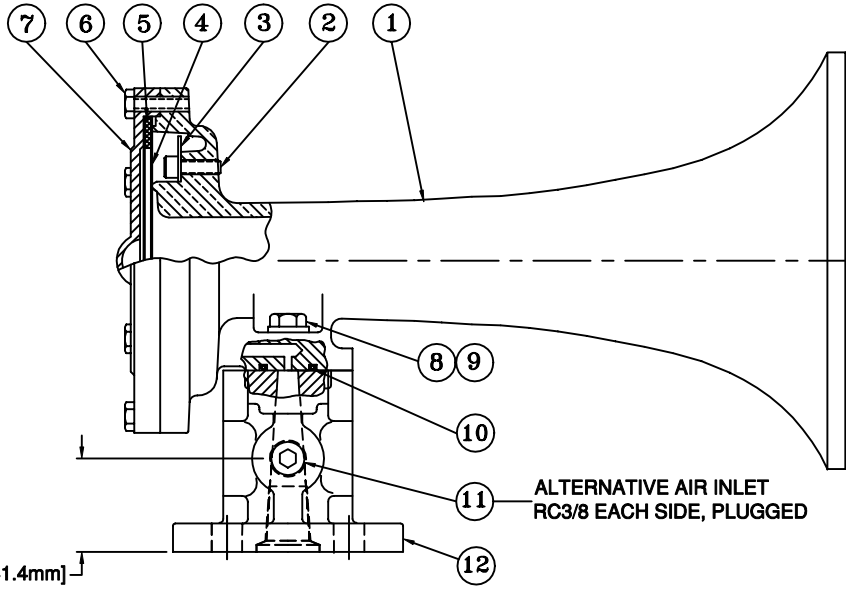


REVISIONS			
REV	DESCRIPTION	DATE (YR-MO-DA)	APPROVED
1	TO CHANGE BASE PROFILE	99-03-04	V. A. 77L




SPL(LOUDNESS):	140 ± 1 dB(C) ALL PASS @ 1 METER
AIR CONSUMPTION:	11.8 L/SEC FREE AIR AT 7 BAR, 20° C
AUDIBILITY:	3 TO 4 KM IN COOL STILL AIR @ 16°C
FUNDAMENTAL FREQUENCY:	370 Hz ± 4%
TONE (MUSICAL NOTE):	'G' FLAT
OPERATING PRESSURE:	1 TO 12 BAR WITHOUT ADJUSTMENT
OPERATING TEMPERATURE:	-40°C TO +85°C
FINISH:	PRIMED AND BLACK TRIMITE SEMI GLOSS



ALL DIMENSIONS ARE FOR REFERENCE PURPOSE, UNLESS OTHERWISE SPECIFIED

REF	PART	DESCRIPTION	MATERIAL	SPECIFICATION	QTY
1	30102	BELL BODY No. 2	DIE CAST ALUMINUM	ASTM-B26-65	1
2	30144	SOCKET HD. CAP SCREW	STAINLESS STEEL	ASTM F594	3
3	30143	DIFFUSER	STAINLESS STEEL	UNS-S30400	1
4	30111	DIAPHRAGM DISC	STAINLESS STEEL	UNS-S30100	2
5	30112	CUSHION RING	SILICONE RUBBER	ASTM D2000	1
6	30110	HEX HEAD CAP SCREW	STAINLESS STEEL	ASTM F593C	6
7	30109	DIAPHRAGM CAP	DIE CAST ALUMINUM	ASTM-B26-65	1
8	30119	HEX HEAD CAP SCREW	STAINLESS STEEL	ASTM F593C	2
9	30122	LOCKWASHER	STAINLESS STEEL	ASA B27.1	2
10	30211	O RING	BUNA N	ML STD 417 SB	1
11	36914	PIPE PLUG 3/8-19 BSP	ALLOY STEEL	COMMERCIAL	2
12	39117	BASE-SINGLE TONE	CAST ALUMINUM	UNS A13562	1

<p><b>CONFIDENTIAL</b></p> <p>INFORMATION CONTAINED HEREIN IS CONFIDENTIAL, IT IS THE PROPERTY OF AIRCHIME MFG. CO. LTD., IT IS TO BE USED SOLELY FOR THE PURPOSE PROVIDED, AND IT IS NOT TO BE DISCLOSED TO OTHERS WITHOUT THE PRIOR WRITTEN CONSENT OF AIRCHIME MANUFACTURING COMPANY LIMITED.</p> <p>© CopyRight Airchime Mfg. Co. Ltd.</p>	CONTRACT NUMBER		 <p><b>AIRCHIME MANUFACTURING CO. LTD.</b> LANGLEY, B.C. CANADA V4W 3S8</p>	
	CONTRACTOR			
	DRAWN BY: <i>L.H.F.</i>	DATE (YR-MO-DA) 98-09-01	<p><b>MODEL KS-2</b></p> <p><b>SINGLE TONE AIR HORN</b></p>	
	CHECKER: <i>D.W.C.</i>	ENGINEER <i>R.C.S.</i>		
DRAWING APPROVAL <i>D.W.C.</i>		SIZE A	NSCM 36575	
TYPE OF DRAWING: <b>ASSEMBLY</b>		<p>SCALE: NONE    UNIT WT: 2.8 Kg    SHEET: 1 OF 1</p>		