

AB121LDA Alarm Sounder & L.E.D Beacon

The AB121LDA combines a heavy duty 126dB(A) alarm sounder with a powerful multi-function L.E.D beacon.

The beacon and sounder can be operated from the same power source or controlled individually.

Features:

- Automatic synchronisation on multi-sounder system.
- Continuously rated.
- Stainless steel fixings.
- Unit can be mounted using external lugs or internal BESA compatible fixing positions.
- Duplicate cable terminations (in & out for daisy-chain installations).
- Tropicalisation available on request.
- Available with custom tone configurations and frequencies.
- 'Programmable' version available:
 - 45 alarm tones
 - 4 remotely selectable stages
 - Any tone can be assigned to any stage
 - User configurable continuous frequency tone

Approvals:

- Alarm sounder (A121) VdS approved to EN54-3 (CPD 89/106/EEC).
- UKOOA/PFEER compliant alarm tones.

Part codes:

Version:	Part code:
24V dc	AB121LDADC24[x]/[y]
48V dc	AB121LDADC48[x]/[y]
115V ac	AB121LDAAC115[x]/[y]
230V ac	AB121LDAAC230[x]/[y]
[x] = Housing:	G: Grey, R: Red
[y] = Lens:	A: Amber, B: Blue, C: Clear G: Green R: Red, Y: Yellow

Suffix part number with '-P' for programmable, 4 stage, 45 tone version.

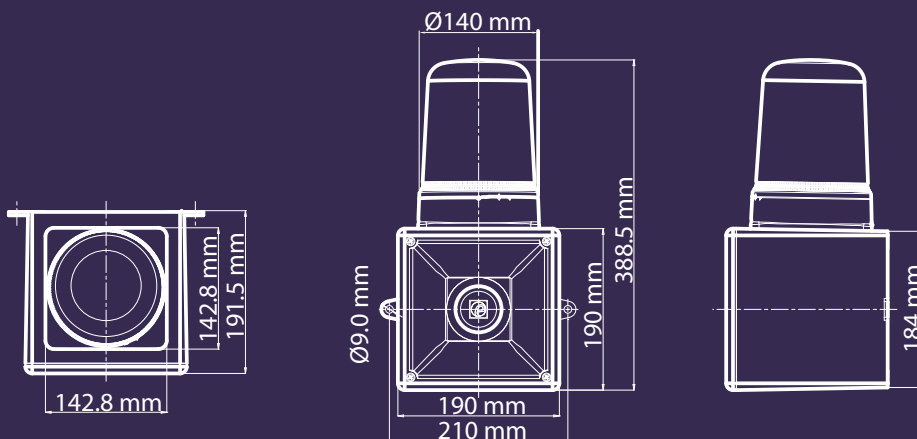


0786-CPD-20257



G205121



**Alarm sander:**

Version:	Voltage range:	Current mA:
24V dc	10-30V dc	950mA*
48V dc	35-60V dc	600mA*
115V ac 50/60Hz	+/-10%	240mA
230V ac 50/60Hz	+/-10%	120mA

* current at nominal voltage on Tone 2

L.E.D. beacon:

Version:	Voltage range:	Current mA:
24V dc	10-50V dc	400mA*
48V dc	10-50V dc	400mA*
115V ac 50/60Hz	+/-10%	140mA
230V ac 50/60Hz	+/-10%	70mA

* current at 24V dc

Mode: Stage 1	Stage2 [DC only]	Stage3 [DC only]
1 All L.E.D's on	Alternate Side Flash 2Hz	Double Strike Flash 2Hz
2 Rotating: Slow1	Alternate Side Flash 2Hz	All L.E.D's on
3 Single Strike Flash 2Hz	Rotating: Fast 2	All L.E.D's on
4 Rotating: Fast 1	Single Strike Flash 2Hz	All L.E.D's on
5 Rotating: Slow 2	Double Strike Flash 1Hz	All L.E.D's on
6 Double Strike Flash 2Hz	Rotating: Fast 2	All L.E.D's on
7 Rotating: Fast 2	Double Strike Flash 2Hz	All L.E.D's on
8 Double Strike Flash 1Hz	Alternate Side Flash 2Hz	All L.E.D's on
9 Alternate Side Flash 2Hz	Rotating: Fast 2	All L.E.D's on

Specification:

Sounder:	
Maximum output:	126dB(A) @ 1 metre
Nominal output:	121dB(A) @ 1m +/- 3dB - Tone 2
No. of tones:	45 (UKOOA / PFEER compliant)
No. of stages:	3
Volume control:	Max. 121dB(A); Min.112dB(A) - Tone 2
Effective range:	300m @ 1KHz

Beacon:

Light source:	Array of 32 multi-function high power L.E.D's
Operating modes:	4 rotating configurations 4 flashing configurations Steady mode for indicator / status applications
Peak Candela:	30 cd*
No. of stages:	DC unit also features a remotely selectable 2nd and 3rd stage flash pattern.
L.E.D / lens colours:	Amber, Blue, Clear (white L.E.D.s), Green, Red & Yellow

General:

Voltages DC:	24V dc (10-30V dc); 48V dc (35-60V dc)
Voltages AC:	115V ac; 230V ac
Ingress protection:	IP65
Housing material:	High impact UL94 V0 & 5VA FR ABS
Lens material:	UV stable PC UL94 V0 FR Bayonet lensfixing , Anti-tamper locking screw.
Colour:	Red (RAL3000) & Grey (RAL7038)
Cable entries:	2 x M20 clearance gland entries in side & back
Terminals:	0.5 to 4.0mm ² cables.
Operating temperature:	-25 to +55°C
Storage temperature:	-40 to +70°C
Relative humidity:	90% at 20°C.
Weight :	DC: 2.10kg AC:2.70kg

*Candela measurements representative of performance with amber lens at optimum voltage.

*SPL data +/-3dB(A). Measured at optimum voltage.

Tone table:

Stage 1	Frequency Description	dB @ 1m	Stage 2	Stage 3
Tone 1	340 Hz Continuous	113dB(A) @ 1m	Tone 2	Tone 5
Tone 2	800/1000Hz @ 0.25 sec Alternating - BS5839 Alarm tone	121dB(A) @ 1m	Tone 17	Tone 5
Tone 3	500/1200Hz @ 0.3Hz 0.5 sec Slow Whoop - NEN 2575:2000	121dB(A) @ 1m	Tone 2	Tone 5
Tone 4	800/1000Hz @ 1Hz Sweeping	121dB(A) @ 1m	Tone 6	Tone 5
Tone 5	2400Hz Continuous	125dB(A) @ 1m	Tone 3	Tone 20
Tone 6	2400/2900Hz @ 7Hz Sweeping	123dB(A) @ 1m	Tone 7	Tone 5
Tone 7	2400/2900Hz @ 1Hz Sweeping	125dB(A) @ 1m	Tone 10	Tone 5
Tone 8	500/1200/500Hz @ 0.3Hz Sweeping	121dB(A) @ 1m	Tone 2	Tone 5
Tone 9	1200/500Hz @ 1Hz - DIN / PFEER P.T.A.P.	121dB(A) @ 1m	Tone 15	Tone 2
Tone 10	2400/2900Hz @ 2Hz Alternating	126dB(A) @ 1m	Tone 7	Tone 5
Tone 11	1000Hz @ 1Hz Intermittent	121dB(A) @ 1m	Tone 2	Tone 5
Tone 12	800/1000Hz @ 0.875Hz Alternating	121dB(A) @ 1m	Tone 4	Tone 5
Tone 13	2400Hz @ 1Hz Intermittent	125dB(A) @ 1m	Tone 15	Tone 5
Tone 14	800Hz 0.25sec on, 1 sec off Intermittent	120dB(A) @ 1m	Tone 4	Tone 5
Tone 15	800Hz Continuous	120dB(A) @ 1m	Tone 2	Tone 5
Tone 16	660Hz 150mS on, 150mS off Intermittent	118dB(A) @ 1m	Tone 18	Tone 5
Tone 17	544Hz (100mS)/440Hz (400mS) - AFNOR NF S 32-001	117dB(A) @ 1m	Tone 2	Tone 27
Tone 18	660Hz 1.8sec on, 1.8sec off Intermittent	118dB(A) @ 1m	Tone 2	Tone 5
Tone 19	1.4KHz-1.6KHz 1s, 1.6KHz-1.4KHz 0.5s - AFNOR NFC48-265	126dB(A) @ 1m	Tone 2	Tone 5
Tone 20	660Hz Continuous	118dB(A) @ 1m	Tone 2	Tone 5
Tone 21	554Hz/440Hz @ 1Hz Alternating	118dB(A) @ 1m	Tone 2	Tone 5
Tone 22	544Hz @ 0.875 sec. Intermittent	118dB(A) @ 1m	Tone 2	Tone 5
Tone 23	800Hz @ 2Hz Intermittent	120dB(A) @ 1m	Tone 6	Tone 5
Tone 24	800/1000Hz @ 50Hz Sweeping	120dB(A) @ 1m	Tone 29	Tone 5
Tone 25	2400/2900Hz @ 50Hz Sweeping	124dB(A) @ 1m	Tone 29	Tone 5
Tone 26	Bell	118dB(A) @ 1m	Tone 2	Tone 15
Tone 27	554Hz Continuous	117dB(A) @ 1m	Tone 26	Tone 5
Tone 28	440Hz Continuous	117dB(A) @ 1m	Tone 2	Tone 5
Tone 29	800/1000Hz @ 7Hz Sweeping	121dB(A) @ 1m	Tone 7	Tone 5
Tone 30	300Hz Continuous	114dB(A) @ 1m	Tone 2	Tone 5
Tone 31	660/1200Hz @ 1Hz Sweeping	121dB(A) @ 1m	Tone 26	Tone 5
Tone 32	Two tone chime.	118dB(A) @ 1m	Tone 26	Tone 15
Tone 33	745Hz @ 1Hz Intermittent	116dB(A) @ 1m	Tone 2	Tone 5
Tone 34	1000 & 2000Hz @ 0.5 sec Alternating - Singapore	121dB(A) @ 1m	Tone 38	Tone 45
Tone 35	420Hz @ 0.625 sec Australian Alert - AS2220	118dB(A) @ 1m	Tone 36	Tone 5
Tone 36	500-1200Hz 3.75sec /0.25sec. Australian Evac. - AS2220	121dB(A) @ 1m	Tone 35	Tone 5
Tone 37	1000Hz Continuous - PFEER Toxic Gas	121dB(A) @ 1m	Tone 9	Tone 45
Tone 38	2000Hz Continuous	122dB(A) @ 1m	Tone 34	Tone 45
Tone 39	800Hz 0.25sec on, 1 sec off Intermittent	120dB(A) @ 1m	Tone 23	Tone 17
Tone 40	544Hz (100mS)/440Hz (400mS) - AFNOR NF S 32-001	121dB(A) @ 1m	Tone 31	Tone 27
Tone 41	Motor Siren - slow rise to 1200 Hz	122dB(A) @ 1m	Tone 2	Tone 5
Tone 42	Motor Siren - slow rise to 800 Hz	121dB(A) @ 1m	Tone 2	Tone 5
Tone 43	1200 Hz Continuous	122dB(A) @ 1m	Tone 2	Tone 5
Tone 44	Motor Siren - slow rise to 2400 Hz	124dB(A) @ 1m	Tone 2	Tone 5
Tone 45	1KHz 1s on, 1s off Intermittent - PFEER Gen. Alarm	121dB(A) @ 1m	Tone 38	Tone 34

Country specific or custom tone configurations and alarm frequencies are available upon request.