

MBX05 Xenon Strobe Beacon

The MBX05 is a 5 Joule Xenon strobe beacon featuring a robust, fire retardant, IP66 & IP67 enclosure; suitable for harsh environments.

The 'M' series of products have been designed to withstand the harshest of environments. Constructed from lightweight, impact and fire resistant ABS, the range features stainless steel, ratchet adjustable mounting brackets and has been third party tested to IP66/67.

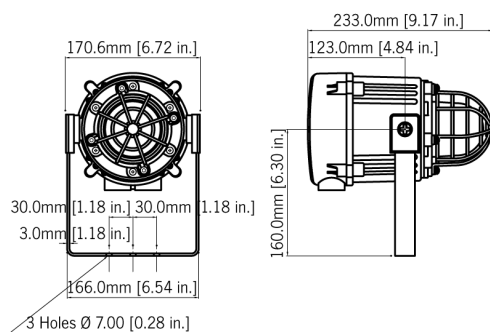
Features

- Automatic synchronisation on multi-beacon system.
- Beacons can be set to 'flip-flop' alternating mode with other units on multi-beacon systems.
- Xenon tubes mechanically secured against shock & vibration
- Glass lens & Stainless Steel guard
- Very large termination area.
- Dual M20 cable entries - adaptors available.
- Stopping plug included.
- Ratchet adjustable stainless steel 'U' bracket.
- Reverse polarity diode fitted.
- Ingress protection IP66/67 Type 4/4X/13
- 120 effective candela light intensity.
- 39,463 peak candela light intensity.
- UV stable PC, field replaceable, colour lens filter.

Approvals

- GOST-R certificate: POCC GB.JB05.H00144.





Specification

Energy:	5 Joules (5Ws)
Flash rate:	1Hz (60 fpm)
Peak Candela:	500,000 cd - calculated from energy (J)
Eff. Intensity cd:	250 cd - calculated from energy (J)
Peak Candela:	39,463 cd* - measured ref. to I.E.S.
Eff. Intensity cd:	120 cd* - measured ref. to I.E.S.
Lens colours:	Amber, Blue, Clear, Green, Red & Yellow
Voltages DC:	12vdc; 24vdc; 48vdc
Voltages AC:	115vac; 230vac
Ingress protection:	IP66/67 Type 4/4X/13
Housing material:	High impact UL94 V0 & 5VA FR ABS
Colour:	Grey (RAL7038)
Cable entries:	Dual M20x1.5 or 1/2"NPT
Lens material:	Borosilicate glass dome with PC prismatic lens cover.
Guard:	Stainless Steel dome guard as standard
Terminals:	0.5 - 2.5mm ² (20-14 AWG)
Operating temp:	-25 to +55°C [-13° to +131°F]
Storage temp:	-40 to +70°C [-40 to +158°F]
Relative humidity:	90% at 20°C [68°F]
Weight:	1.48kg/3.25lbs
*Candela measurements representative of performance with clear lens at optimum voltage.	

Part Codes

Part Code:	Ident.:	Description:
Product type:	MBX05	Xenon Strobe Beacon
Voltage:	AC115	115V ac 50/60Hz
	AC230	230V ac 50/60Hz
	DC012	12V dc (10-14V dc)
	DC024	24V dc (20-28Vdc)
	DC048	48V dc (42-54V dc)
Cable entries: [e]	A	M20x1.5 & ½" NPT
	B	M20x1.5 & M20x1.5
	C	½" NPT & ½" NPT
Stopping plug material: [m]	N	Nylon
Bracket & Guard: [s]	1	304 (A2) Stainless Steel
	2	316 (A4) Stainless Steel
Version: [v]	A1	CE, EAC & Russian Maritime
Enclosure: [x]	G	Grey
Lens colour: [y]	A, B, C	Amber, Blue, Clear
	G, M, R	Green, Magenta, Red
	Y	Yellow

e.g: MBX05DC024BN1A1G/R MBX05 Xenon Beacon in 24Vdc with dual M20 entries, nylon stopping plug, CE, EAC & RMRS compliant Grey enclosure with Red lens

Also available as the MC1X05 combined alarm sounder and Xenon beacon and the MC1LD2 combined alarm sounder and LED beacon.

NOTE: The MBX05 supersedes the MB005, maintaining compatibility with existing installations.

Current Consumption

Version:	Voltage:	Current mA:
12V dc	10-14V dc	750mA
24V dc	20-28V dc	270mA
48V dc	42-54V dc	180mA
115V ac	50/60Hz +/-10%	140mA
230V ac	50/60Hz +/-10%	55mA