

# BExSH1 Signalling Hooter

The BExSH1 produces a powerful, low frequency warning tone for applications where a traditional buzzer sound is required. Ideally suited for warning, calling and indicating purposes in zone 1 and 2 environments, the signalling hooter produces a sound volume of approx. 108 dB(A) at 1 m distance.

E2S also offer the 'Hootronic' range which offers the same sound from an all-electronic solution.

## Part codes:

| Version: | Part Code:   |
|----------|--------------|
| 24V dc   | BExSH1DC24B  |
| 115V ac  | BExSH1AC115B |
| 115V dc  | BExSH1DC115B |
| 230V ac  | BExSH1AC230B |

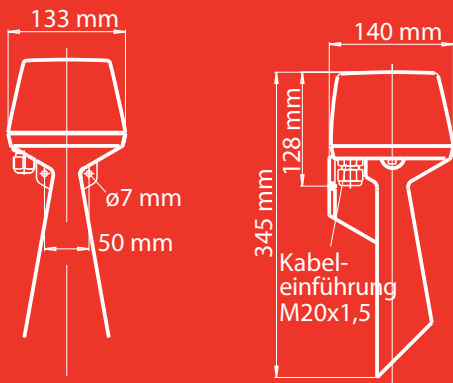
## Features:

- The driver system consists of a strong, non-polarised electromagnet, whose striker hits the diaphragm between 100 and 120 times a second. All DC versions are equipped with an electronic contact breaker.

## Approvals:

- ATEX II 2G Ex e mb II T4





### Specification:

|                        |  |
|------------------------|--|
| Specification:         |  |
| Approval:              | ATEX   |
| Coding:                | II 2G Ex e mb II T4                              |
| Output:                | approx. 108dB(A) @ 1m                            |
| Operating temperature: | -20°C to +70°C                                   |
| Operating conditions:  | Indoors and Outdoors                             |
| Operating position:    | Position downwards                               |
| Voltages DC:           | 24V dc; 115V dc                                  |
| Voltages AC:           | 115V ac; 230V ac                                 |
| Ingress protection:    | IP54   |
| Housing material:      | PC   |
| Colour:                | Black  |
| Safety:                | Class II<br>(no equipotential bonding necessary) |

### Current consumption:

| Version:                  | Voltage range: | Current: |
|---------------------------|----------------|----------|
| 24V dc                    | +10/-10%       | 0.30A    |
| 115V ac 50Hz              | +10/-10%       | 0.15A    |
| 230V ac 50Hz              | +10/-10%       | 0.07A    |
| Other voltages on request |                |          |

\*SPL data +/-3dB(A). Measured at optimum voltage.