

These bases are for the mounting of electronic or electric components. They can either be screwed onto a mounting plate or snapped onto 35 mm DIN support rails.

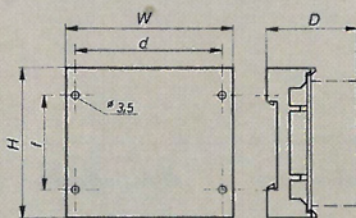
Design

Circuit boards can either be snapped onto the bases or they can be screwed additionally with 2.2 mm self-tapping screws. They are fixed to the base with 2 mm bolts and a hole in the circuit board. These bases provide the user with the possibility of creating any size of mounting planes by lining up several units. The bases are connected by screwing or snapping on the circuit board.

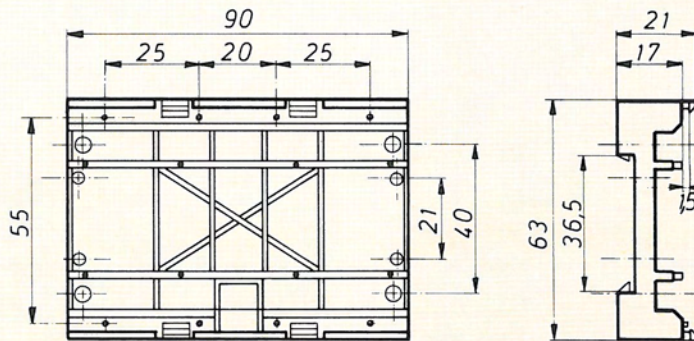
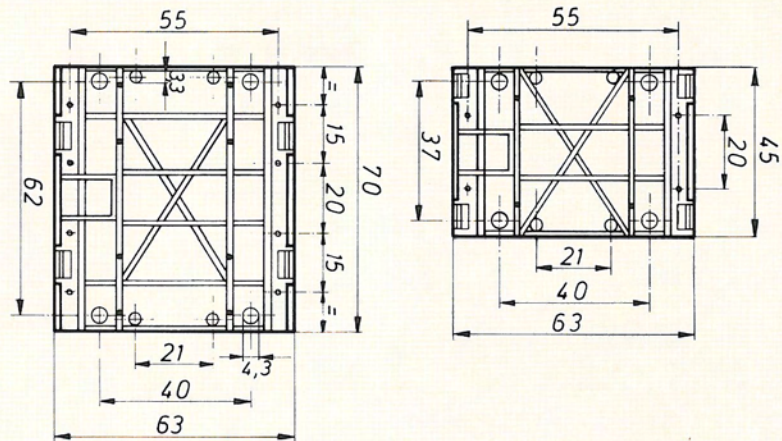
The bases can be screwed onto a mounting plate or snapped onto 35 mm support rails, DIN 46277 sheet 3 and DIN-EN 50022.

Technical data

- Material Polystyrene, highly non-flammable
 To VDE 0209
- Color Black
- Holes For the attachment of the base to the
 mounting plate with screws M 3 x 10
- Holes Ø 2 mm for the additional circuit board
 attachment with self-tapping screws 2.2 x 6.5



Dimensions			
W	H	d	f
45		37	
70	63	62	40
90		82	



Material	Color	Dimension B	Ordering code
Polystyrene	Black	45 mm	0850-4500-00-30
		70 mm	0850-7000-00-30
		90 mm	0850-9000-00-30

Specifications subject to modifications