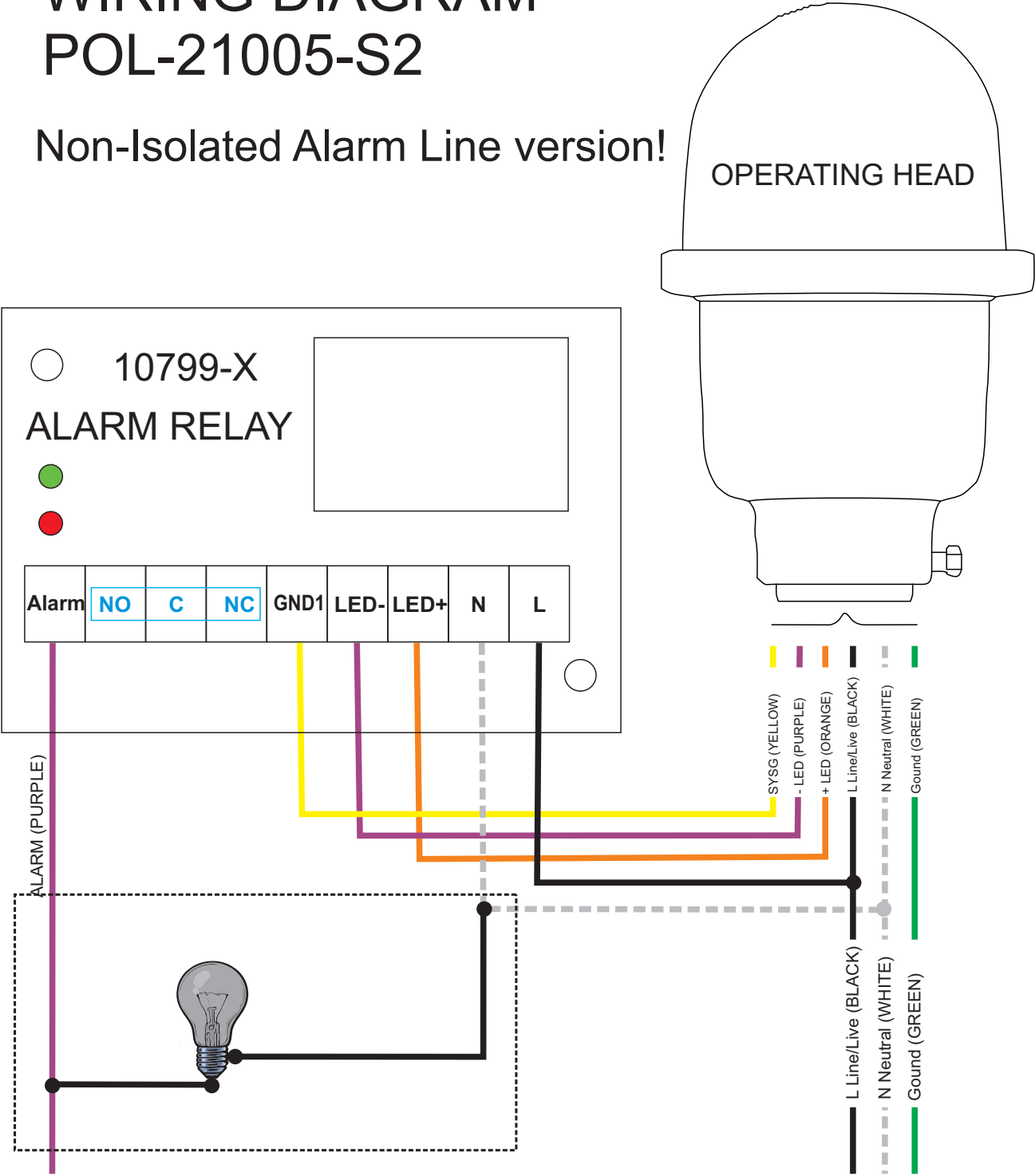




WIRING DIAGRAM POL-21005-S2

Non-Isolated Alarm Line version!



Upon failure, an alarm relay activates a remote alarm line powered by the POL's normal line voltage.

 ● NO: Normally Open Alarm Contact
 ● Closes When Alarm is Triggered

NO C NC

Please Note:

The «NO», «C» and «NC» terminals is not in use on a POL unit with Non-Isolated Alarm Line!