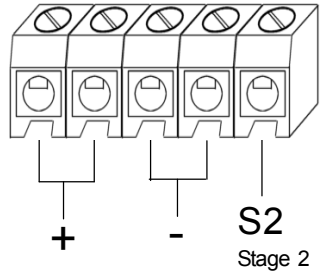




SON F1 High Output - 10 Tone 'Sonora'

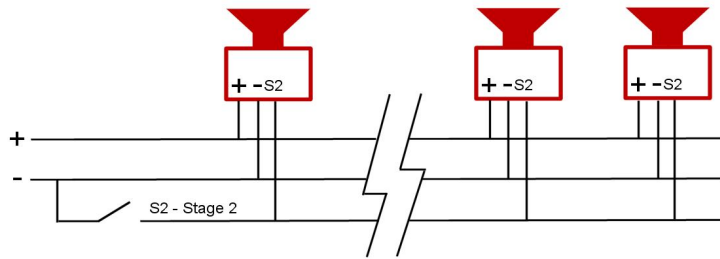


Voltage : 12vdc 24vdc

Voltage range : 10-18vdc 18-30vdc

Current mA : 35mA 60mA*

* Current at nominal voltage on Tone 1.



SONF1-HO 24vdc unit is CPD Compliant.		EN54-3	Type B	IP55
Stage1 tone	Frequency Description	The tones listed have been tested to EN54-3 and are compliant with the Construction Product Directive 89/106/EEC.		
Tone 1	800/1000Hz @ 0.25 sec Alternating	EN54-3 test data : document D0665		
Tone 2	500/1200Hz @ 0.3Hz 0.5 sec Slow Whoop			
Tone 3	1200/500Hz @ 1Hz - DIN / PFEER P.T.A.P.			
Tone 4	544Hz (100mS)/440Hz (400mS) - NF S 32-001			
Tone 8	1000Hz Continuous			
Tone 9	554Hz Continuous			

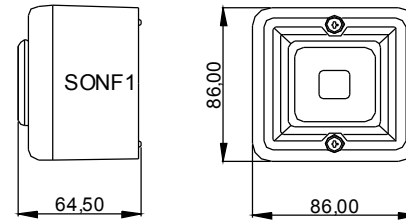
NOTE: Please check factory settings and ensure the correct alarm tone is selected for your country or application.
Pas op: bij ingebruikstelling dient u zich ervan te overtuigen dat de unit op de juiste toon is ingesteld.



>100dB(A)@1m.

ISN0603-B

No liability is accepted for any consequence of the use of this document. The technical specification of this unit is subject to change without notice due to our policy of continual product development. All dimensions are approximate. This unit is sold subject to our standard conditions of sale, a copy of which is available on request.



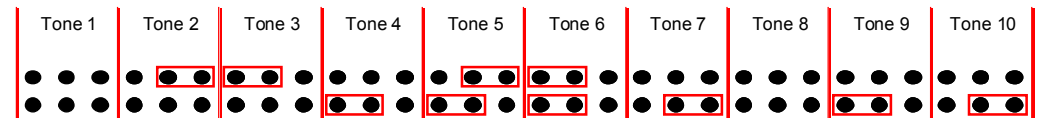
SONF1 HO

Stage1 tone Frequency Description

Stage2 (S2)

Tone 1	800/1000Hz @ 0.25 sec Alternating		Tone 8
Tone 2	500/1200Hz @ 0.3Hz 0.5 sec Slow Whoop		Tone 1
Tone 3	1200/500Hz @ 1Hz - DIN / PFEER P.T.A.P.		Tone 8
Tone 4	544Hz (100mS)/440Hz (400mS) - NF S 32-001		Tone 9
Tone 5	Bell		Tone 1
Tone 6	800/1000Hz @ 7Hz Sweeping		Tone 8
Tone 7	500-1200Hz 3.75sec /0.25sec. Australian Evac.		Tone 10
Tone 8	1000Hz Continuous - PFEER Toxic Gas		-
Tone 9	554Hz Continuous		-
Tone 10	420Hz @ 0.625 sec Australian Alert		-

Fig 1.



- Tone selection.** To select a tone place the pin link in the position shown above (Fig. 1). To set Tones 8, 9 or 10 as a first stage, connect terminal 'S2' to '-' terminal.
- Sélection de la tonalité / réglage des commutateurs.** Pour sélectionner une tonalité, mettre les socles à broches dans les positions illustrées (Fig. 1). Pour programmer les tonalités 8, 9 ou 10 comme premier stade, connecter la borne 'S2' à la borne '-'.
- Tonwahl / Einstellung der Schalter.** Zur Wahl eines Tons die Klemmenanschlüsse in die angegebenen Positionen bringen (Fig. 1). Zur Einstellung der Töne 8, 9 oder 10 als erste Stufe, die Klemme 'S2' an der Klemme '-' anschließen.
- Selezione tono / regolazione commutatore.** Per selezionare un tono, disporre i collegamenti a cavallotto nelle posizioni indicate (Fig. 1). Per impostare i toni 8, 9 o 10 come prima fase, collegare il terminale 'S2' al terminale '-'.
- Seleção de tons / ajuste dos comutadores.** Para seleccionar um tom, coloque as ligações dos pinos na posição mostrada (Fig. 1). Para definir os Tons 8, 9 ou 10 como um primeiro estágio, conectar o terminal 'S2' ao terminal '-'.
- Selección Tono / programación interruptores.** Para seleccionar un tono colocar las conexiones de los puentes en las posiciones mostradas (Fig. 1). Para programar los tonos 8, 9 o 10 como primera fase, conectar el terminal 'S2' en el terminal '-'.
- Toonselectie.** Om een toon te selecteren de pinverbinding in de hierboven aangegeven positie plaatsen (Fig. 1) Om toon 8, 9 of 10 als eerste fase in te stellen moet terminal 'S' op terminal '-' aangesloten worden.
- Valg af tone.** Valg af en tone sker ved at anbringe stiftforbindelsen i ovenstående position (fig. 1). Indstilling af tone 8, 9 eller 10 som niveau 1 sker ved at slutte "S" terminalen til "-" terminalen.
- Velge tone.** For å velge en tone må du plassere stiftleddet i posisjonen som vist ovenfor (fig. 1). For å innstille tone 8, 9 eller 10 som en 1. trinns tone må du kople klemmen "S" til klemmen "-".
- Tonval.** Välj en ton genom att placera stiftanslutningen i läget som visas ovan (fig. 1). Inställning av ton 8, 9 eller 10 som teg 1 sker genom att ansluta kabelfäste "S" till kabelfäste "-".

Tel : 0044(0)2087438880 mail : sales@e-2-s.com Fax : 0044(0)2087404200 web : www.e-2-s.com

1

L101H ALERTALIGHT

High Powered LED Array Beacon
 24 x High Powered LEDs
 Two modes : Steady , Flashing 2 Hz
 IP Rating: IP66
 Temp: -25°C to +50°C
 Unit weight: 200g
 CE

Order code Voltage
 L101HDC024[z][x]/[y] 10-30 VDC
 LED Colour Red, Amber

L101HDC024[z][x]/[y] 12-30VDC
 LED Colour Blue, White, Green

L101HAC230[z][x]/[y] 90-260 VAC
 43-60 VDC

Dimensions : 86.0 x 86.0mm
 1.5mm² terminals
 Cable entry: M20 cable entry (IP66)
 Dependant on Back Box selected

[z] = Back Box Type
 B = L101 type M = Multi-purpose type
 A = A100 type S = Sonora type

[y] = LED colour
 R = Red A = Amber
 B = Blue W = White
 G = Green

[x] = Housing colour
 G = Grey R = Red W = White

Tel : +44 (0)2 8743 8880 Fax : +44 (0)20 8740 4200
 mail : sales@e2s.com web : www.e2s.com



3

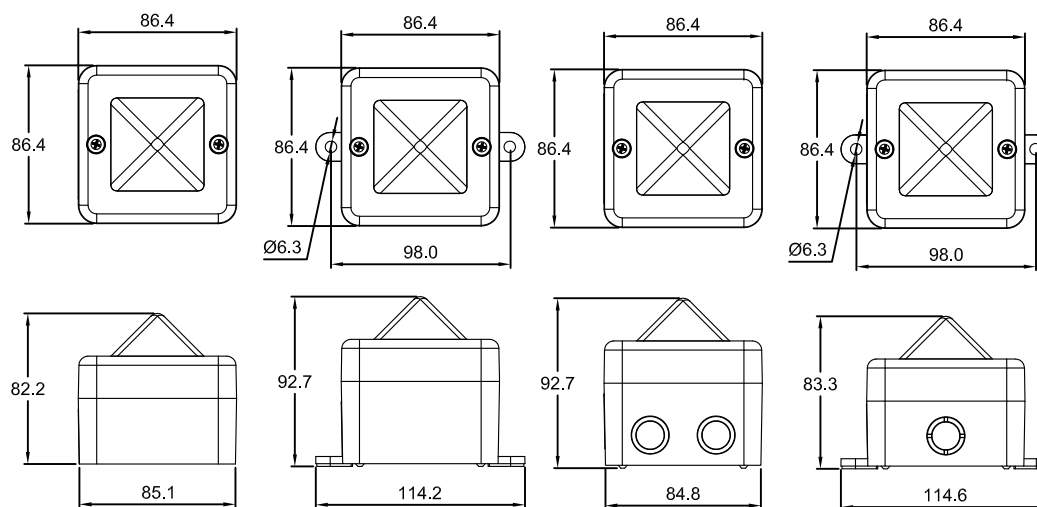
Back Box Type

L101

Multi-purpose

Sonora

A100



2



ATTENTION: Installation must be carried out by an electrician in compliance with the latest codes and regulations.



ATTENTION: Disconnect from power source before installation or service to prevent electric shock.

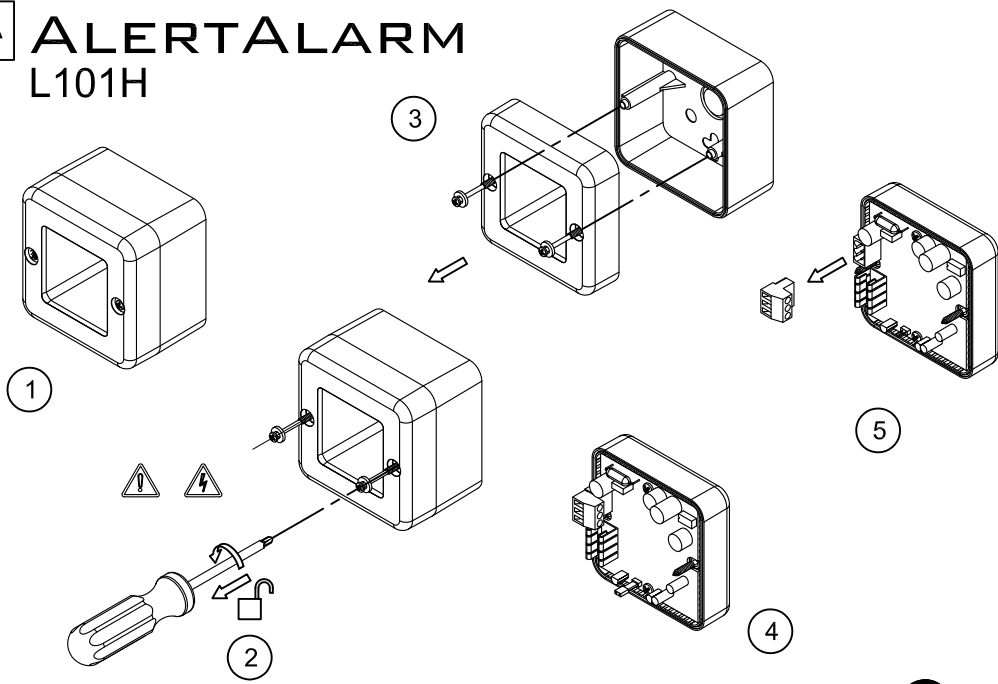


ATTENTION: Lens on unit will be hot allow to cool prior to removal.



D169-00-001-IS_SHT1_ISSUE_D

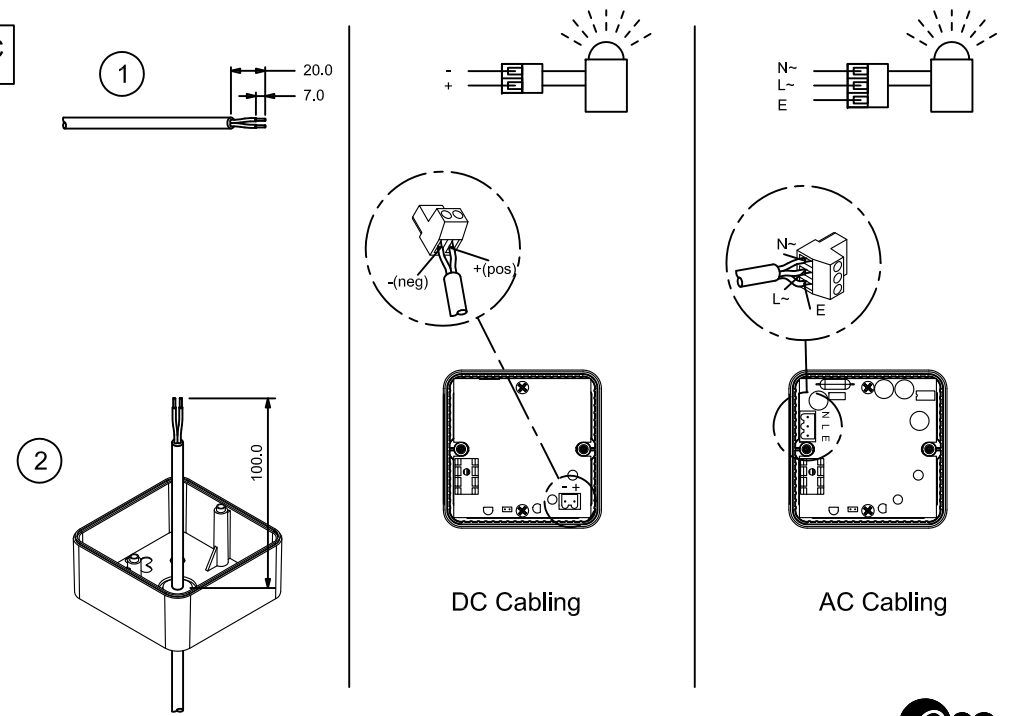
A ALERTALARM L101H



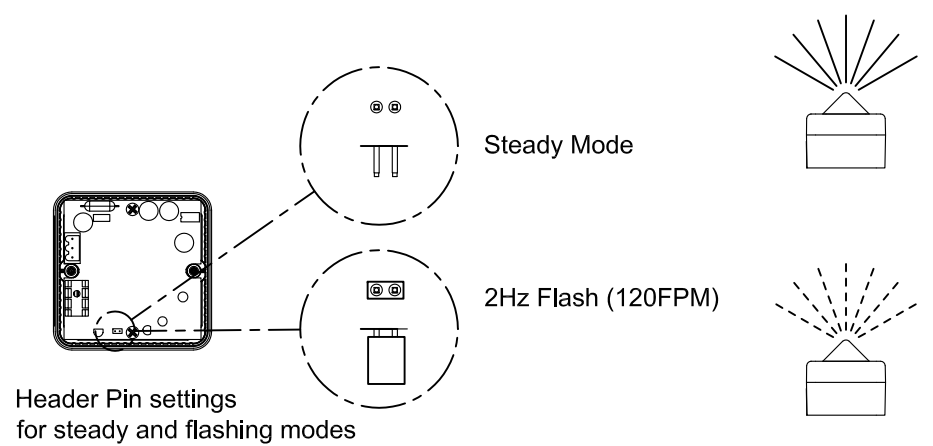
Tel : +44 (0)20 8743 8880 Fax : +44 (0)20 8740 4200
 mail : sales@e2s.com web : www.e2s.com



C



B



Header Pin settings
 for steady and flashing modes



D

