



# POINT LIGHTING SPECIFICATION GUIDANCE PRODUCT MOUNTING DETAILS

OLO1

OBSTRUCTION LIGHT

- FAA L-810 DOUBLE LIGHT
- FIXED MOUNT
- STEELWORK MOUNTED
- EXPOSED CABLE ENTRY

INCANDESCENT:  
POL-20000-R-116-34B-DJ-CF[C]

LED:  
POL-21004-XF-R-34B-D-CF[C]

OLO2

OBSTRUCTION LIGHT

- FAA L-810 DOUBLE LIGHT
- FIXED MOUNT
- CONDUIT MOUNTED
- RIGID CONDUIT ENTRY

INCANDESCENT:  
POL-20000-R-116-34B-DJ

LED:  
POL-21004-XF-R-34B-D

POL FIXTURE:  
HT: 13.3 (337)  
WD: 14.9 (378)  
INCHES (mm)

RIGID STEEL CONDUIT

OLO3

OBSTRUCTION LIGHT

- STANDARD FAA PGL
- RIGID MOUNT
- EXTENDED HEIGHT
- EXPOSED CABLE OR RIGID CONDUIT ENTRY

INCANDESCENT:  
POL-20000 SINGLE

LED:  
POL-21004 SINGLE

JUNCTION BOX:  
PJB-40092-34(3)

3/4-INCH CONDUIT  
LENGTH AS REQUIRED  
(BY OTHERS)

TOP OF WALL

TYPICAL ENTRY:  
EXPOSED CABLE

CABLE  
(BY OTHERS)

OPTION -CF:  
CABLE FITTING

OPTION -CF2:  
TWO CABLE ENTRIES

TYPICAL ENTRY:  
RIGID STEEL CONDUIT

PARAPET MOUNT  
PJB JUNCTION  
BOX AND COVER

OLO4

OBSTRUCTION LIGHT

- STANDARD FAA POL
- RIGID MOUNT
- RIGID CONDUIT ENTRY

INCANDESCENT:  
POL-20000 SINGLE

LED:  
POL-21004 SINGLE

LED POL FIXTURE:  
HT: 8.6 (217)  
WD: 5.0 (127)

INCANDESCENT POL:  
HT: 8.4 (214)  
WD: 5.0 (127)

INCHES (mm)

1-INCH OR  
3/4-INCH CONDUIT  
LENGTH AS REQUIRED  
(BY OTHERS)



# POINT LIGHTING SPECIFICATION GUIDANCE PRODUCT MOUNTING DETAILS

OL05

### OBSTRUCTION LIGHT

- FAA L-810 SINGLE LIGHT
- FIXED MOUNT
- STEELWORK MOUNTED
- EXPOSED CABLE ENTRY

<p>INCANDESCENT: POL-20000-R-116-34L-CF[B]</p> <p>LED: POL-21004-XF-R-34L-S-CF[B]</p>	<p>MOUNTING SCREWS, NUTS, LOCK WASHERS AND SEALING WASHERS (INCLUDED) UNILET WITH HOLES DRILLED</p> <p>OPTION -CF: CABLE FITTING</p>
---	--

OL06

### OBSTRUCTION LIGHT

- FAA L-810 SINGLE LIGHT
- FIXED MOUNT
- PREWIRED FAA PEC

<p>INCANDESCENT: POL-20000-R-116-34B-S3-P</p> <p>LED: POL-21004-XF-R-34B-S3-P</p>	<p>FAA PHOTOELECTRIC CONTROL MODULE</p> <p>TYPICAL ENTRY: RIGID STEEL CONDUIT</p>
---	---

OL07

### OBSTRUCTION LIGHT

- FAA L-810 SINGLE LIGHT
- FIXED MOUNT
- STEELWORK MOUNTED
- EXPOSED CABLE ENTRY

<p>INCANDESCENT: POL-20000-R-116-34F-S3-CF2[C]</p> <p>LED: POL-21004-XF-R-34F-S3-CF2[C]</p>	<p>MOUNTING SCREWS, NUTS, LOCK WASHERS AND SEALING WASHERS (INCLUDED)</p>
---	---

OL08

### OBSTRUCTION LIGHT

- FAA L-810 SINGLE LIGHT
- FIXED MOUNT
- STEELWORK MOUNTED
- EXPOSED CABLE OR RIGID CONDUIT ENTRY

WALL MOUNTING HARDWARE INCLUDED WITH OPTIONS -[C] OR -CF[C]

OVERALL HEIGHT: 8.0 (203) INCHES (mm) \*FROM WALL

TOP OF WALL

TYPICAL ENTRY: EXPOSED CABLE

TYPICAL ENTRY: RIGID STEEL CONDUIT

CABLE (BY OTHERS)

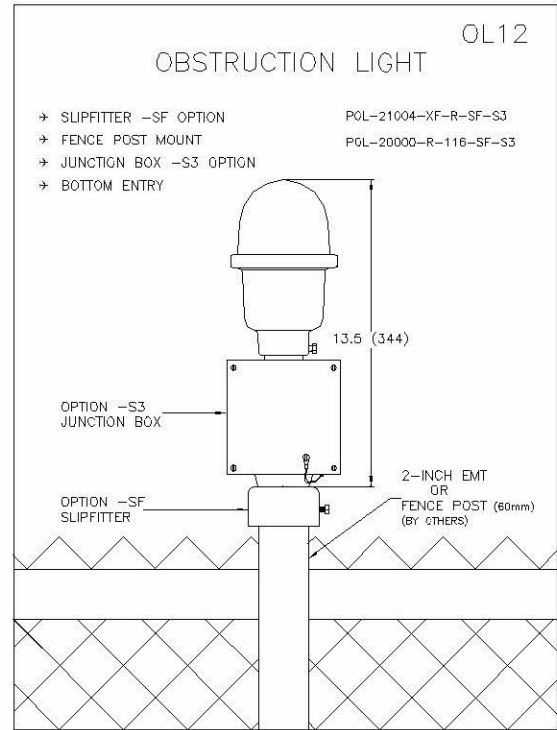
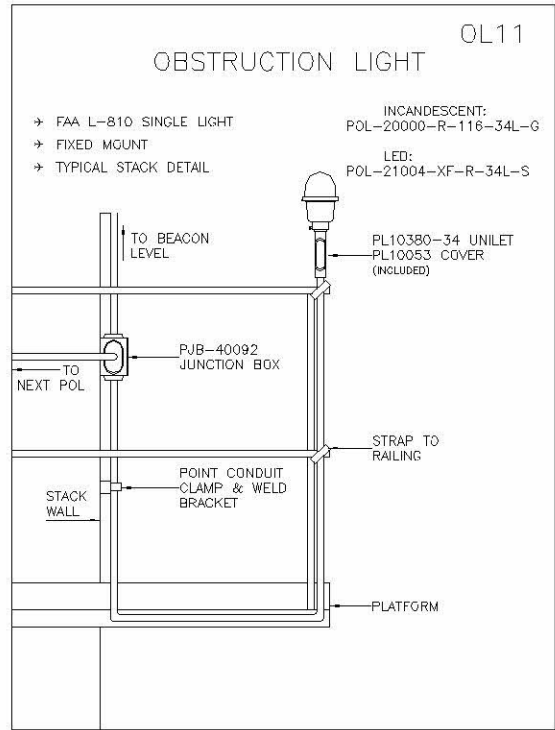
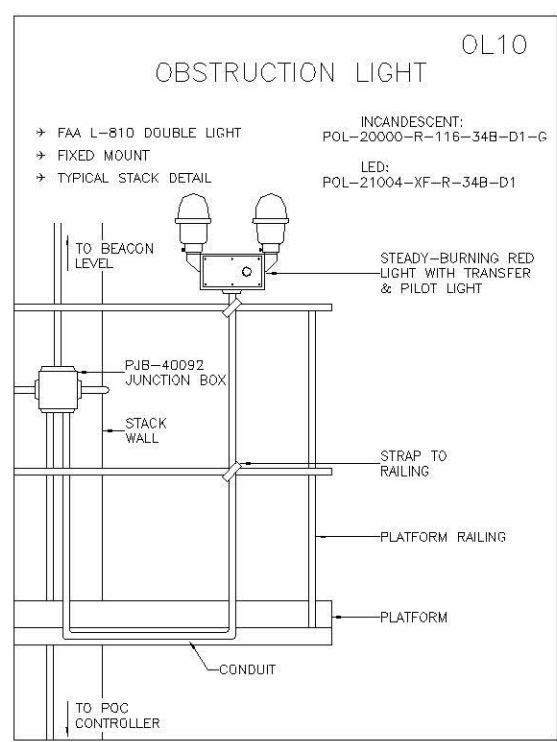
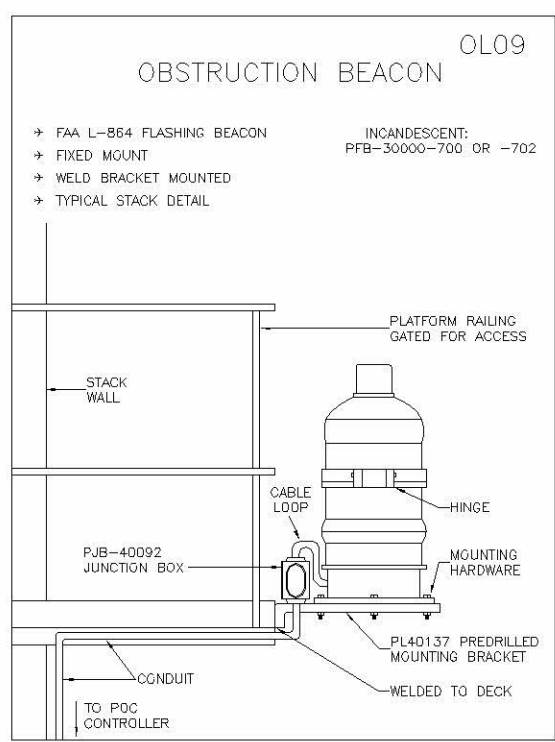
OPTION -CF: CABLE FITTING

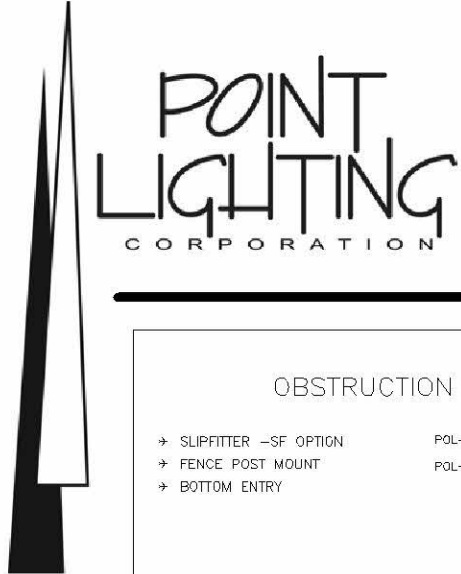
OPTION -CF2: TWO CABLE ENTRIES

OPTION -JBP3: PARAPET JUNCTION BOX AND COVER



# POINT LIGHTING SPECIFICATION GUIDANCE PRODUCT MOUNTING DETAILS





# POINT LIGHTING SPECIFICATION GUIDANCE PRODUCT MOUNTING DETAILS

OL13

## OBSTRUCTION LIGHT

- SLIPFITTER -SF OPTION                      POL-21004-XF-R-SF-S
- FENCE POST MOUNT                            POL-20000-R-116-SF
- BOTTOM ENTRY

OL14

## OBSTRUCTION BEACON

- FAA L-864 FLASHING BEACON                      LED: PFB-37001-R-X
- FIXED MOUNT
- WELD BRACKET MOUNTED
- TYPICAL STACK DETAIL

OL15

## FRANGIBLE OBSTRUCTION LIGHT

- OPTION -PFC    POL-20000-R-116-PFC-14
- USES FAA FRANGIBLE (BREAKABLE) COUPLING FOR MOUNTING ON EXTENDED 1-INCH NPT CONDUIT
- OBSTRUCTION LIGHT
- HELIPORT LIGHT
- RUNWAY LIGHT

\*ADJUSTABLE BY REQUEST 14.0 TO 40.0 INCHES

OL16

## OBSTRUCTION BEACON MOUNTING PATTERN

FOR INCANDESCENT AND LED BEACONS

PREDRILLED STEEL MOUNTING BRACKET PL40137 IS AVAILABLE



# POINT LIGHTING SPECIFICATION GUIDANCE PRODUCT MOUNTING DETAILS

