

1

L101X ALERTALIGHT

High Powered Xenon Tube Beacon
5J Xenon Flash Tube
Three modes : Flashing 1 Hz*,
Flashing 1.5Hz (DC units Only),
Double Strike (DC Units Only)
IP Rating: IP66
Temp: -25°C to +55°C
Unit weight: 200g
CE

Dimensions : 86.0 x 86.0mm
1.5mm² terminals
Cable entry: M20 cable entry (IP66)
Dependant on Back Box selected

[z] = Back Box Type
B = L101 type M = Multi-purpose type
A = A100 type S = Sonora type

[y] = Lens colour
R = Red* A = Amber G = Green
B = Blue C = Clear*

[x] = Housing colour

Order code	Voltage	Current
L101XDC012[z][x]/[y]	10-14 VDC/AC	500mA/380mA
L101XDC024[z][x]/[y]*	20-28 VDC/AC	250mA/300mA
L101XDC048[z][x]/[y]*	42-52 VDC	175mA
L101XAC048[z][x]/[y]	48 VAC±10%	250mA
L101XAC115[z][x]/[y]	115 VAC±10%	70mA
L101XAC230[z][x]/[y]	230 VAC±10%	35mA

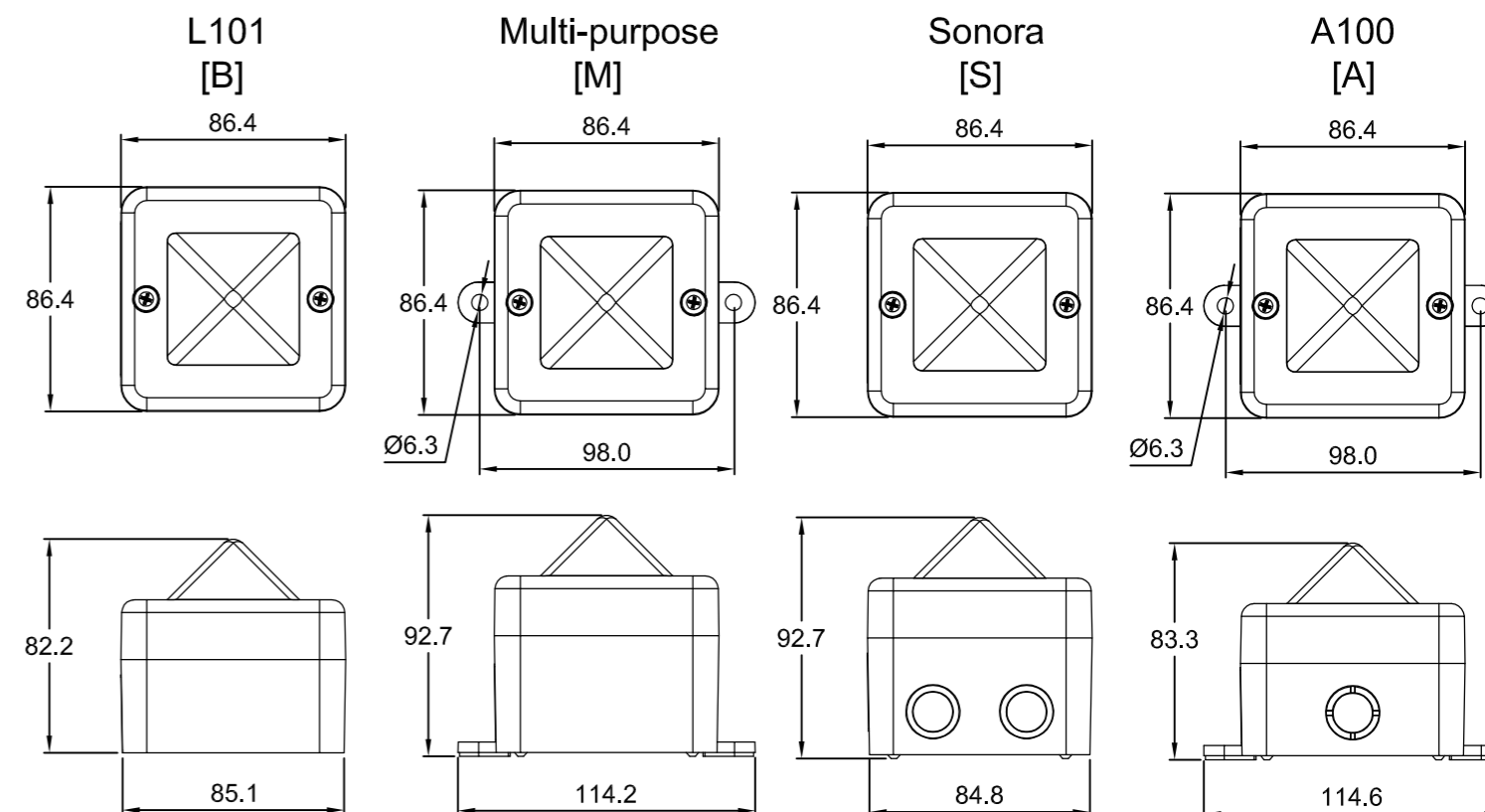
* Denotes models with VdS/CPR Approval for EN54-23, 24/48 VDC application only. For UL versions add suffix '-UL' to order code

Tel : +44 (0)2 8743 8880 Fax : +44 (0)20 8740 4200
mail : sales@e2s.com web : www.e2s.com



3

Back Box Type



2



ATTENTION: Installation must be carried out by an electrician in compliance with the latest codes and regulations.



ATTENTION: Disconnect from power source before installation or service to prevent electric shock.



ATTENTION: On strobe beacons allow a minimum of 2 minutes for hazardous high voltage to discharge from unit.



ATTENTION: Lens on unit will be hot allow to cool prior to removal.

CPR FILE DRAWING

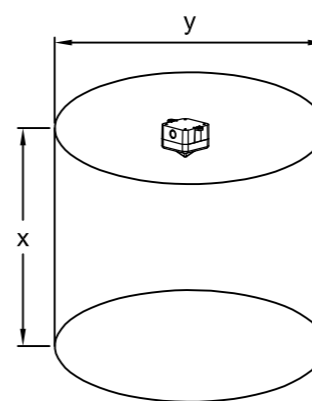
No modification permitted without reference to "VdS"



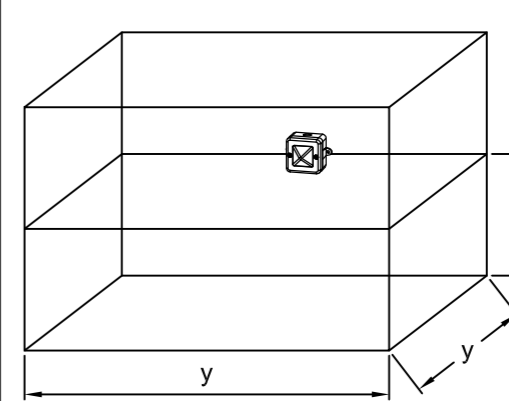
4

Coverage Area According to EN54-23

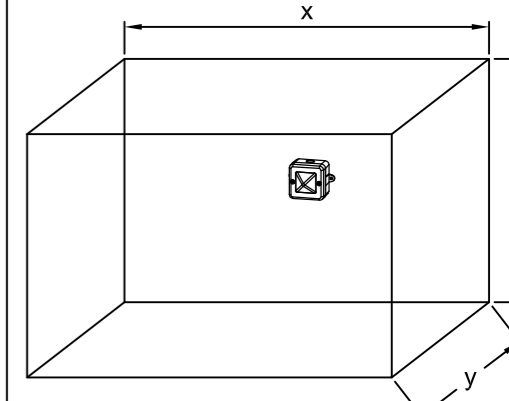
Unit	Category C	Category W	Category O	Power
L101XDC024[z][x]/C	C-9-6.8 V=326.9m ³	W-2.4-4.8 V=55.3m ³	O-4.8-10 V=230.4m ³	6W
L101XDC024[z][x]/R	C-3-2.6 V=15.9m ³	N/A	O-1.9-3.6 V=13.0m ³	6W
L101XDC048[z][x]/C	C-9-7 V=346.4m ³	W-2.5-5 V=62.5m ³	O-5-10 V=250.0m ³	8.4W
L101XDC048[z][x]/R	C-3-3 V=21.2m ³	N/A	O-2-4 V=16.0m ³	8.4W



Category C-x-y (Ceiling mounted): Ceiling mounted, where x is the maximum ceiling height and y the diameter of the cylindrical volume covered by the VAD.



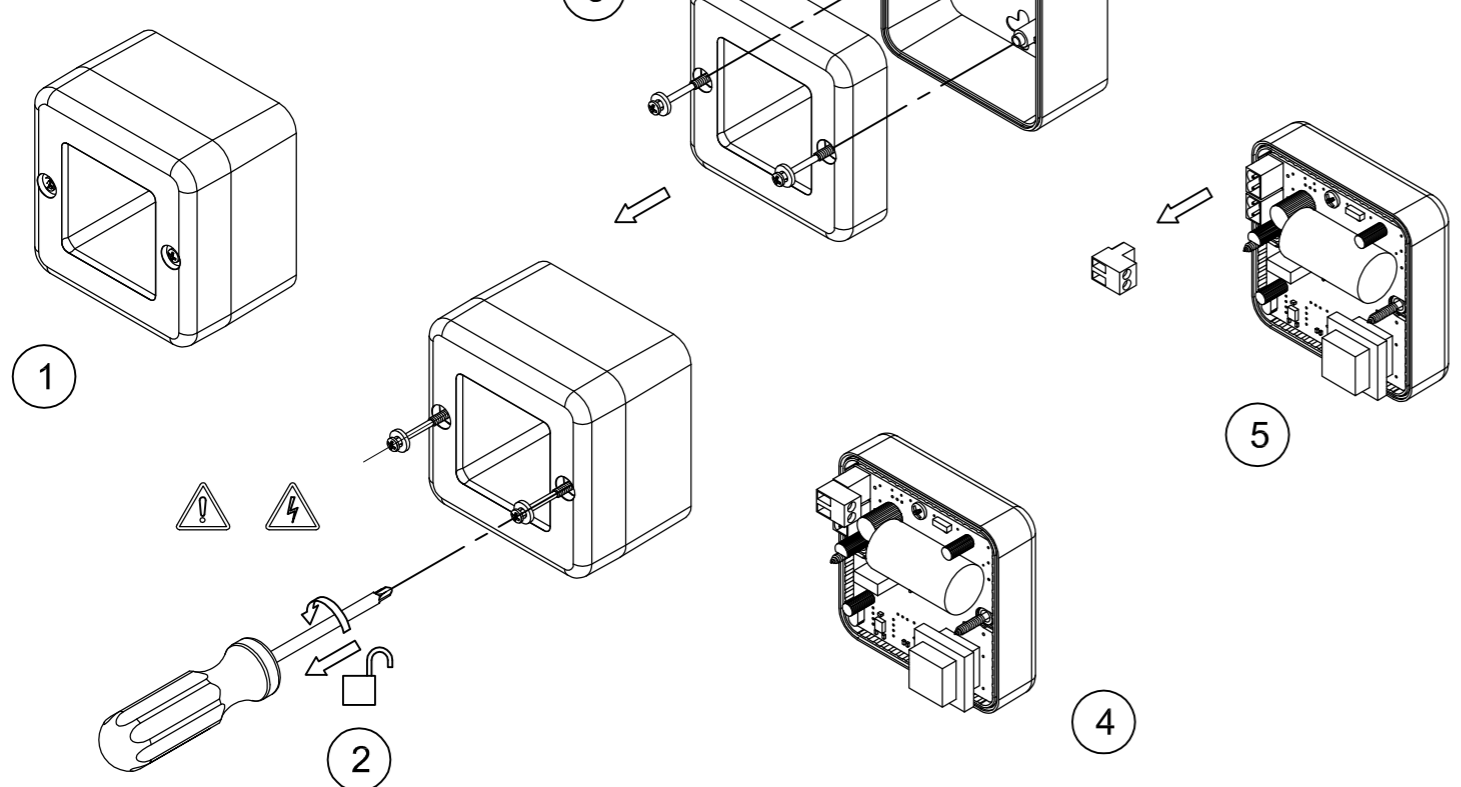
Category W-x-y (Wall mounted): Wall mounted, where x is the maximum mounting height from the floor and y is the maximum length of the sides of the square floor area covered by the VAD.



Category O-x-y (Open class): Centrally wall mounted, where x is the max height and width of the wall area covered by the device and y is the max depth of the volume covered by the VAD or ceiling mounted where x is the max width and length of the floor area covered of the VAD and y is the max ceiling height.



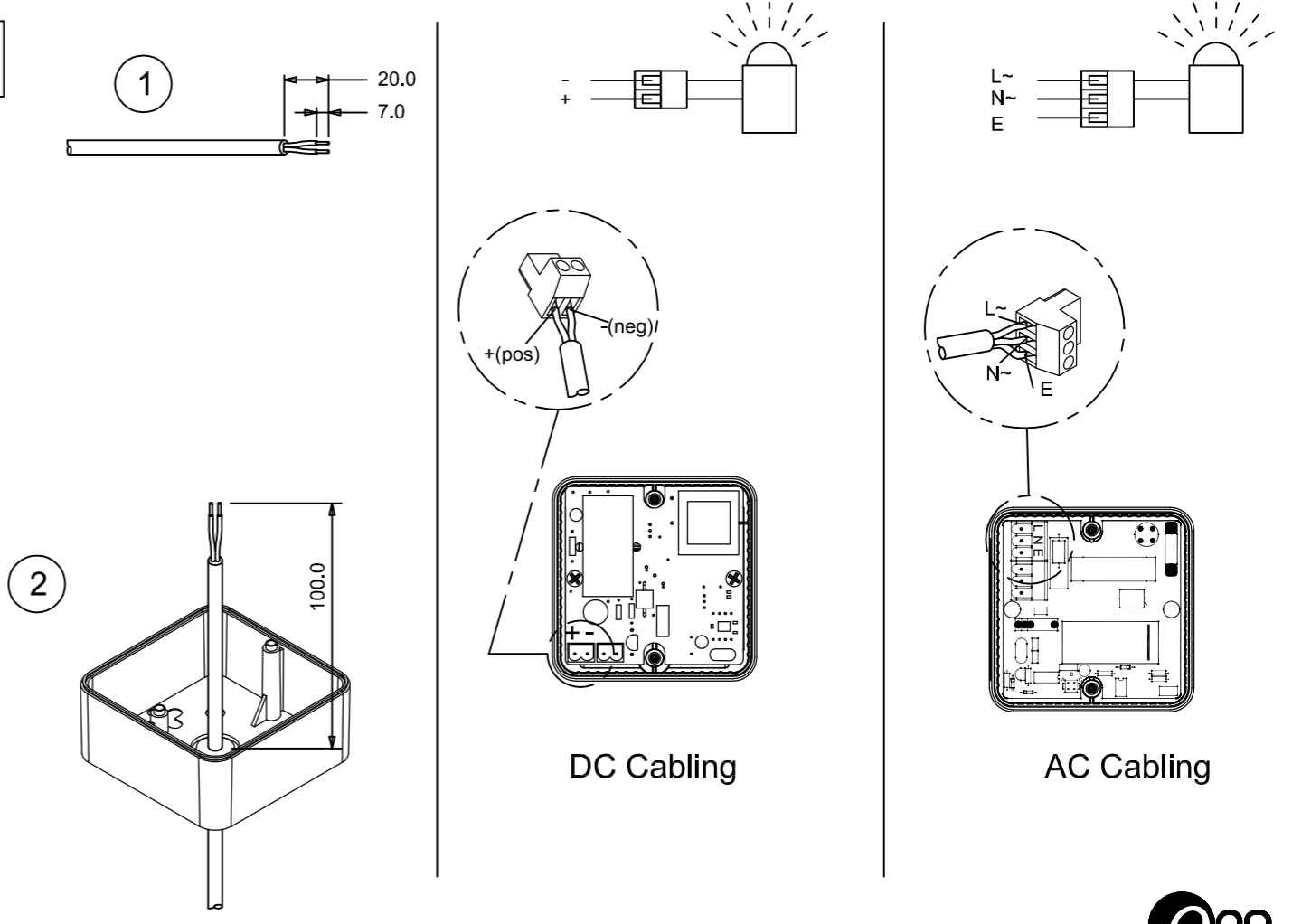
A ALERTALIGHT L101X



Tel : +44 (0)20 8743 8880 Fax : +44 (0)20 8740 4200
 mail : sales@e2s.com web : www.e2s.com



C

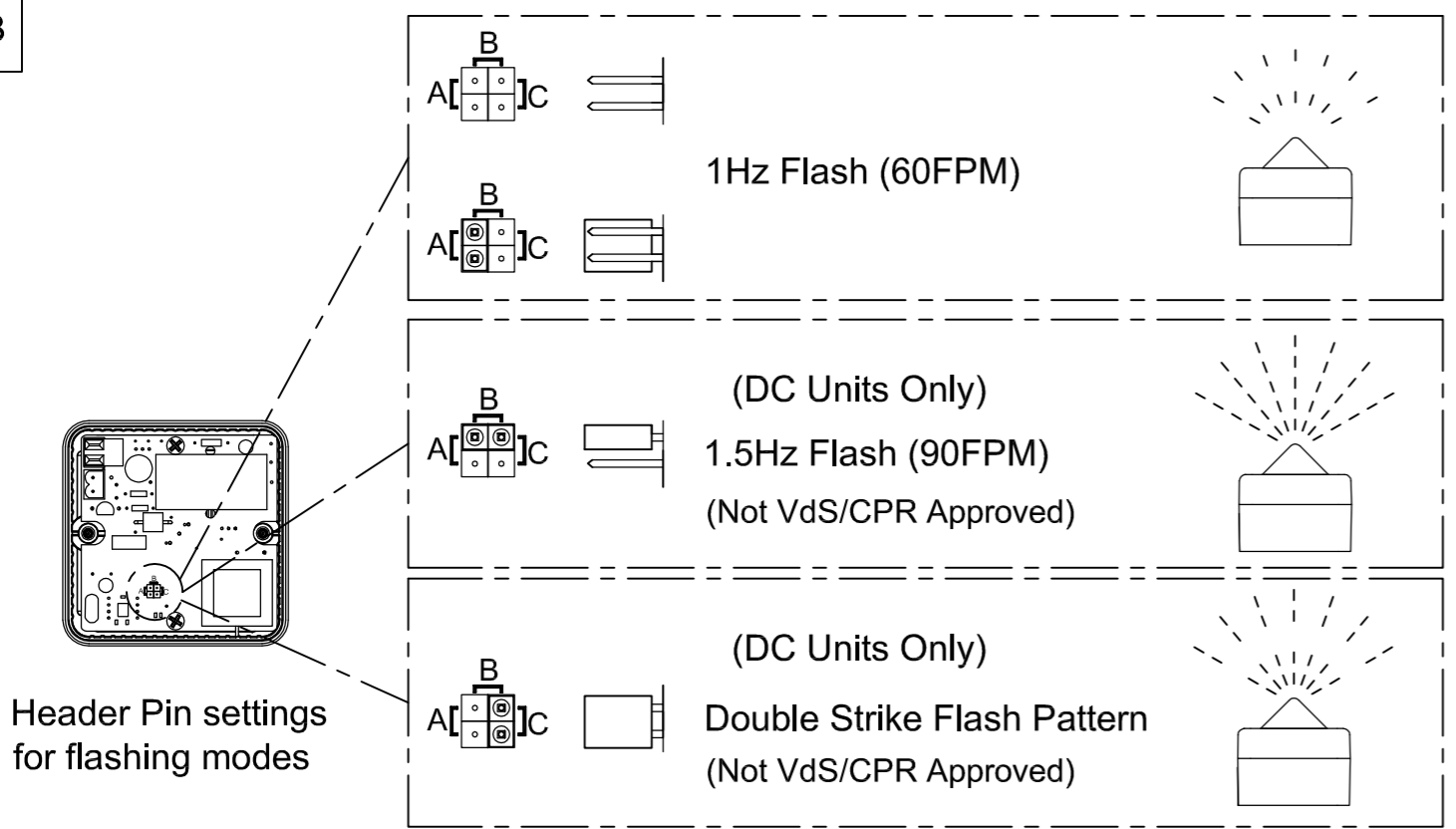


DC Cabling

AC Cabling



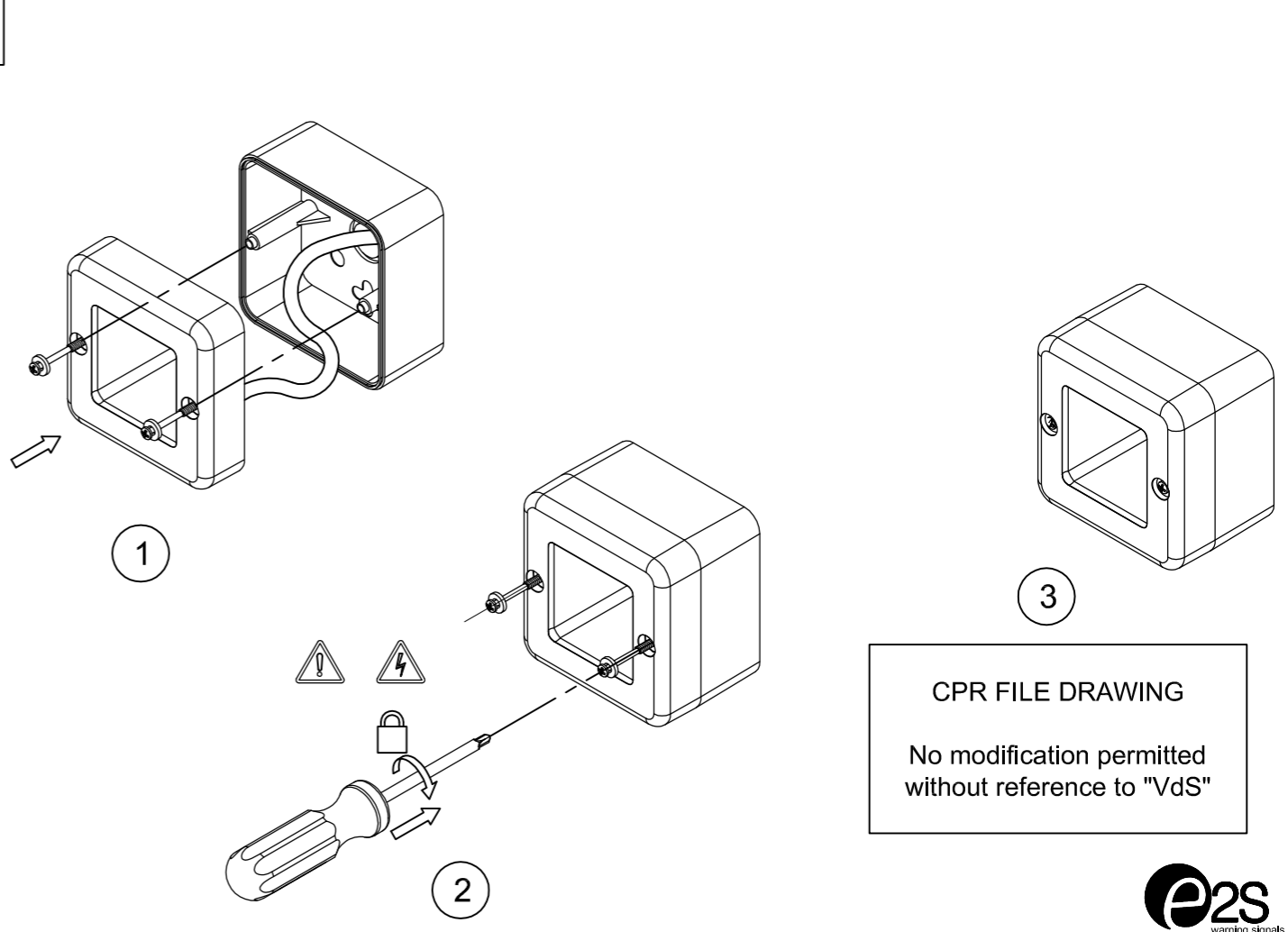
B



Header Pin settings for flashing modes



D



CPR FILE DRAWING
 No modification permitted without reference to "VdS"

