

# A SPECTRA

Trumpet Horn Rotating Beacon  
 IP Rating: IP65  
 Temp: -25°C to +50°C  
 Unit weight: 678g  
 CE

Order code Voltage  
 H110TR012G/x 12VDC  
 • 12V dc 52mA  
 Beacon Current Consumption  
 • 12V dc 1.72A

H110TR024G/x 24VDC  
 • 24V dc 105mA  
 Beacon Current Consumption  
 • 24V dc 910mA

H110TR115G/x 115V AC  
 • 115V ac 50/60Hz 36mA  
 Beacon Current Consumption  
 • 115V ac 50/60Hz 216mA

H110TR230G/x 230V AC  
 • 230V ac 50/60Hz 18mA  
 Beacon Current Consumption  
 • 230V ac 50/60Hz 117mA

# H110TR

Dimensions : 135 x 462.9mm  
 1.5mm<sup>2</sup> terminals  
 Cable entry: 1 x 5-7mm push  
 through grommet

x = Lens colour  
 R = Red A = Amber  
 B = Blue C = Clear  
 G = Green Y = Yellow

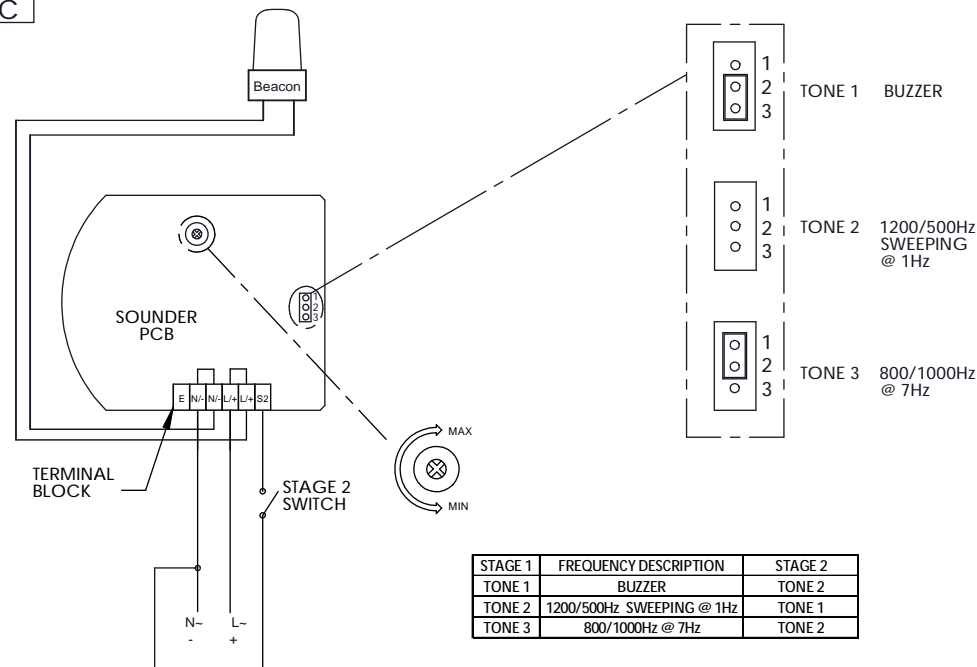
Bulb Type G6,35/GY6,35

E2S PART No.	Version	
BJC20W12VCL	12Vdc	20W
BJC20W24VCL	24Vdc	20W
BJCD25W120VCL	115ac	25W
BJCD25W230VCL	230ac	25W

Tel: +44 (0)2 8743 8880 Fax: +44 (0)20 8740 4200  
 mail: sales@e2s.com web: www.e2s.com



# C



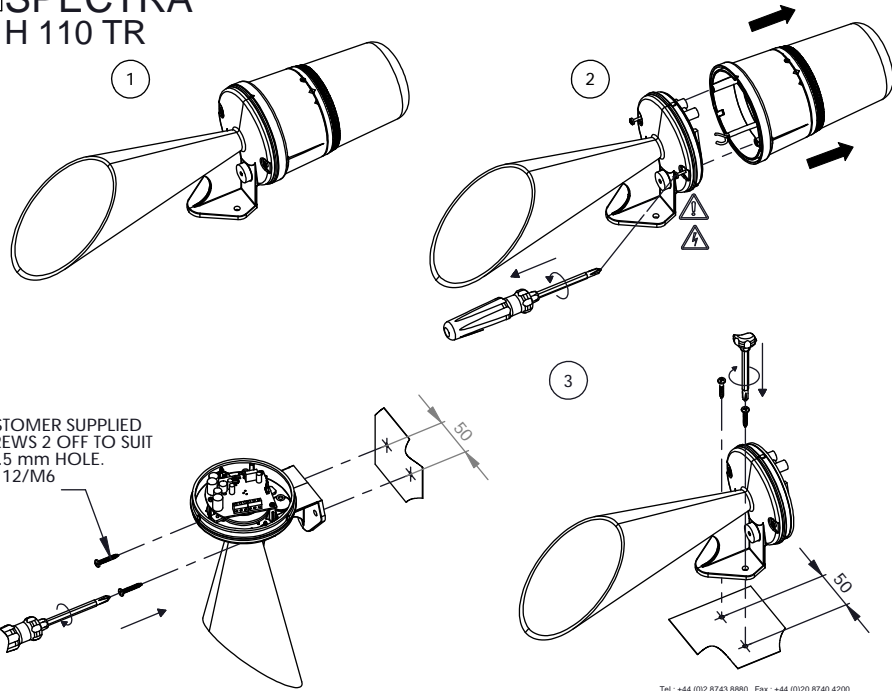
# B

- ATTENTION:** Installation must be carried out by an electrician in compliance with the latest codes and regulations.
- ATTENTION:** Disconnect from power source before installation or service to prevent electric shock.
- ATTENTION:** On strobe beacons allow a minimum of 2 minutes for hazardous high voltage to discharge from unit.
- ATTENTION:** Lens on unit will be hot allow to cool prior to removal.

# D



# A SPECTRA H 110 TR

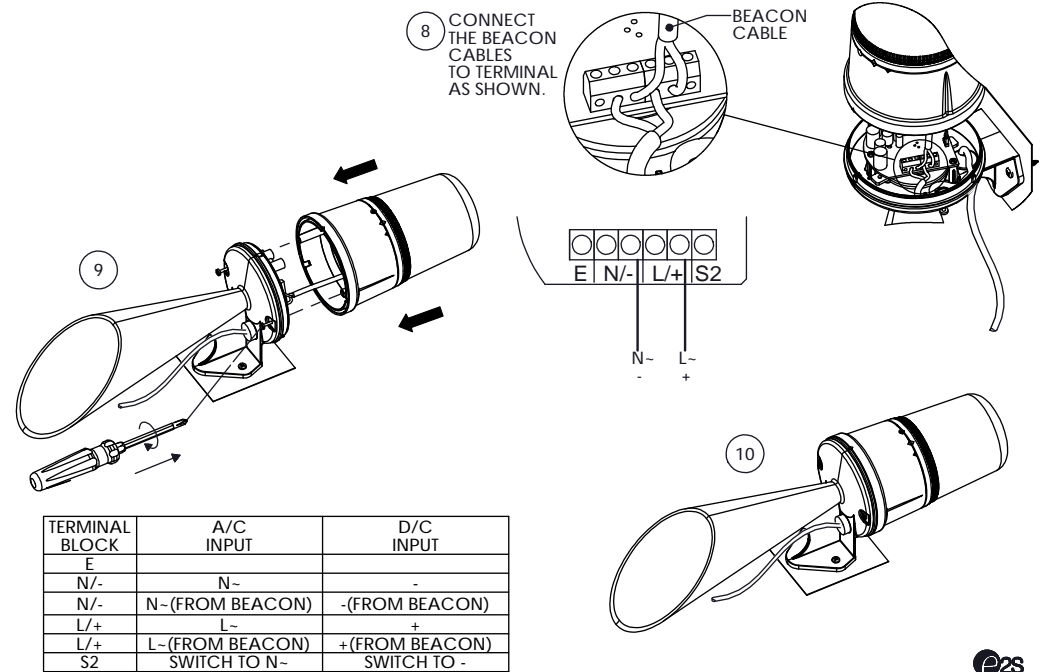


CUSTOMER SUPPLIED SCREWS 2 OFF TO SUIT Ø6.5 mm HOLE. No. 12/M6

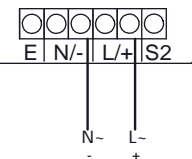
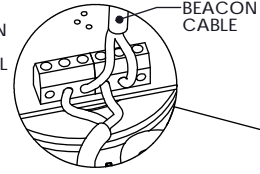
Tel: +44 (0)2 8743 8880 Fax: +44 (0)20 8740 4200  
 mail: sales@e2s.com web: www.e2s.com



# C



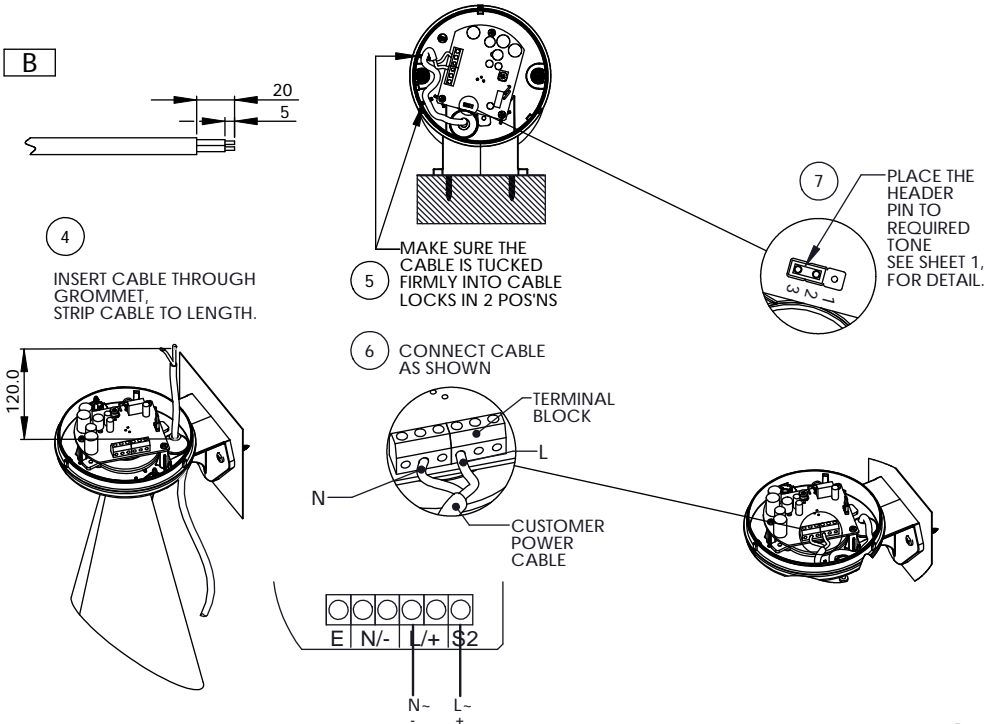
8 CONNECT THE BEACON CABLES TO TERMINAL AS SHOWN.



TERMINAL BLOCK	A/C INPUT	D/C INPUT
E		
N/-	N-	-
N/-	N- (FROM BEACON)	-(FROM BEACON)
L/+	L-	+
L/+	L- (FROM BEACON)	+(FROM BEACON)
S2	SWITCH TO N-	SWITCH TO -



# B

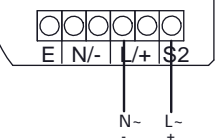
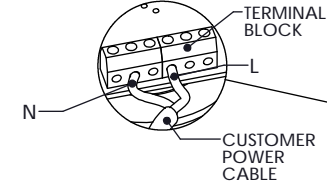


4 INSERT CABLE THROUGH GROMMET, STRIP CABLE TO LENGTH.

5 MAKE SURE THE CABLE IS TUCKED FIRMLY INTO CABLE LOCKS IN 2 POS'NS

6 CONNECT CABLE AS SHOWN

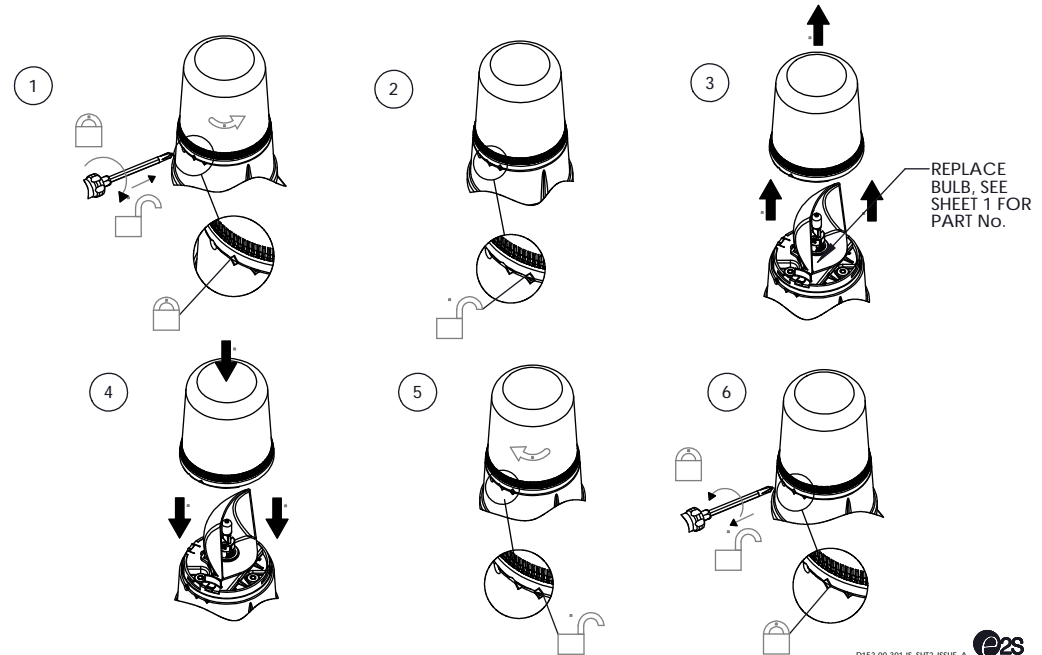
7 PLACE THE HEADER PIN TO REQUIRED TONE SEE SHEET 1, FOR DETAIL.



Dimensions in mm



# D BULB REPLACEMENT



REPLACE BULB, SEE SHEET 1 FOR PART No.



D153-00-301-IS\_SHT2\_ISSUE\_A