

1) Introduction

The BExL25D and BExL15D are flameproof loudspeakers which are certified to meet the requirements of the ATEX directive 94/9/EC and the IECEx scheme. The loudspeakers can be used in hazardous areas where potentially flammable atmospheres may be present. There are four versions of each loudspeaker, 8 ohm or 16 ohm and 70V or 100V Line transformer. On 70V and 100V line transformer units there are four output tapings for each size of loudspeaker. The BExL25D unit produces output levels in the 117dB(A) range and the BExL15D unit produces output levels in the 112dB(A) range. Both loudspeakers can be used in Zone 1 and Zone 2 areas with gases in groups IIA, IIB and IIC and temperature Classifications of T1, T2, T3 and T4. For ambient temperatures over +55°C the gas groups are limited to IIA and IIB.

2) Marking

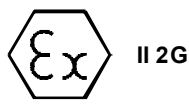
All units have a rating label, which carries the following important information:-

Unit Type No. BExL25D or BExL15D

Impedance: 8 ohm or 16 ohm
70V Line or 100V Line

Codes: Ex d IIC T4 for Ta -50°C to +55°C
Ex d IIB T4 for Ta -50°C to +70°C

Certificate No's KEMA 99ATEX6312
IECEX KEM 10.0003

Epsilon x:
Equipment Group
and Category: 

CE Marking:
Notified Body No. 

“Warnings” DO NOT OPEN WHEN AN EXPLOSIVE
GAS ATMOSPHERE IS PRESENT

COVER BOLTS CLASS A4-80

USE HEAT RESISTING CABLES AND CABLE GLANDS
(Rated 110°C) AT AMB. TEMPERATURES OVER 40°C

Year of Construction /
Serial No. i.e. 10 / 1L23000001

3) Type Approval Standards

The loudspeakers have EC Type Examination and IECEx certificates issued by KEMA and have been approved to the following standards:-

EN60079-0:2006 IEC60079-0:2004 (Ed4) General Requirements
EN60079-1:2007 IEC60079-1:2007 (Ed6) Flameproof Enclosure 'd'

4) Installation Requirements

The loudspeakers must be installed in accordance with the latest issues of the relevant parts of the EN60079 standards or the equivalent IEC standards – Selection, Installation and maintenance of electrical apparatus for use in potentially explosive atmospheres (other than mining applications or explosive processing and manufacture):-

EN60079-14:2008 Electrical Installations in Hazardous
IEC60079-14:2007 (Ed4) Areas (other than mines)

EN60079-10:2003 Classification of Hazardous Areas
IEC60079-10:2008 (Ed1)

The installation of the units must also be in accordance with any local codes that may apply and should only be carried out by a competent electrical engineer who has had the necessary training.

5) Zones, Gas Group, Category and Temperature Classification

The BExL25D and BExL15D loudspeakers have been certified Ex d IIC T4 for Ta -50°C to +55°C) and Ex d IIB T4 for Ta -50°C to +70°C). This means that the units can be installed in locations with the following conditions:-

Area Classification:

Zone 1	Explosive gas air mixture likely to occur in normal operation.
Zone 2	Explosive gas air mixture not likely to occur, and if it does, it will only exist for a short time.

Gas Groupings:

Group IIA	Propane
Group IIB	Ethylene
Group IIC (Up to +55°C only)	Hydrogen and Acetylene

Equipment Category: 2G

Temperature Classification:

T1	400° C
T2	300° C
T3	200° C
T4	135° C

Ambient Temperature Range:

-50°C to +55°C Gas Groups IIA, IIB and IIC
-50°C to +70°C Gas Groups IIA and IIB

6) Loudspeaker Location and Mounting

The location of the loudspeakers should be made with due regard to the area over which the unit must be audible. The loudspeakers should only be fixed to services that can carry the weight of the unit.

The loudspeakers should be securely bolted to a suitable surface using the 7mm diameter boltholes in the stainless steel U shaped mounting bracket (see figure 1). The angle can then be adjusted in the direction that the sound is primarily required to cover. This can be achieved by loosening the two large bracket screws in the side of the unit, which allow adjustment in steps of 18°. On completion of the installation the two large bracket adjustment screws on the side of the unit must be fully tightened to ensure that the unit cannot move in service.

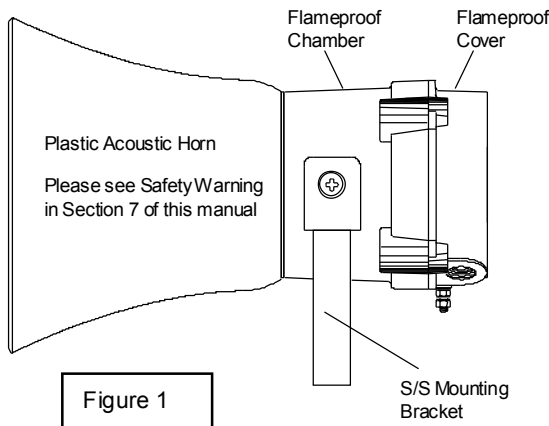


Figure 1

7) Safety Warning (Electrostatic Hazard)

The acoustic horn section is made of ABS Plastic, therefore to avoid a possible ELECTROSTATIC CHARGE the unit must only be cleaned with a damp cloth.

8) Access to the Flameproof Enclosure

In order to connect the audio supply cables to the loudspeaker it is necessary to remove the flameproof cover to gain access to the flameproof chamber. To achieve this remove the four M6 hexagon socket head screws (see figure 2) and withdraw the flameproof cover taking extreme care not to damage the flameproof joints in the process.

Note the four **M6 screws are Class A4-80 stainless steel and only screws of this category can be used on these loudspeakers.** It is therefore important that these screws and their spring washers are kept in a safe place during installation.

On completion of the cable wiring installation the flameproof joints should be inspected to ensure that they are clean and that they have not been damaged during installation. Also check that the earth bonding wire between the two casting sections is secure and the 'O' ring seal is in place. When replacing the flameproof cover casting ensure that it is square with the flameproof chamber casting before inserting. Carefully push the cover in place allowing time for the air to be expelled. Only after the cover is fully in place, should the four M6 Stainless Steel A4-80 cover bolts and their spring washers be inserted and tightened down. If the cover jams while it is being

inserted, carefully remove it and try again. Never use the cover bolts to force the cover into position.

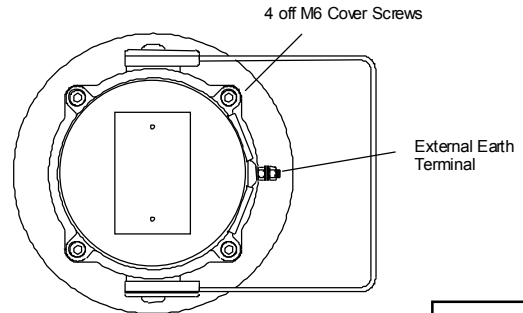


Figure 2

9) Power Amplifier Selection

It is important that the loudspeakers are connected to power amplifiers that have outputs that are compatible to the type of loudspeaker being used. Loudspeakers with a 70V or 100V line matching transformer fitted must be connected to a power amplifier with a 70V or 100V line output. Low impedance 8 ohm or 16 ohm loudspeakers must be connected to amplifiers with a suitable low impedance output. When selecting the cable size consideration must be given to the current that each unit draws, the number of loudspeakers on the line and the length of the cable run.

The following table shows the range of loudspeakers:-

Unit Type	Input	Wattage	Max. I/P Volts
BEXL25D	100V Line	25W	100V
BEXL25D	70V line	25W	70V
BEXL25D	8 ohm	25W	14.14V
BEXL25D	16 ohm	25W	20V
BEXL15D	100V Line	15W	100V
BEXL15D	70V Line	15W	70V
BEXL15D	8 ohm	15W	10.95V
BEXL15D	16 ohm	15W	15.49V

The above table also shows the maximum AC signal voltages at which the loudspeakers can be operated.

The current levels taken by the each loudspeaker will depend on which output tapping has been selected (see section 13 of this instruction manual). BEXL25D 70V and 100V Line units have output levels of 25W, 12.5W, 6W and 2W; BEXL15D 70V and 100V Line units have output levels of 15W, 7.5W, 3W and 1W.

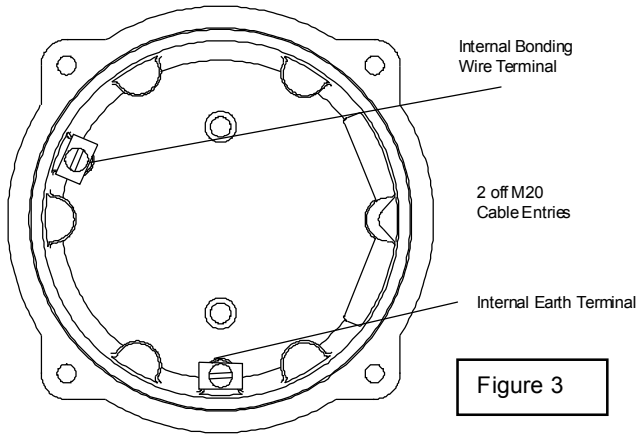
10) Cable Selection

When selecting the cable size consideration must be given to the current that each unit draws, the number of loudspeakers on the line and the length of the cable runs.

SAFETY WARNING: If the loudspeakers are used at high ambient temperatures, i.e. over +40°C, then the cable entry temperature may exceed +70°C and therefore suitable heat resisting cables must be used, with a rated service temperature of at least 110°C.

11) Earthing

All loudspeakers must be connected to a good quality earth. The units are provided with internal and external earthing terminals which are both located on the flameproof cover section of the unit (see figures 2 and 3).



When using the internal earth terminal ensure that the stainless steel M4 flat washer is between the incoming earth wire and the enclosure.

When using the external earth terminal a cable crimp lug must be used. The cable lug should be located between the two M5 stainless steel flat washers. The M5 stainless steel spring washer must be fixed between the outer flat washer and the M5 stainless steel nut to ensure that the cable lug is secured against loosening and twisting.

The internal earth bonding wire ensures that a good quality earth is maintained between the flameproof chamber casting and the flameproof cover casting.

12) Cable Glands

The BExL25D and BExL15D loudspeakers have dual cable gland entries which have an M20 x 1.5 entry thread as standard. Only cable glands approved for Ex 'd' applications can be used, which must be suitable for the type of cable being used and also meet the requirements of the Ex 'd' flameproof installation standard EN60079-14:2008 / IEC60079-14:2007.

SAFETY WARNING: If the loudspeakers are used at high ambient temperatures, i.e. over +40°C, then the cable entry temperature may exceed +70°C and therefore suitable heat resisting cable glands must be used, with a rated service temperature of at least 110°C.

If a high IP (Ingress Protection) rating is required then a suitable sealing washer must be fitted under the cable gland.

When only one cable entry is used the other one must be closed with an Ex 'd' flameproof blanking plug, which must be suitably approved for the installation requirements.

13) Cable Connections

The cable connections are made into the terminal blocks on the pcb assembly located in the flameproof enclosure. See section 8 of this manual for access to the flameproof enclosure. The 70V and 100V Line loudspeakers are fitted with

a five way terminal block. Terminal A is common and one of the other terminals B, C, D or E should be selected depending on what output level is required (see table below).

BExL25D and BExL15D 70V and 100V Line Loudspeakers

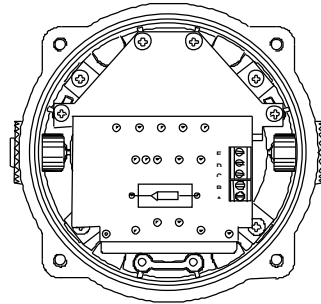


Figure 4

Terminals	BExL25D (25W)	BExL15D (15W)
A - B	25W	15W
A - C	12.5W	7.5W
A - D	6W	3W
A - E	2W	1W

A single wire with a cross sectional area of up to 4mm² can be connected to each terminal way or if an input and output wire is required two 2.5mm² wires can be connected to each terminal way. When connecting wires to the terminals great care should be taken to dress the wire so that when the cover is inserted into the chamber the wires do not exert excess pressure on the terminal blocks. This is particularly important when using cables with large cross sectional areas such as 2.5mm² and above.

BExL25D and BExL15D 8 ohm and 16 ohm Loudspeakers

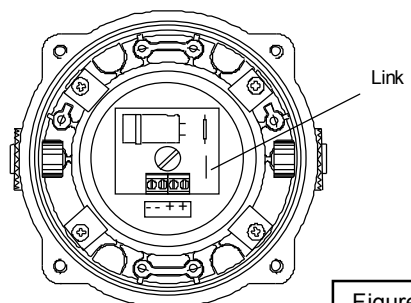


Figure 5

BExL25D and BExL15D 8 ohm and 16 ohm low impedance loudspeakers have dual input terminals on the pcb assembly for input and output wiring. A cable of up to 2.5mm² can be

connected to each terminal. If dc line monitoring is used cut the link on the board (see figure 5 and section 14 of this manual).

14) End of Line DC Monitoring

On BExL25D and BExL15D loudspeakers, dc line monitoring can be used if required. Both the 70V and 100V Line units and the Low Impedance units have blocking capacitors fitted. It should be noted that each loudspeaker has a 1M ohm bleed resistor connected across the blocking capacitor and this should be taken into account when selecting the value of the end of line monitoring resistance.

The end of line monitoring resistor can be connected across the terminals on the end of line unit. On the low impedance units care must be taken with the polarity of the monitoring voltage.

On 100V and 70V line units the end of line resistor used must have a minimum resistance value of 4k7 ohms and a minimum wattage of 2.5 watts

On low impedance units the end of line resistor used must have a minimum resistance value of 2k ohms and a minimum wattage of 0.5 watts or a minimum resistance value of 500 ohms and a minimum wattage of 2 watts. On the low impedance units care must be taken with the polarity of the monitoring voltage. If an end of line resistor is fitted to a unit the links on the printed circuit boards of all loudspeakers in the line must be cut for the dc blocking capacitors to be in circuit in order to dc monitor the line (see figure 5).

2) Marking

All units have a rating label, which carries the following important information:-

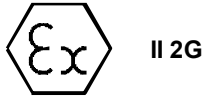
Unit Type No. BExL25D or BExL15D

Impedance: 8 ohm or 16 ohm
70V or 100V Line

Codes: Ex d IIC T4 for Ta -50°C to +55°C
Ex d IIB T4 for Ta -50°C to +70°C

Certificate No's KEMA 99ATEX6312
IECEX KEM 10.0003

Epsilon x:
Equipment Group
and Category:



CE Marking:
Notified Body No.



“Warnings” DO NOT OPEN WHEN AN EXPLOSIVE
GAS ATMOSPHERE IS PRESENT

COVER BOLTS CLASS A4-80

USE HEAT RESISTING CABLES AND CABLE GLANDS
(Rated 110°C) AT AMB. TEMPERATURES OVER 40°C

4) Installation Requirements

Loudspeakers must be installed in accordance with the following or equivalent standards.

EN60079-14:2008 Electrical Installations in Hazardous
IEC60079-14:2007 (Ed4) Areas (other than mines)

EN60079-10:2003 Classification of Hazardous Areas
IEC60079-10:2008 (Ed1)

Installation should only be carried by competent personnel
and any local codes of practice applied.

5) Zones, Gas Group, Category and Temperature Classification

The units can be installed in locations with the following conditions:-

Area Classification:

Zone 1	Explosive gas air mixture likely to occur in normal operation.
Zone 2	Explosive gas air mixture not likely to occur, and if it does, it will only exist for a short time.

Gas Groupings:

Group IIA	Propane
Group IIB	Ethylene
Group IIC (Up to +55°C only)	Hydrogen and Acetylene

Equipment Category: 2G

Temperature Classification:

T1	400° C
T2	300° C
T3	200° C
T4	135° C

Ambient Temperature Range:

-50°C to +55°C Gas Groups IIA, IIB and IIC
-50°C to +70°C Gas Group IIA and IIB

6) Loudspeaker Location and Mounting

See drawing A

7) Safety Warning (Electrostatic Hazard)

The acoustic horn section is made of ABS Plastic; therefore to avoid a possible ELECTROSTATIC CHARGE the unit must only be cleaned with a damp cloth.

8) Access to the Flameproof Enclosure

See drawing B

Note the four **M6 screws are Class A4-80 stainless steel and only screws of this category can be used on these sounders.** It is therefore important that these screws and their spring washers are kept in a safe place during installation.

9) Power Amplifier Selection

It is important that the loudspeakers are connected to power amplifiers that have outputs that are compatible to the type of loudspeaker being used. Loudspeakers with a 100V or 70V line matching transformer fitted must be connected to a power amplifier with a 100V or 70V line output. Low impedance 8 ohm or 16 ohm loudspeakers must be connected to amplifiers with a suitable low impedance output. When selecting the cable size consideration must be given to the current that each unit draws, the number of loudspeakers on the line and the length of the cable runs.

The following table shows the range of loudspeakers:-

Unit Type	Input	Wattage	Max. I/P Volts
BExL25D	100V Line	25W	100V
BExL25D	70V Line	25W	70V
BExL25D	8 ohm	25W	14.14V
BExL25D	16 ohm	25W	20V

BExL15D	100V Line	15W	100V
BExL15D	70V Line	15W	70V
BExL15D	8 ohm	15W	10.95V
BExL15D	16 ohm	15W	15.49V

The above table also shows the maximum AC signal voltages at which the loudspeakers can be operated.

The current levels taken by the each loudspeaker will depend on which output tapping has been selected (see section 13 of this instruction manual). BExL25D 100V & 70V Line units have output levels of 25W, 12.5W, 6W and 2W, BExL15D 100V & 70V Line units have output levels of 15W, 7.5W, 3W and 1W.

10) Cable Selection

Cables must be capable of handling the current drawn from all of the units on the line.

SAFETY WARNING: If the high output BExL25D loudspeakers are used at high ambient temperatures, i.e. over +40°C, then the cable entry temperature may exceed +70°C and therefore suitable heat resisting cables must be used, with a rated service temperature of at least 110°C.

11) Earthing

Loudspeakers units must be connected to a good quality earth. The units are provided with internal and external earthing terminals, which are, both located on the terminal chamber section of the unit (see figures 2 and 3).

When using the internal earth terminal ensure that the stainless steel M4 flat washer is between the incoming earth wire and the enclosure.

When using the external earth terminal a cable crimp lug must be used. The cable lug should be located between the two M5 stainless steel flat washers. The M5 stainless steel spring washer must be fixed between the outer flat washer and the M5 stainless steel nut to ensure that the cable lug is secured against loosening and twisting.

12) Cable Glands

The sounders have dual cable gland entries with M20 x1.5 entry threads. Only cable glands approved for Ex 'd' applications can be used, which must be suitable for the type of cable being used and also meet the requirements of the Ex 'd' flameproof installation standard EN60079-14:2008 / IEC60079-14:2007.

SAFETY WARNING: If the high output BExL25D loudspeakers are used at high ambient temperatures, i.e. over +40°C, then the cable entry temperature may exceed +70°C and therefore suitable heat resisting cable glands must be used, with a rated service temperature of at least 110°C.

If a high IP (Ingress Protection) rating is required then a suitable sealing washer must be fitted under the cable gland.

When only one cable entry is used the other one must be closed with an Ex 'd' flameproof blanking plug, which must be suitably approved for the installation requirements.

13) Cable Connections

Terminals	BExL25D (25W)	BExL15D (15W)
A - B	25W	15W
A - C	12.5W	7.5W
A - D	6W	3W
A - E	2W	1W

See drawings C and D / wiring diagram E

14) End of Line DC Monitoring

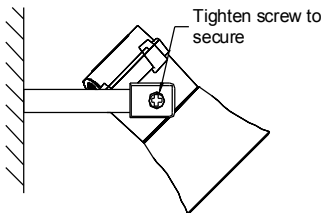
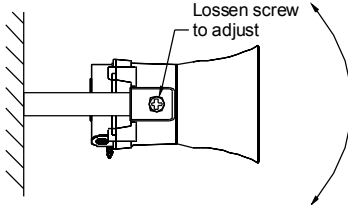
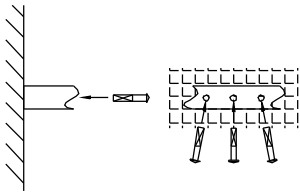
On BExL25D and BExL15D loudspeakers, dc line monitoring can be used if required. Both the 100V & 70V Line units and the Low Impedance units have a blocking capacitor fitted. It should be noted that each loudspeaker has a 1M ohm bleed resistor connected across the blocking capacitor and this should be taken into account when selecting the value of the end of line monitoring resistance.

The end of line monitoring resistor can be connected across the terminals on the end of line unit. On the low impedance units care must be taken with the polarity of the monitoring voltage.

On 100V and 70V line units the end of line resistor used must have a minimum resistance value of 4k7 ohms and a minimum wattage of 2.5 watts

On low impedance units the end of line resistor used must have a minimum resistance value of 2k ohms and a minimum wattage of 0.5 watts or a minimum resistance value of 500 ohms and a minimum wattage of 2 watts. On the low impedance units care must be taken with the polarity of the monitoring voltage. If an end of line resistor is fitted to a unit the links on the printed circuit boards of all loudspeakers in the line must be cut for the dc blocking capacitors to be in circuit in order to dc monitor the line (see figure 5).

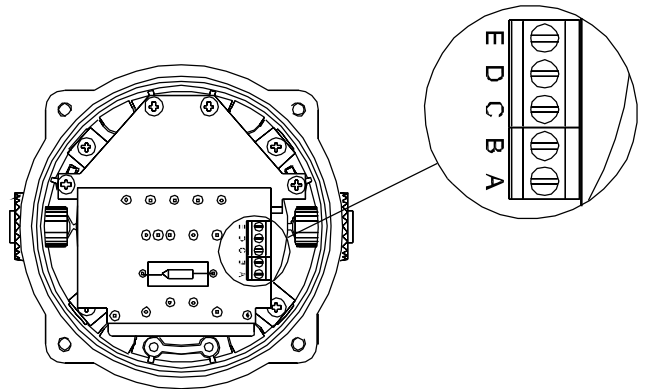
Drawing A



Loosen screw to adjust.
 Løsn skruen for at tilpasse.
 Schroef losdraaien om af te stellen.
 Desserrer la vis pour régler.
 Zum Regulieren Schraube lockern.
 Allentare la vite per poter effettuare la regolazione.
 Løse skruen for å justere.
 Desaperte o parafuso para ajustar.
 Afloje el tornillo para ajustar.
 Lossa skruven för att justera.

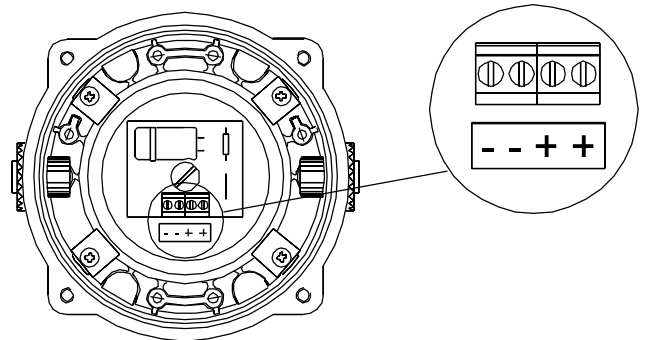
Tighten screw to secure.
 Spænd skruen for at fastgøre.
 Schroef aandraaien om vast te zetten.
 Serrer la vis pour une fixation sûre.
 Zum Sichern Schraube anziehen.
 Stringere la vite per il fissaggio.
 Stram skruen for å feste.
 Aperte o parafuso para fixar.
 Apriete el tornillo para asegurar.
 Dra åt skruven för att fästa.

Drawing C



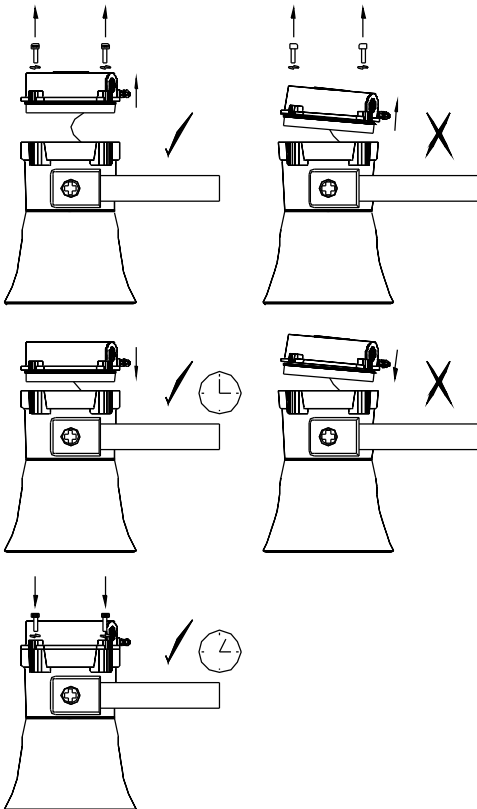
BExL25D & BExL15D 100V Line

Drawing D

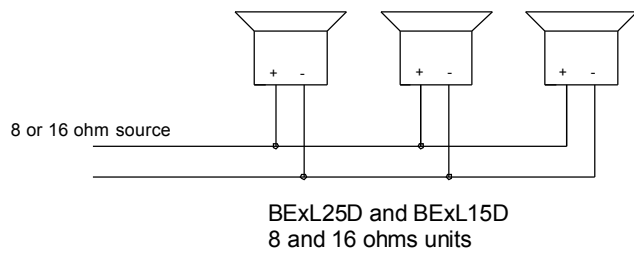
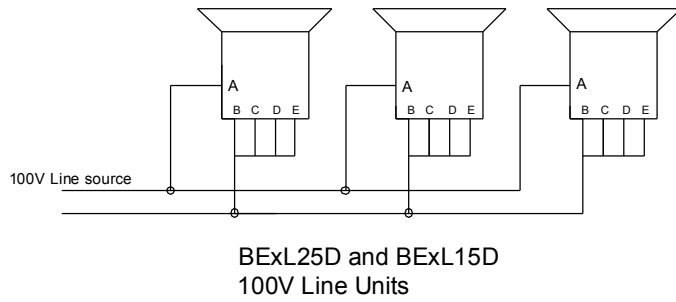


BExL25D & BExL15D
 8 ohm and 16 ohm

Drawing B



Wiring Diagram E



2) Mærkater

Alle enheder har en klassificeringsmærkat, der bærer følgende vigtige oplysninger:

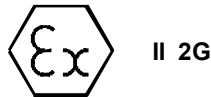
Enhedstypenr. BExL25D eller BExL15D

Impedans: 8 ohm eller 16 ohm
100V eller 70V Linie

Kode: Ex d IIC T4 for Ta -50°C to +55°C
Ex d IIB T4 for Ta -50°C to +70°C

Certifikatnr. KEMA 99ATEX6312
IECEX KEM 10.0003

Epsilon x:
Udstyrets gruppe
og kategori:



CE-mærke:
Noteret
myndighedsnr.



"Advarsler"

MÅ IKKE ÅBNES
I EKSPLOSIV
GASATMOSFÆRE

DÆKBOLTE KLASSE A4-80

BRUG VARMEBESTANDIGE KABLER OG PAKDÅSER
(Mærket 110°C) VED OMGIVENDE TEMP. OVER 40°C

4) Installationskrav

Højttalere skal installeres i overensstemmelse med følgende eller tilsvarende standarder.

EN60079-14:2008 Elektriske installationer i sundheds
IEC60079-14:2007 (Ed4) farlige områder (undtagen miner)

EN60079-10:2003 Klassifikation af sundhedsfarlige om
IEC60079-10:2008 (Ed1) råder

Installation bør kun udføres af kompetent personale og under
iagttagelse af lokale regler.

5) Zone-, gasgruppe-, kategori- og temperaturklassifikation

Enhederne kan installeres på områder med følgende forhold:

Områdeklassifikation:

Zone 1	Ekspllosiv gas- og luftblanding kan forekomme ved normal drift.
Zone 2	Ekspllosiv gas- og luftblanding forekommer sandsynligvis ikke, og hvis det sker, vil det kun være for en kort tidsperiode.

Gasgrupperinger:

Gruppe IIA	Propan
Gruppe IIB	Ethylen
Gruppe IIC < +55°C	Hydrogen og acetylen

Udstyrskategori: 2G

Temperaturklassifikation:

T1	400°C
T2	300°C
T3	200°C
T4	135°C

Omgivende temperatur:

-50°C til +55°C Gasgrupperinger IIA, IIB og IIC
-50°C til +70°C Gasgrupperinger IIA og IIB

6) Højttalerplacering og -montering

Se illustration A

7) Sikkerhedsadvarsel (Elektrostatisk sundhedsfare)

Delen med det akustiske horn er fremstillet af ABS-plast, og for at undgå en mulig ELEKTROSTATISK LADNING må enheden kun rengøres med en fugtig klud.

8) Adgang til flammesikker indkapsling

Se illustration B

Bemærk, at de fire **M6 skruer er klasse A4-80, rustfri stål, og der må kun anvendes skruer af denne kategori på sounderne**. Det er derfor vigtigt, at skruerne og deres fjederskiver opbevares på et sikkert sted under installation.

9) Valg af strømforstærker

Det er vigtigt, at højttalerne er forbundet til strømforstærkere, der har udgange kompatible med den type højttaler, der anvendes. Højttalere udstyret med en 100V eller 70V ledningsafstemningstransformer skal være forbundet til en strømforstærker med en 100V eller 70V ledningsudgang. Lavimpedans højttalere med 8 ohm eller 16 ohm skal være forbundet til forstærkere med tilsvarende lav impedansudgang. Når kabelstørrelsen vælges, skal den strøm, hver enhed trækker, antallet af højttalere på ledningen og længden af kabler tages i betragtning.

Nedenstående tabel viser udvalget af højttalere:

Enhedstype	Input	Watt	Maks. I/P Volt
BExL25D	100V Linie	25W	100V
BExL25D	70V Linie	25W	70V
BExL25D	8 ohm	25W	14,14V
BExL25D	16 ohm	25W	20V

BExL15D	100V Linie	15W	100V
BExL15D	70V Linie	15W	70V
BExL15D	8 ohm	15W	10,95V
BExL15D	16 ohm	15W	15,49V

Ovenstående tabel viser også de maksimale AC-signalspændinger, som højttalerne kan fungere ved.

Strømniveauerne for hver højttaler afhænger af det valgte viklingsudtag (se afsnit 13 i instruktionsmanualen). BExL25D 100V og 70V linieenheder har udgangsniveauer på 25W, 12.5W, 6W og 2W, BExL15D 100V og 70V linieenheder har udgangsniveauer på 15W, 7.5W, 3W og 1W.

10) Kabeludvalg

Kablerne skal kunne håndtere den samlede strøm fra alle anvendte enheder.

SIKKERHEDSADVARSEL: Hvis de højtydende BExL25D-højttalere anvendes ved høje omgivende temperaturer, dvs. over +40°C, kan kablets indgangstemperatur overstige +70°C, og der skal derfor anvendes passende varmebestandige kabler med en nominel arbejdstemperatur på mindst 110°C.

11) Jordforbindelse

Højttalerenheder skal være forbundet til en jordforbindelse af høj kvalitet. Enhederne har indvendige og udvendige jordklemmer, der begge befinder sig på enhedens klemkammerdel (se figur 2 og 3).

Når den udvendige jordklemmel anvendes, skal der bruges en kabelklemmesko. Kabelskoen skal befinde sig mellem to flade M5-spændeskiverr af rustfrit stål. De rustfrie stål-spændeskiver skal fastgøres mellem den ydre flade skive og M5-møtrikken af rustfrit stål for at sikre, at kabelskoen ikke løsner eller vrider sig.

12) Kabelafslutning

Højttalere har dobbelte kabelafslutningsindgange med M20 x1,5 indgangsgevind. Kun kabelafslutninger godkendt til Ex 'd'-applikationer må anvendes og skal passe til den type kabel, der anvendes samt opfylde kravene i Ex 'd', standard for flammesikker installation EN60079-14:2008 / IEC60079-14:2007.

SIKKERHEDSADVARSEL: Hvis de højtydende BExL25D-højttalere anvendes ved høje omgivende temperaturer, dvs. temperaturer over +40°C, kan kablets indgangstemperatur overstige +70°C, og der skal derfor anvendes passende varmebestandige kabler med en nominel arbejdstemperatur på mindst 110°C.

Hvis der kræves en høj IP-klassificering (beskyttelse mod indtrængen), skal der monteres en egnet tætnings-skive under kabelafslutningen.

Når der kun anvendes en kabelindgang, skal den anden lukkes med en Ex 'd', flammesikker blindprop, der skal være korrekt godkendt i overensstemmelse med installationskravene.

13) Kabelforbindelser

Terminal	BExL25D (25W)	BExL15D (15W)
A - B	25W	15W
A - C	12.5W	7.5W
A - D	6W	3W
A - E	2W	1W

Se illustrationen C og D / Se ledningsdiagram E

14) Linieslutovervågning (DC)

På BExL25D og BExL15D højttalere kan der anvendes DC-linieovervågning, hvis påkrævet. Både 100V og 70V linieenheder og lavimpedansenheder er udstyret med en spærrekapacitet. Det bør bemærkes, at hver højttaler har en 1M ohm udtagningsmodstand forbundet på tværs af spærrekapaciteten, og at dette skal tages i betragtning, når værdien af linieslutovervågningsmodstanden vælges.

Modstanden for linieslutovervågningen kan forbindes på tværs af klemmerne på linieslutenheden. På lavimpedansenhederne skal der udvises forsigtighed, med overvågningsspændingens polaritet.

På 100V linieenheder skal den anvendte linieslutmodstand have en minimum modstandsværdi på 4k7 ohm og en minimum wattnominering på 2,5 watt.

På lavimpedansenheder skal den anvendte linieslutmodstand have en minimum modstandsværdi på 2k ohm og et minimum watt-tal på 0,5 watt eller en minimum modstandsværdi på 500 ohm og et minimum watt-tal på 2 watt. På lavimpedansenhederne bør der udvises forsigtighed med overvågningsspændingens polaritet. Hvis der er monteret en linieslutmodstand på en enhed, skal forbindelserne på det trykte kredsløbskort på alle højttalere på ledningen være tilpasset, så DC-blokeringskondensatorerne kan være i kredsløbet, for at DC-overvåge ledningen (se figur 5).

2) Labels

Alle eenheden zijn voorzien van een label, waarop de volgende belangrijke informatie staat:

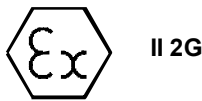
Typenr. eenheid: BExL25D of BExL15D

Impedantie: 8 ohm of 16 ohm
100V of 70V Lijn

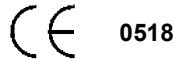
Codes: Ex d IIC T4 for Ta -50°C to +55°C
Ex d IIB T4 for Ta -50°C to +70°C

Certificaatnr. KEMA 99ATEX6312
IECEX KEM 10.0003

Epsilon x:
De uitrustingsgroep
Categorie



CE-certificaat:
Instantienr.



“Waarschuwingen” NIET OPENEN INDIEN EEN
ONTPLOFBARE GAS-ATMOSFEER
AANWEZIG IS

DEKSELBOUTEN KLASSE A4-80

BIJ OMGEVINGSTEMP. HOGER DAN 40° C
HITTEBESTENDIGE KABELS EN KABELWARTELS
GEBRUIKEN (geschikt voor 110° C)

4) Vereisten voor installatie

Luidsprekers moeten worden geïnstalleerd in overeenstemming met de volgende of equivalente normen.

EN60079-14:2008 Elektrische installaties in gevaarlijke
IEC60079-14:2007 (Ed4) omgevingen (anders dan mijnen)

EN60079-10:2003 Classificatie van gevaarlijke
IEC60079-10:2008 (Ed1) omgevingen

Installatie mag alleen worden uitgevoerd door deskundig personeel en met inachtneming van plaatselijke gedragscodes en praktijkrichtlijnen.

5) Classificatie t.a.v. zones, gasgroep, categorie en temperatuur

De eenheden kunnen worden geïnstalleerd op plaatsen waar de volgende omstandigheden heersen:

Classificatie van ruimte:

Zone 1	Ontpofbaar gas-/luchtmengsel is waarschijnlijk bij normaal bedrijf.
Zone 2	Ontpofbaar gas-/luchtmengsel is onwaarschijnlijk, en indien dit ontstaat zal het waarschijnlijk slechts korte tijd aanwezig blijven.

Gasgroeperingen:

Groep IIA	Propana
Groep IIB	Ethyleen
Groep IIC <+55°C	Waterstof en acetyleen

Apparatuurcategorie: 2G

Temperatuurclassificatie:

T1	400° C
T2	300° C
T3	200° C
T4	135° C

Omgevingstemperatuur:

-50° C tot +55° C Gasgroeperingen IIA, IIB en IIC
-50° C tot +70° C Gasgroeperingen IIA en IIB

6) Plaatsing en bevestiging van luidsprekers

Zie tekening A

7) Veiligheidswaarschuwing (Elektrostatisch gevaar)

Het akoestische hoorngedeelte is vervaardigd uit ABS plastic. Om ELEKTROSTATISCHE LADING te voorkomen mag de eenheid derhalve alleen met een vochtige doek worden gereinigd.

8) Toegang tot de vuurvaste behuizing

Zie tekening B

Houdt u er rekening mee dat de vier **M6-schroeven van Klasse A4-80 roestvrij staal zijn en dat op deze alarmgevers alleen schroeven van deze categorie kunnen worden gebruikt.** Het is derhalve belangrijk dat deze schroeven en de bijbehorende veerringen tijdens de installatie op een veilige plaats worden bewaard.

9) Keuze van vermogensversterker

Het is belangrijk dat de luidsprekers worden aangesloten op vermogensversterkers met uitgangen die compatibel zijn met het type luidspreker dat wordt gebruikt. Luidsprekers die zijn uitgerust met een 100 volts of 70 volts lijn transformator moeten worden aangesloten op een vermogensversterker met een 100 volts of 70 volts lijnuitgang. Lage impedantie 8 ohm of 16 ohm luidsprekers moeten worden aangesloten op versterkers met een geschikte lage impedantie-uitgang. Bij het kiezen van de kabelgrootte dient rekening te worden gehouden met de stroom die door elke eenheid wordt getrokken, het aantal luidsprekers op de lijn en de lengte waarover de kabel zich uitstrekt.

De volgende tabel geeft een overzicht van de verschillende luidsprekers:

Type eenheid	Ingang	Wattage	Max. I/P volt
BExL25D	100 V lijn	25 W	100 V
BExL25D	70 V lijn	25 W	70 V
BExL25D	8 ohm	25 W	14,14 V
BExL25D	16 ohm	25 W	20 V
BExL15D	100 V lijn	15 W	100 V
BExL15D	70 V lijn	15 W	70 V
BExL15D	8 ohm	15 W	10,95 V
BExL15D	16 ohm	15 W	15,49 V

De bovenstaande tabel toont tevens de maximale spanning van de wisselstroomsignalen waarop de luidsprekers kunnen werken.

Hoeveel stroom door elke luidspreker wordt getrokken, is afhankelijk van de geselecteerde uitvoeraftakking (zie sectie 13 van deze instructiehandleiding). BExL25D eenheden met een 100 volts en 70 volts lijn hebben een uitvoervermogen van 25 W, 12,5 W, 6 W en 2 W; BExL15D eenheden met een 100 volts en 70V lijn hebben een uitvoervermogen van 15 W, 7,5 W, 3 W en 1 W.

10) Kiezen van kabels

Kabels moeten bestand zijn tegen de stroom die door alle eenheden op de lijn wordt getrokken.

VEILIGHEIDSWAARSCHUWING: als de BExL25D luidsprekers met hoge uitvoer worden gebruikt bij hoge omgevingstemperaturen, m.a.w. hoger dan +40° C, dan kan de temperatuur bij de kabelingang hoger zijn dan +70°C en moeten dus geschikte hittebestendige kabels worden gebruikt, met een nominale werktemperatuur van ten minste 110° C.

11) Aarding

Luidsprekers op wisselstroom als gelijkstroom moeten worden aangesloten op aarding van goede kwaliteit. De eenheden worden geleverd met interne en externe aardaansluitingen, beide aangebracht op het gedeelte met de aansluitkast op de eenheid (zie Afb. 2 en 3).

Bij gebruik van de externe aardaansluiting dient een kabelkrimpous te worden gebruikt. De kabelous moet worden aangebracht tussen de twee M5 roestvrijstalen platte borgschijfjes. De M5 roestvrijstalen veerring moet worden bevestigd tussen het buitenste platte borgschijfje en de M5 roestvrijstalen moer, zodat de kabelous goed is vastgezet en niet kan draaien of losraken.

12) Kabelwartels

De luidsprekers zijn voorzien van dubbele kabelwartelingen met M20 x 1,5 ingangsschroefdraad. Er kunnen alleen kabelwartels worden gebruikt die zijn goedgekeurd voor Ex 'd'-toepassingen, geschikt zijn voor het bekabelingstype dat wordt gebruikt en voldoen aan de vereisten van de norm EN60079-14:2008 / IEC60079-14:2007 ten aanzien van de Ex 'd' vuurvaste installatie.

VEILIGHEIDSWAARSCHUWING: als de BExL25D luidsprekers met hoge uitvoer worden gebruikt bij hoge omgevingstemperaturen, m.a.w. hoger dan +40° C, dan kan

de temperatuur bij de kabelingang hoger zijn dan +70°C en moeten dus geschikte hittebestendige kabelwartels worden gebruikt, met een nominale werktemperatuur van ten minste 110° C.

Indien een hoge IP-waarde is vereist, dient een geschikte afdichtingsring onder de kabelwartel te worden aangebracht.

Indien slechts een kabelingang wordt gebruikt, dient de andere te worden afgesloten met een Ex 'd' vuurvaste afdichtplug, die moet zijn goedgekeurd voor de installatievereisten.

13) Kabelaanluitingen

Terminal	BExL25D (25W)	BExL15D (15W)
A - B	25W	15W
A - C	12.5W	7.5W
A - D	6W	3W
A - E	2W	1W

Zie tekening C en D / Zie bedradingsschema E

14) Gelijkstroombewaking aan het einde van de lijn

Op BExL25D en BExL15D luidsprekers kan desgewenst gelijkstroomlijnbewaking worden gebruikt. Zowel de eenheden met 100 volts en 70 volts lijn als de eenheden met lage impedantie zijn uitgerust met een spercondensator. Men dient er rekening mee te houden dat elke luidspreker een 1M ohm voorbelastingweerstand heeft die is aangesloten op de spercondensator en hiermee dient rekening te worden gehouden bij het kiezen van de waarde voor de bewakingsweerstand aan het einde van de lijn.

De bewakingsweerstand aan het einde van de lijn kan worden aangesloten op de contacten op de eenheid aan het einde van de lijn. Op de eenheden met lage impedantie moet terdege rekening worden gehouden met de bewakingsspanning.

Op eenheden met een 100 volts lijn dient de gebruikte weerstand aan het einde van de lijn een minimumweerstandswaarde van 4k7 ohm en een minimumwattage van 2,5 watt te hebben.

Op eenheden met lage impedantie dient de gebruikte weerstand aan het einde van de lijn een minimumweerstandswaarde van 2k ohm en een minimumwattage van 0,5 watt of een minimumweerstandswaarde van 500 ohm en een minimumwattage van 2 watt te hebben. Op de eenheden met lage impedantie moet terdege rekening worden gehouden met de bewakingsspanning. Indien een weerstand aan het einde van de lijn is gemonteerd op een eenheid, moeten de koppelingen op de printkaarten van alle luidsprekers in de lijn worden afgesneden, zodat de gelijkstroomsperscondensatoren in circuit zijn; dit om gelijkstroombewaking op de lijn mogelijk te maken (zie Afb. 5).

2) Marquage

Les caractéristiques nominales de toutes les unités figurent sur une étiquette comportant les informations importantes suivantes :

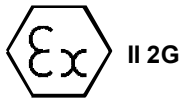
N° de type d'unité : BExL25D ou BExL15D

Impédance: 8 ohm ou 16 ohm
Ligne 100V ou 70V

Codes: Ex d IIC T4 for Ta -50°C to +55°C
Ex d IIB T4 for Ta -50°C to +70°C

N° certificat : KEMA 99ATEX6312
IECEx KEM 10.0003

Epsilon x :
Groupe
d'équipement
catégorie du gaz :



Marquage CE :
N° de l'organisme
notifié



"Avertissements" NE PAS OUVRIR DANS UNE ATMOSPHERE
CONTENANT UN GAZ EXPLOSIF

BOULONS DE COUVERCLE DE CLASSE A4-80

UTILISER DES CABLES ET DES PRESSE-ETOUPE
RESISTANTS A LA CHALEUR (Valeur nominale 110°C)
A DES TEMPERATURES AMBIANTES
SUPERIEURES A 40°C

4) Spécifications d'installation

Les haut-parleurs doivent être installées selon les normes suivantes, ou des équivalents.

EN60079-14:2008 Installations électriques dans des
IEC60079-14:2007 (Ed4) zones dangereuses (autres que des
mines)

EN60079-10:2003 Classification des zones dangereuses
IEC60079-10:2008 (Ed1)

L'installation doit être effectuée uniquement par un personnel compétent et conformément aux codes de pratique locaux.

5) Classification des zones, du groupe et de la catégorie de gaz et des températures

Les unités peuvent être installées dans des endroits respectant les conditions suivantes :

Classification de zone :

Zone 1	Mélange d'air et de gaz explosif pouvant survenir en condition normale.
Zone 2	Mélange d'air et de gaz explosif ne pouvant pas survenir et qui, dans le cas contraire, serait présent que très brièvement.

Groupes de gaz :

Groupe IIA	Propane
Groupe IIB	Ethylène
Groupe IIC < +55°C	Hydrogène et Acétylène

Catégorie de matériel : 2G

Classification des températures :

T1	400°C
T2	300°C
T3	200°C
T4	135°C

Plage de températures ambiantes :

-50°C à +55°C Groupes de gaz IIA, IIB et IIC
-50°C à +70°C Groupes de gaz IIA et IIB

6) Assemblage et emplacement de l'haut-parleurs

Se reporter au schéma A

7) Avertissement de sécurité (Danger électrostatique)

Le pavillon acoustique est composé de plastique ABS ; c'est pourquoi l'unité doit être nettoyée avec un chiffon humide afin d'éviter tout risque de CHOC ELECTROSTATIQUE.

8) Accès au boîtier antidéflagrant

Se reporter au schéma B

Remarque : les quatre vis M6 sont en acier inoxydable de classe A4-80 et seules des vis de ce type doivent être utilisées sur ces alarmes sonores. C'est pourquoi il est important de les conserver, ainsi que leurs rondelles à ressort, en un endroit sûr pendant l'installation.

9) Sélection de l'amplificateur de puissance

Il est important que les haut-parleurs soient connectés à des amplificateurs de puissance possédant des sorties compatibles avec le type de haut-parleurs utilisés. Les haut-parleurs installés avec un transformateur d'adaptation de ligne de 100V ou 70V doivent être connectés à un amplificateur de puissance possédant une sortie de ligne de 100V ou 70V. Les haut-parleurs de faible impédance de 8 ohms ou 16 ohms doivent être connectés à des amplificateurs d'une impédance faible correspondante. Lors de la sélection de la taille du câble, il faut prendre en compte le courant utilisé par chaque unité, le nombre de haut-parleurs sur la ligne ainsi que la longueur du chemin de câble.

Le tableau suivant indique la plage de haut-parleurs :

Type d'unité	Entrée	Puissance	Volts I/P Max.
BExL25D	Ligne 100 V	25 W	100 V
BExL25D	Ligne 70 V	25 W	70 V
BExL25D	8 ohms	25 W	14,14 V
BExL25D	16 ohms	25 W	20 V
BExL15D	Ligne 100 V	15 W	100 V
BExL15D	Ligne 70 V	15 W	70 V
BExL15D	8 ohms	15 W	10,95 V
BExL15D	16 ohms	15 W	15,49 V

Le tableau ci-dessus indique également les tensions de signal CA maximum de fonctionnement des haut-parleurs.

Les niveaux de courant utilisé par chaque haut-parleur dépendent de la prise de sortie sélectionnée (se reporter à la section 13 de ce manuel d'utilisation). Les unités BExL25D de ligne 100V et 70V possèdent des niveaux de sortie de 25 W, 12,5 W, 6 W et 2 W, les unités BExL15D de ligne 100V et 70V possèdent des niveaux de sortie de 15 W, 7,5 W, 3 W et 1 W.

10) Sélection des câbles

Les câbles doivent pouvoir prendre en charge le courant utilisé par toutes les unités sur la ligne.

AVERTISSEMENT DE SECURITE : si les haut-parleurs BExL25D à haut rendement sont utilisées à des températures ambiantes élevées, c'est-à-dire supérieures à +40°C, la température d'entrée du câble peut excéder +70°C et des câbles résistants à la chaleur doivent être utilisés, d'une température de service assignée de 110°C minimum.

11) Mise à la terre

Les haut-parleurs doivent être connectés à un système de mise à la terre de bonne qualité. Les unités sont fournies avec des bornes de mise à la terre externe et interne qui sont toutes les deux situées sur la section de chambre terminale de l'unité (se reporter aux figures 2 et 3).

Lors de l'utilisation de la borne de mise à la terre externe, employer une cosse à sertir. La cosse à sertir doit être située entre les deux rondelles plates M5 en acier inoxydable. La rondelle à ressort M5 en acier inoxydable doit être fixée entre la rondelle plate externe et l'écrou M5 en acier inoxydable afin que la cosse à sertir ne se desserre ni ne se torde.

12) Presse-étoupe

Les alarmes sonores ont deux entrées de presse-étoupe avec des filetages d'entrée M20 x1,5. Seuls les presse-étoupe approuvés pour les applications Ex 'd' peuvent être utilisés, et ils doivent être adéquats pour le type de câble utilisé et répondre aux exigences d'installation d'antidéflagrant Ex 'd' de norme EN60079-14:2008 / IEC60079-14:2007.

AVERTISSEMENT DE SECURITE : si les haut-parleurs BExL25D à haut rendement sont utilisées à des températures ambiantes élevées, c'est-à-dire supérieures à +40°C, la température d'entrée du câble peut excéder +70°C et des câbles résistants à la chaleur doivent être utilisés, d'une température de service assignée de 110°C minimum.

Si un degré de protection d'entrée (IP) élevé est requis, alors une rondelle d'étanchéité adéquate doit être installée sous le presse-étoupe.

Lorsqu'une seule entrée de câble est utilisée, un bouchon obturateur antidéflagrant Ex 'd', répondant aux exigences d'installation, doit être appliqué sur l'autre entrée.

13) Connexions de câble

Terminals	BExL25D (25W)	BExL15D (15W)
A - B	25W	15W
A - C	12.5W	7.5W
A - D	6W	3W
A - E	2W	1W

Se reporter au schéma C et D / Se reporter au schéma de câblage E

14) Contrôle CC de fin de ligne

Sur les haut-parleurs BExL25D et BExL15D, le contrôle de ligne cc peut être utilisé si nécessaire. Un condensateur d'arrêt est installé sur l'unité de ligne 100V et 70V tout comme sur l'unité de faible impédance. Il convient de noter que chaque haut-parleur possède une résistance régulatrice de 1M ohms connectée sur le condensateur d'arrêt et ceci doit être pris en compte lors de la sélection de la valeur de la résistance de contrôle de fin de ligne.

La résistance de contrôle de fin de ligne peut être connectée sur les bornes de l'unité de fin de ligne. Pour les unités de faible impédance, il convient de porter une attention particulière à la polarité de la tension de contrôle.

Sur les unités de ligne de 100V et 70V, la résistance de fin de ligne utilisée doit avoir une valeur de résistance minimum de 4k7 ohms et une puissance minimum de 2,5 watts.

Sur les unités de faible impédance, la résistance de fin de ligne utilisée doit avoir une valeur de résistance minimum de 2k ohms et une puissance minimum de 0,5 watt ou une valeur de résistance minimum de 500 ohms et une puissance minimum de 2 watts. Sur les unités de faible impédance, il convient de porter une attention particulière à la polarité de la tension de contrôle. Si une résistance de fin de ligne est installée sur une unité, les liaisons sur les cartes à circuits imprimés de tous les haut-parleurs dans la ligne doivent être coupées pour que les condensateurs d'arrêt cc soient en circuit afin d'assurer le contrôle cc de la ligne (se reporter à la figure 5).

2) Kennzeichnung

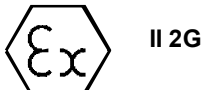
Alle Geräte sind mit einem Typenschild mit den folgenden wichtigen Informationen versehen:-


Gerätetyp-Nr. BExL25D oder BExL15D

Impedanz: 8 ohm oder 16 ohm
100V oder 70V Leitung

Codes: Ex d IIC T4 for Ta -50°C to +55°C
Ex d IIB T4 for Ta -50°C to +70°C

Zertifikat-Nr. KEMA 99ATEX6312
IECEx KEM 10.0003

Epsilon x:
Gerätegruppe und
kategorie: 

CE-Kennzeichnung:/
Bekannt gegebene Nr. 

Warnung NICHT IN EXPLOSIVER GAS-ATMOSPHERE
ÖFFNEN

ABDECKSCHRAUBEN KLASSE A4-80

WÄRMEBESTÄNDIGE KABEL UND
KABELFLANSCH VERWENDEN
(Nennleistung 110°C) BEI UMGEB.-TEMP. ÜBER 40°C

4) Installationsanforderungen

Die Sounder müssen gemäß den folgenden oder vergleichbaren Standards installiert werden.

EN60079-14:2008 Elektrische Installationen in
IEC60079-14:2007 (Ed4) Gefahrenbereichen (außer
Bergwerken)

EN60079-10:2003 Klassifizierung von Gefahrenbereichen
IEC60079-10:2008 (Ed1)

Die Installation sollte nur von qualifiziertem Fachpersonal vorgenommen werden. Örtliche anerkannte Verfahren sind zu beachten.

5) Zonen, Gasgruppe, Kategorie und Temperaturklassifizierung

Die Geräte können an Standorten aufgestellt werden, an denen die folgenden Bedingungen vorliegen:-

Klassifizierung des Bereichs:

Zone 1	Bei normalem Betrieb kann mit hoher Wahrscheinlichkeit eine explosive Gas-Luft-Mischung vorliegen.
Zone 2	Explosive Gas-Luft-Mischung unwahrscheinlich und sollte sie doch auftreten, dann nur kurzfristig.

Gasgruppen:

Gruppe IIA	Propan
Gruppe IIB	Äthylen
Gruppe IIC < +55°C	Wasserstoff und Azetylen

Geräteklasse: 2G

Temperaturklassifizierung:

T1	400° C
T2	300° C
T3	200° C
T4	135° C

Umgebungstemperaturbereich:

-50°C bis +55°C Gasgruppen IIA, IIB und IIC
-50°C bis +70°C Gasgruppen IIA und IIB

6) Lautsprecher-Standort und Montage

Siehe Zeichnung A

7) Sicherheitshinweise (Gefahr der elektrostatischen Aufladung)

Der Trichterlautsprecher ist aus ABS-Kunststoff gefertigt; um eine mögliche ELEKTROSTATISCHE AUFLADUNG zu vermeiden, darf das Gerät nur mit einem feuchten Tuch gereinigt werden.

8) Zugang zum schwer entflammaren Gehäuse

Siehe Zeichnung B

Hinweis: Die vier **Schrauben M6 sind aus Edelstahl Klasse A4-80 gefertigt. Für diese Sounder sind nur Schrauben dieser Kategorie geeignet.** Diese Schrauben und die zugehörigen Federringe sind beim Einbau daher sorgfältig aufzubewahren.

9) Wahl des Leistungsverstärkers

Die Lautsprecher müssen unbedingt an Verstärker angeschlossen werden, deren Ausgabe mit dem verwendeten Lautsprechertyp kompatibel ist. Lautsprecher mit einem integrierten Leistungsanpasstransformator von 100V oder 70V müssen an einen Leistungsverstärker mit 100V oder 70V Leistungsausgabe angeschlossen werden. Lautsprecher mit einem niedrigen Scheinwiderstand von 8 Ohm oder 16 Ohm müssen an Verstärker mit geeigneter niederohmiger Ausgabe angeschlossen werden. Bei der Wahl der Kabelgröße müssen der von den einzelnen Geräten benötigte Strom, die Anzahl von Lautsprechern in der Leitung und die Länge der Kabelführungen berücksichtigt werden.

Folgende Tabelle zeigt den Bereich der Lautsprecher:-

Gerätetyp	Eingang	Watt	Max. I/P-Spannung
BExL25D	100 V Leitung	25 W	100 V
BExL25D	70 V Leitung	25 W	70 V
BExL25D	8 Ohm	25 W	14,14 V
BExL25D	16 Ohm	25 W	20 V
BExL15D	100 V Leitung	15 W	100 V
BExL15D	70 V Leitung	15 W	70 V
BExL15D	8 Ohm	15 W	10,95 V
BExL15D	16 Ohm	15 W	15,49 V

Obige Tabelle zeigt zudem die maximale Wechselstrom-Signalspannung, mit der die Lautsprecher betrieben werden können.

Wie viel Strom die einzelnen Lautsprecher entnehmen, hängt von der gewählten Ausgabeabzweigung ab (siehe Abschnitt 13 dieser technischen Hinweise). BExL25D-Geräte mit 100V und 70V Leitung haben eine Ausgabeleistung von 25 W, 12,5 W, 6 W und 2 W, BExL15D-Geräte mit 100V-Leitung haben eine Ausgabeleistung von 15 W, 7,5 W, 3 W und 1 W.

10) Kabelwahl

Die Kabel müssen den Strom aller angeschlossenen Geräte führen können.

SICHERHEITSHINWEIS: Wenn die BExL25D High-Output-Lautsprecher bei hohen Umgebungstemperaturen eingesetzt werden (d. h. bei über +40°C), kann die Kabeleingangstemperatur +70°C übersteigen. Daher sind geeignete hitzebeständige Kabel mit einer Nennbetriebstemperatur von mindestens 110°C zu verwenden.

11) Erdung

Lautsprechergeräte müssen mit einer hochwertigen Erdung verbunden werden. Die Geräte sind mit internen und externen Erdklemmen (am Klemmkammerteil des Geräts, siehe Abb. 2 und 3) versehen.

Bei Verwendung der externen Erdklemme ist ein Quetschkabelschuh zu verwenden, der zwischen den beiden flachen M5-Edelstahl-Unterlegscheiben eingesetzt werden sollte. Die M5-Unterlegscheiben sind zwischen der äußeren flachen Unterlegscheibe und der M5-Edelstahlmutter einzusetzen, um zu gewährleisten, dass der Kabelschuh sich nicht lösen oder verdrehen kann.

12) Kabelflansche

Die Sounder sind mit doppelten Kabelflanscheingängen mit Eingangsgewinden von M20 x1.5 versehen. Es dürfen nur Kabelflansche verwendet werden, die für Ex 'd'-Anwendungen zugelassen sind. Die Kabelflansche müssen für den eingesetzten Kabeltyp geeignet sein und zudem den Anforderungen der Ex 'd'-Norm zur Installation schwer entflammbarer Geräte EN60079-14:2008 / IEC60079-14:2007 entsprechen.

SICHERHEITSHINWEIS: Wenn die BExL25D High-Output-Lautsprecher bei hohen Umgebungstemperaturen eingesetzt werden (d. h. bei über +40°C), kann die Kabeleingangstemperatur +70°C übersteigen. Daher sind geeignete hitzebeständige Kabelflansche mit einer Nennbetriebstemperatur von mindestens 110°C zu verwenden.

Wenn eine hohe IP-Leistung (Eintrittsschutz) erforderlich ist, muss eine geeignete Dichtungsscheibe unter dem Kabelflansch eingesetzt werden.

Wenn nur ein Kabeleingang verwendet wird, muss der andere mit einem schwer entflammaren Ex 'd' Handlochverschluss, der für die Installationsbedingungen zugelassen ist, verschlossen werden.

13) Kabelanschlüsse

Terminals	BExL25D (25W)	BExL15D (15W)
A - B	25W	15W
A - C	12.5W	7.5W
A - D	6W	3W
A - E	2W	1W

Siehe Zeichnung C und D / Siehe Schaltbild E

14) Überwachung des Leitungsendes

Bei BExL25D- und BExL15D-Lautsprechern kann bei Bedarf eine Wechselstrom-Leitungskontrolle eingesetzt werden. Sowohl die an die 100V und 70V Leitung angeschlossenen Geräte als auch die niederohmigen Geräte sind mit einem Sperrkondensator ausgestattet. Hinweis: Bei jedem Lautsprecher ist ein 1M Ohm Ableitungswiderstand an den Sperrkondensator angeschlossen. Dies sollte bei der Festlegung des Wertes für den Kontrollwiderstand am Leitungsende berücksichtigt werden.

Der Kontrollwiderstand für das Leitungsende kann über die Klemmen am Leitungsende-Gerät angeschlossen werden. Bei den niederohmigen Geräten ist auf die Polarität der Kontrollspannung zu achten.

Bei Geräten mit 100V und 70V Leitung muss der verwendete Widerstand am Leitungsende einen Widerstandswert von mindestens 4k7 Ohm und eine Mindestleistung von 2,5 Watt aufweisen.

Bei niederohmigen Geräten muss der verwendete Widerstand am Leitungsende einen Widerstandswert von mindestens 2k Ohm und eine Mindestleistung von 0,5 Watt oder aber einen Widerstandswert von mindestens 500 Ohm und eine Mindestleistung von 2 Watt aufweisen. Bei niederohmigen Geräten ist auf die Polarität der Kontrollspannung zu achten. Wenn ein Leitungsende-Widerstand an ein Gerät angeschlossen ist, müssen die Verbindungen auf den gedruckten Leiterplatten aller an die Leitung angeschlossenen Lautsprecher so geschnitten werden, dass die Wechselstrom-Sperrkondensatoren im Kreislauf sind und der Gleichstrom der Leitung überwacht werden kann (siehe Abb. 5).

2) Marchio

Tutte le unità sono dotate di etichetta contenente le seguenti importanti informazioni:-

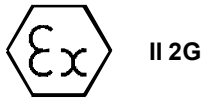
N. tipo unità BExL25D o BExL15D

Impedenza: 8 ohm o 16 ohm
 Linea 100V o 70V

Codice: Ex d IIC T4 for Ta -50°C to +55°C
 Ex d IIB T4 for Ta -50°C to +70°C

N. certificato KEMA 99ATEX6312
 IECEx KEM 10.0003

Epsilon x:
 Gruppo e categoria
 apparecchiatura



Marchio CE:
 N. notifica



“Attenzione” NON APRIRE L'ATTREZZATURA IN
 PRESENZA DI GAS ESPLOSIVI NELL'ARIA

COPRIRE I BULLONI CON UNA COPERTURA
 CLASSE A4-80

USARE CAVI E PREMISTOPPA PER CAVI RESISTENTI AL
 CALORE (temp. nominale 110 °C) SE LA
 TEMPERATURA AMB. È SUPERIORE A 40 °C

4) Requisiti di installazione

Le altoparlante devono essere installate in conformità con i seguenti standard o standard equivalenti.

EN60079-14:2008 Installazioni elettriche in aree
 IEC60079-14:2007 (Ed4) pericolose (tranne che nelle miniere)

EN60079-10:2003 Classificazione delle aree pericolose
 IEC60079-10:2008 (Ed1)

L'installazione deve essere eseguita da personale competente e devono essere applicati tutti i codici professionali I °Cali.

5) Classificazione delle zone, dei gruppi di gas, delle categorie e delle temperature

Le unità possono essere installate in ambienti che presentano le seguenti condizioni:-

Classificazione delle aree:

Zona 1	È probabile la presenza di gas esplosivo durante il normale funzionamento.
Zona 2	Non è probabile che sia presente gas esplosivo, e se esso dovesse essere presente, potrà esserlo solo per un breve periodo di tempo.

Gruppi di gas:

Gruppo IIA	Propano
Gruppo IIB	Etilene
Gruppo IIC < +55°C	Idrogeno e Acetilene

Categoria di attrezzature: 2G

Classificazione delle temperature:

T1	400 °C
T2	300 °C
T3	200 °C
T4	135 °C

Intervallo della temperatura ambientale:

da -50 °C a +55 °C Gruppi di gas IIA, IIB e IIC
 da -50 °C a +70 °C Gruppi di gas IIA e IIB

6) Posizione e montaggio delle altoparlante

Vedere figura A

7) Avviso di sicurezza (Pericolo di cariche elettrostatiche)

La tromba acustica è in plastica ABS; quindi, onde evitare possibili CARICHE ELETTROSTATICHE, l'unità deve essere pulita solo con un panno umido.

8) Accesso al sistema antincendio

Vedere figura B

Le quattro viti **M6** sono in acciaio inossidabile classe **A4-80**; su queste sirene possono essere usate solo viti di questa categoria. Quindi è importante che queste viti e le relative rondelle a molla siano conservate in un luogo sicuro durante l'installazione.

9) Scelta dell'amplificatore di potenza

È importante che gli altoparlanti siano collegati ad amplificatori di potenza dotati di uscite compatibili con il tipo di altoparlante in uso. Gli altoparlanti dotati di trasformatore di adattamento di linea di 100V o 70V incorporato devono essere collegati ad un amplificatore di potenza con un'uscita di linea di 100V o 70V. Gli altoparlanti da 8 ohm o 16 ohm a bassa impedenza devono essere collegati ad amplificatori con un'uscita adeguata a bassa impedenza. Quando si sceglie la dimensione del cavo, occorre prendere in considerazione la corrente che ciascuna unità richiede, il numero di altoparlanti presenti sulla linea e la lunghezza dei tratti di cavo.

La seguente tabella mostra la gamma di altoparlanti:-

Tipo unità	Ingresso	Wattaggio	Volt I/P max.
BExL25D	Linea 100 V	25 W	100 V
BExL25D	Linea 70 V	25 W	70 V
BExL25D	8 ohm	25 W	14,14 V
BExL25D	16 ohm	25 W	20 V
BExL15D	Linea 100 V	15 W	100 V
BExL15D	Linea 70 V	15 W	70 V
BExL15D	8 ohm	15 W	10,95 V
BExL15D	16 ohm	15 W	15,49 V

La tabella sopra riportata mostra inoltre le tensioni di segnale CA massime previste per il funzionamento delle sirene.

I livelli di corrente prelevati da ciascun altoparlante dipendono dalla presa di uscita selezionata (vedere la sezione 13 di questo manuale di istruzioni). Le unità di linea BExL25D da 100V e 70V hanno livelli di uscita di 25 W, 12,5 W, 6 W e 2W, mentre le unità di linea BExL15D da 100V e 70V hanno livelli di uscita di 15 W, 7,5 W, 3 W e 1 W.

10) Scelta dei cavi

I cavi devono essere capaci di sostenere la corrente proveniente da tutte le unità presenti sulla linea.

AVVISO DI SICUREZZA: Se le altoparlante BExL25D ad alta emissione vengono utilizzate in ambienti a temperature elevate, ad esempio superiori a +40 °C, la temperatura in ingresso dei cavi può superare +70 °C, per cui occorre utilizzare cavi adeguati resistenti al calore, con una temperatura nominale di esercizio di almeno 110 °C.

11) Collegamento di terra

Le unità altoparlanti devono essere collegate correttamente a terra. Le unità vengono fornite con morsetti di collegamento a terra interni ed esterni, entrambi situati sulla morsettiera dell'unità (vedere figure 2 e 3).

Quando si utilizza il morsetto di collegamento a terra esterno, occorre utilizzare un capocorda aggraffato per cavi. Il capocorda deve essere posto tra due rondelle piatte in acciaio inossidabile M5. La rondella a molla in acciaio inossidabile M5 deve essere fissata tra la rondella piatta esterna e il dado in acciaio inossidabile M5, in modo da garantire che il capocorda sia fissato saldamente e che quindi non possa allentarsi o attorcigliarsi.

12) Premistoppa per cavi

Le sirene sono dotate di due ingressi per premistoppa con filettature M20 x1.5. Utilizzare solo premistoppa approvati per le applicazioni Ex 'd'; essi inoltre devono essere adeguati al tipo di cavo in uso e devono rispettare gli standard di installazione antincendio Ex 'd' BS EN60079-14:2008 / IEC60079-14:2007.

AVVISO DI SICUREZZA: Se le altoparlante BExL25D ad alta emissione vengono utilizzate in ambienti a temperature elevate, ad esempio superiori a +40 °C, la temperatura in ingresso dei cavi può superare +70 °C, per cui occorre utilizzare premistoppa adeguati resistenti al calore, con una temperatura nominale di esercizio di almeno 110 °C.

Se è richiesta un'elevata protezione in ingresso IP (Ingress Protection), occorre fissare una rondella di tenuta adeguata sotto al premistoppa per cavi.

Quando si utilizza solo un ingresso per cavi, l'altro ingresso deve essere chiuso con un maschio di chiusura antincendio Ex 'd' che deve essere approvato per i requisiti di installazione.

13) Connessioni dei cavi

Terminals	BExL25D (25W)	BExL15D (15W)
A - B	25W	15W
A - C	12.5W	7.5W
A - D	6W	3W
A - E	2W	1W

Vedere figura C e D / Vedere figura E

14) Sistema di controllo di fine linea CC

Sugli altoparlanti BExL25D e BExL15D, se richiesto, è possibile utilizzare il sistema di controllo della linea CC. Sia le unità di linea da 100V e 70V che le unità a bassa impedenza sono dotate di un condensatore di blocco. Si osservi che ciascun altoparlante è dotato di un resistore zavorra da 1M ohm collegato al condensatore di blocco; questo deve essere preso in considerazione quando si seleziona il valore della resistenza di controllo di fine linea.

Il resistore di controllo di fine linea può essere collegato ai morsetti sull'unità di fine linea. Per le unità a bassa impedenza occorre prestare attenzione alla polarità della tensione di monitoraggio.

Nelle unità di linea da 100V e 70V, il resistore di fine linea deve avere un valore di resistenza minimo di 47k ohm e un wattaggio minimo di 2,5 W.

Nelle unità a bassa impedenza, l'eventuale resistore di fine linea deve avere un valore di resistenza minimo di 2k ohm ed un wattaggio minimo di 0,5 W oppure un valore di resistenza minimo di 500 ohm ed un wattaggio minimo di 2 W. Per le unità a bassa impedenza occorre prestare attenzione alla polarità della tensione di monitoraggio. Se un'unità è dotata di un resistore di fine linea, i collegamenti sulle schede di circuito stampato di tutti gli altoparlanti della linea devono essere tagliati, per mettere in circuito i condensatori di blocco CC al fine del controllo CC della linea (vedere la figura 5).

2) Merking

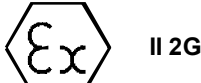
Alle enheter har en etikett med følgende viktige informasjon:

Enhetyper: BExL25D eller BExL15D

Impedans: 8 ohm eller 16 ohm
100V eller 70V Lijne

Kode: Ex d IIC T4 for Ta -50°C to +55°C
Ex d IIB T4 for Ta -50°C to +70°C

Sertifikat nr. KEMA 99ATEX6312
IECEX KEM 10.0003

Epsilon x: Utstyrsgruppe og – kategori: 

CE-merking: Varslet organ nr. 

Advarsler: MÅ IKKE ÅPNES I EKSPLOSIV GASSATMOSFÆRE
DEKKEBOLTER KLASSE A4-80
BRUK VARMEBESTANDIGE KABLER OG KABELMUFFER (godkjent for 110 °C) VED OMGIVELSESTEMPERATURER OVER 40 °C

4) Installasjonskrav

Høyttalerne må installeres i samsvar med følgende eller tilsvarende standarder.

EN 60079-14:2008 Elektriske installasjoner i farlige områder (unntatt gruver)

EN 60079-10:2003 Klassifisering av farlige områder IEC60079-10:2008 (Ed1)

Installering må kun utføres av kompetente personer, og alle gjeldende lokale bransjestandarder må overholdes.

5) Soner, gassgruppe, kategori og temperatur klassifisering

Enheterne kan installeres på steder med følgende forhold:

Områdeklassifisering:

Sone 1	Ekspllosiv gass/luft-blanding som sannsynligvis forekommer ved normal drift.
Sone 2	Ekspllosiv gass/luft-blanding som ikke vanligvis vil forekomme, og om den gjør det, kun vil forekomme i kort tid.

Gassgrupperinger:

Gruppe IIA	Propan
Gruppe IIB	Etylen
Gruppe IIC < +55°C	Hydrogen og acetylen

Utstyrskategori: 2G

Temperaturklassifisering:

T1	400 °C
T2	300 °C
T3	200 °C
T4	135 °C

Omgivelsestemperaturområde:

-50 °C til +55 °C Gassgrupperinger IIA, IIB og IIC
-50 °C til +70 °C Gassgrupperinger IIA og IIB

6) Plassering og montering av høyttalerne

Se tegningen. A

7) Sikkerhetsvarsel (elektrostatisk fare)

Lydhorndelen er laget av ABS-plast. For å unngå mulig ELEKTROSTATISK LADNING må enheten derfor kun rengjøres med fuktig klut.

8) Tilgang til flammesikkert hus

Se tegningen. B

Merk: De fire **M6-skruene er av rustfritt stål klasse A4-80, og kun skruer i denne kategorien kan brukes til disse lydalarmene.** Derfor er det viktig at disse skruene med tilhørende fjærskiver oppbevares på et sikkert sted under installeringen.

9) Effektforsterkervalg

Det er viktig at høyttalerne er koplet til effektforsterkere som har utganger som er kompatible med typen høyttalere som benyttes. Høyttalere med 100V eller 70V linjematchende transformator må kobles til effektforsterker med 100V eller 70V linjeutgang. Høyttalere med lav impedans 8 ohm eller 16 ohm må kobles til forsterkere med egnet lavimpedanseffekt. Ved valg av kabelstørrelse må en ta hensyn til strømmen som hver enhet bruker, antall høyttalere på linjen og lengden på kabelsene.

Tabellen nedenfor viser området for høyttalerne:

Enhetyper	Inn	Watt	Maks I/P volt
BExL25D	100 V linje	25 W	100 V
BExL25D	70 V linje	25 W	70 V
BExL25D	8 ohm	25 W	14,14 V
BExL25D	16 ohm	25 W	20 V

BExL15D	100 V linje	15 W	100 V
BExL15D	70 V linje	15 W	70 V
BExL15D	8 ohm	15 W	10,95 V
BExL15D	16 ohm	15 W	15,49 V

Tabellen ovenfor viser også maksimal AC-signalspenning som høyttalerne kan brukes ved.

Strømnivåene som benyttes av hver enkelt høyttaler, er avhengig av hvilket effektuttak som er valgt (se del 13 i denne instruksjonshåndboken). BExL25D 100V og 70V linje-enheter har effektivåter på 25 W, 12,5 W, 6 W og 2 W, BExL15D 100V og 70V linje-enheter har effektivåter på 15 W, 7,5 W, 3 W og 1 W.

10) Valg av kabler

Kablene må kunne håndtere strømmen som trekkes fra alle enhetene på linjen.

SIKKERHETSVARSEL: Hvis høyttalerne BExL25D benyttes ved høye omgivelsestemperaturer, dvs. over +40 °C kan kabelinngangstemperaturen overstige +70 °C, og derfor må egnede varmebestandige kabler benyttes, med godkjent driftstemperatur på minst 110 °C.

11) Jording

Høyttalerne må koples til jordforbindelse av god kvalitet. Enhetene leveres med interne og eksterne jordingsterminaler, som begge sitter på terminalkammerdelen av enheten (se figur 2 og 3).

Ved bruk av eksterne jordterminaler må en benytte en kabelkrympesko. Kabelskoen skal settes mellom de to flate M5-fjærskivene av rustfritt stål. M5-fjærskiven må festes mellom den ytre flate skiven og M5-mutteren av rustfritt stål for å sikre at kabelskoen ikke kan løsnes eller vrís.

12) Kabelmuffer

Lydalarmene har doble kabelmuffeinnganger med M20 x 1,5 inngangsgjenger. Kun kabelmuffer godkjent for Ex 'd'-bruk kan brukes, og de må være egnet for typen kabel som brukes, samt overholde kravene i standarden for Ex 'd' flammesikker installering, EN60079-14:2003 / IEC60079-14:2007.

SIKKERHETSVARSEL: Hvis høyttalerne BExL25D med høy effekt brukes ved høye omgivelsestemperaturer, dvs. over +40 °C, kan kabelinngangstemperaturen overstige +70 °C, og derfor må egnede varmebestandige kabelmuffer benyttes, med godkjent driftstemperatur på minst 110 °C.

Hvis høy IP-grad (inntrengningsbeskyttelse) er nødvendig, må egnet tetningsskive monteres under kabelmuffen.

Når kun én kabelinngang benyttes, må den andre lukkes med en Ex 'd' flammesikker lukkeplugg, som må være godkjent for de aktuelle installasjonskravene.

13) Kabelforbindelser

Se tegningen. C og D / kablings skjemaet. E

14) Slutt på linje-overvåking, DC

På høyttalerne BExL25D og BExL15D kan DC-linjeovervåking benyttes om nødvendig. Både 100V og 70V linje-enheter og enheter med lav impedans har en blokkerende kondensator. Husk at hver høyttaler har en 1m ohm tverrmotstand som er koblet på tvers av den blokkerende kondensatoren, og en må ta hensyn til dette når en velger verdi for slutt på linje-overvåkingsmotstand.

Slutt på linje-overvåkingsresistoren kan kobles på tvers av terminalene på enden av linjeeheten. På enhetene med lav impedans må en være forsiktig med polariteten til overvåkingsspenningen.

På 100V og 70V linje-enheter må slutt på linje-resistoren ha minste motstandsverdi 4k7 ohm og minste wattverdi 2,5 watt.

På enheter med lav impedans må benyttet slutt på linje-resistor ha minste motstandsverdi 2k ohm og minste wattverdi 0,5 watt, eller minste motstandsverdi 500 ohm og minste wattverdi 2 watt. På enheter med lav impedans må en være forsiktig med polariteten til overvåkingsspenningen. Hvis en slutt på linje-resistor monteres på en enhet, må forbindelsene på kretskortene til alle høyttalerne i linjen kuttes, slik at de DC-blokkerende kondensatorene er i krets, for å kunne DC-overvåke linjen (se figur 5).

2) Marcação

Todas as unidades têm uma placa de especificações com a seguinte informação importante:

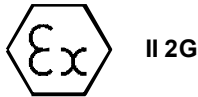
Nº de Tipo de Unidade BExL25D ou BExL15D

Impedância: 8 ohm ou 16 ohm
100V ou 70V Linha

Código: Ex d IIC T4 for Ta -50°C to +55°C
Ex d IIB T4 for Ta -50°C to +70°C

Certificado Nº KEMA 99ATEX6312
IECEX KEM 10.0003

Épsilon x:
Grupo de Gases e
Categoria:



Marcação CE:
Nº Entidade Notificada



“Advertências”

NÃO ABRIR NA PRESENÇA DE
ATMOSFERA GASOSA EXPLOSIVA

PARAFUSOS COBERTURA CLASSE A4-80

USE CABOS E TUBOS RESISTENTES AO CALOR
(Capacidade 110°C) A TEMPERATURAS AMB. ACIMA 40°C

4) Requisitos de instalação

As altifalantes devem ser instaladas em conformidade com as seguintes normas ou outras equivalentes.

EN60079-14:2008 Instalações eléctricas em áreas
IEC60079-14:2007 (Ed4) perigosas (excepto minas)

EN60079-10:2003 Classificação de áreas perigosas
IEC60079-10:2008 (Ed1)

A instalação deve ser efectuada apenas por pessoal competente e aplicam-se quaisquer códigos de prática vigentes no local.

5) Classificação de zonas, grupo de gases, categoria e temperatura

As unidades podem ser instaladas em locais com as seguintes condições:

Classificação da área:

Zona 1	Probabilidade de ocorrência de mistura gasosa explosiva em funcionamento normal.
Zona 2	Improbabilidade de ocorrência de mistura gasosa explosiva; mesmo que tal ocorra, só será por período curto.

Grupos de gases:

Grupo IIA	Propano
Grupo IIB	Etileno
Grupo IIC < +55°C	Hidrogénio e acetileno

Categoria do equipamento: 2G

Classificação da temperatura:

T1	400°C
T2	300°C
T3	200°C
T4	135°C

Variação da temperatura ambiente:

-50°C a +55°C Grupos de gases IIA, IIB e IIC
-50°C a +70°C Grupos de gases IIA e IIB

6) Localização e montagem da altifalantes

Consulte o desenho A

7) Aviso de segurança (Perigo electrostático)

A secção da buzina acústica é feita de Plástico ABS; por isso, para evitar uma possível CARGA ELECTROSTÁTICA, a unidade deve ser limpa apenas com um pano húmido.

8) Acesso à caixa à prova de fogo

Consulte o desenho B

Note que os quatro parafusos M6 são de aço inoxidável da Classe A4-80; apenas podem ser utilizados parafusos desta categoria nestas sirenes. Por isso, é importante que estes parafusos e respectivas anilhas de mola sejam guardados num lugar seguro durante a instalação.

9) Selecção do amplificador de potência

É importante que os altifalantes estejam ligados a amplificadores de potência de saídas compatíveis com o tipo de altifalante a utilizar. Os altifalantes com um transformador de adaptação de linha de 100V ou 70V devem estar ligados a um amplificador com saída de linha de 100V ou 70V. Os altifalantes de baixa impedância de 8 ou 16 ohm devem estar ligados a amplificadores com saída de baixa impedância adequada. A selecção do cabo deve ter em consideração a corrente que cada unidade consome, o número de altifalantes na linha e a distância que o cabo percorre.

A tabela que se segue mostra o alcance dos altifalantes:

Tipo de Unidade	Entrada	Potência	Tensão máx. I/P
BExL25D	Linha 100V	25W	100V
BExL25D	Linha 70V	25W	70V
BExL25D	8 ohm	25W	14.14V
BExL25D	16 ohm	25W	20V
BExL15D	Linha 100V	15W	100V
BExL15D	Linha 70V	15W	70V
BExL15D	8 ohm	15W	10.95V
BExL15D	16 ohm	15W	15.49V

A tabela acima mostra também o sinal de tensão CA máximo a que os altifalantes podem funcionar.

Os níveis de corrente de cada altifalante dependem da derivação de saída que foi escolhida (consulte a secção 13 deste manual de instruções). As unidades de Linha de 100V e 70V BExL25D têm níveis de saída de 25W, 12,5W, 6W e 2W, As unidades de Linha de 100V e 70V BExL15D têm níveis de saída de 15W, 7,5W, 3W e 1W.

10) Selecção de cabos

Os cabos têm de suportar a corrente consumida por todas as unidades na linha.

AVISO DE SEGURANÇA: Se as altifalantes BExL25D de elevada saída forem usadas a temperaturas ambiente elevadas, isto é acima de +40° C, então a temperatura de entrada do cabo pode exceder os +70° C e, por isso, devem usar-se cabos resistentes ao calor, com uma capacidade nominal de temperatura de serviço nunca inferior a 110° C.

11) Ligação à terra

Altifalantes unidades devem ter uma boa ligação à terra. As unidades estão equipadas com terminais internos e externos de ligação à terra, ambos localizados na secção da câmara de terminais da unidade (veja as figuras 2 e 3).

Quando usar o terminal externo de ligação à terra deve usar um terminal do condutor cravado. O terminal do condutor deve estar localizado entre as duas anilhas chatas de aço inoxidável M5. A anilha de mola em aço inoxidável M5 deve estar presa entre a anilha chata externa e a porca em aço inoxidável M5 para garantir a fixação do terminal do condutor e que o mesmo não se solta nem torce.

12) Tubos

As sirenes possuem tubos para entrada de dois cabos com fios de entrada M20 x1.5. Pode-se usar somente tubos aprovados para aplicações à prova de explosão, que devem ser adequados ao tipo de cabo a ser usado e satisfazer também os requisitos da norma EN60079-14:2008 / IEC60079-14:2007 relativa à instalação à prova de fogo e de explosão.

AVISO DE SEGURANÇA: Se as altifalantes BExL25D de elevada saída forem utilizadas a temperaturas ambiente elevadas, isto é acima de +40° C, então a temperatura de entrada do cabo pode exceder os +70° C e, por isso, devem usar-se tubos resistentes ao calor, com uma capacidade de temperatura de serviço nunca inferior a 110° C.

Se for exigida uma capacidade IP (Ingress Protection – Protecção de Entrada) elevada, então deve colocar-se sob o tubo uma anilha de vedação adequada.

Quando se usar somente uma entrada de cabo, a outra deve estar fechada com tampão de disco à prova de fogo e explosão, que deve ser aprovado para os requisitos de instalação.

13) Ligações do cabo

Terminals	BExL25D (25W)	BExL15D (15W)
A - B	25W	15W
A - C	12.5W	7.5W
A - D	6W	3W
A - E	2W	1W

Consulte o desenho C e D / diagrama de ligações E

14) Monitorização CC de fim de linha

Em altifalantes BExL25D e BExL15D, pode-se usar monitorização de linha cc se necessário. Tanto as unidades de Linha de 100V e 70V como as unidades de Baixa Impedância possuem um condensador de bloqueio. Note-se que cada altifalante tem uma resistência de alimentação de 1M ohm ligada através do condensador de bloqueio, o que deve ser tomado em consideração aquando da selecção do valor da resistência de monitorização do fim de linha.

A resistência de monitorização do fim de linha pode ser ligada aos terminais na unidade do fim de linha. Nas unidades de baixa impedância deve-se tomar cuidado com a polaridade da tensão de monitorização.

Nas unidades de linha de 100V e 70V a resistência de fim de linha utilizada deve ter um valor mínimo de 4k7 ohms e uma potência mínima de 2,5 watts

Nas unidades de baixa impedância, a resistência de fim de linha usada deve ter um valor mínimo de 2k ohms e uma potência mínima de 0,5 watts ou um valor de resistência mínimo de 500 ohms e uma potência mínima de 2 watts. Nas unidades de baixa impedância deve-se tomar cuidado com a polaridade da tensão de monitorização. Se uma unidade estiver equipada com resistência de fim de linha, as ligações nos circuitos impressos de todos os altifalantes devem estar cortadas para os condensadores de bloqueio cc estarem em circuito para a monitorização cc da linha (consulte a figura 5).

2) Marcas

Todas las unidades llevan una etiqueta de clasificación con la siguiente información importante: -

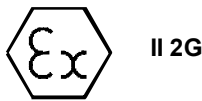
Nº de tipo de unidad. BExL25D o BExL15D

Impedancia: 8 ohm o 16 ohm
100V o 70V Línea

Código Ex d IIC T4 for Ta -50°C to +55°C
Ex d IIB T4 for Ta -50°C to +70°C

Nº de certificado KEMA 99ATEX6312
IECEx KEM 10.0003

Epsilon x:
Categoría y grupo
de equipamiento:



Marca CE:
Nº de cuerpo de
notificación



“Avisos” NO ABRIR EN PRESENCIA DE GAS
ATMOSFÉRICO EXPLOSIVO

PERNOS DE LA CUBIERTA CLASE A4-80

UTILICE CABLES Y CASQUILLOS DE CABLE RESISTENTES AL
CALOR (Clasificados a 110°C) A TEMPERATURAS AMBIENTE
SUPERIORES A 40°C

4) Requisitos de instalación

Las altavoces deben instalarse conforme a las siguientes normas o sus equivalentes.

EN60079-14:2008 Instalaciones eléctricas en áreas
IEC60079-14:2007 (Ed4) peligrosas (exceptuando minas)

EN60079-10:2003 Clasificación de áreas peligrosas
IEC60079-10:2008 (Ed1)

La instalación únicamente debe llevarse a cabo por parte de personal competente y debe observarse cualquier código de práctica local.

5) Clasificación de zonas, grupo de gas, categoría y temperatura

Las unidades pueden instalarse en ubicaciones que cumplan las siguientes condiciones: -

Clasificación del área:

Zona 1	Mezcla explosiva de aire y gas que es posible ocurra durante el funcionamiento normal.
Zona 2	Mezcla explosiva improbable de aire y gas que, de producirse, lo hará sólo por breve tiempo.

Grupos de gas:

Grupo IIA	Propano
Grupo IIB	Etileno
Grupo IIC < +55°C	Hidrógeno y acetileno

Categoría de equipo: 2G

Clasificación de temperatura:

T1	400° C
T2	300° C
T3	200° C
T4	135° C

Rango de temperatura ambiente:

-50°C a +55°C Grupos de gas IIA, IIB y IIC
-50°C a +70°C Grupos de gas IIA y IIB

6) Ubicación y montaje de la altavoces

Véase el diagrama A

7) Aviso sobre seguridad (peligro electrostático)

La sección de bocina acústica está fabricada de plástico ABS, por lo tanto, a fin de evitar una CARGA ELECTROSTÁTICA, la unidad únicamente debe limpiarse con un paño húmedo.

8) Acceso a la caja antideflagrante

Véase el diagrama B

Obsérvese que los cuatro **tornillos M6 son de acero inoxidable de clase A4-80 y que con estas sondas acústicas únicamente deben utilizarse tornillos de esta categoría.** Por ello, es importante que estos tornillos, y las arandelas elásticas se guarden en un lugar seguro durante la instalación.

9) Selección de amplificador de potencia

Es importante conectar los altavoces a amplificadores de potencia que tengan salidas compatibles con el tipo de altavoz que se está utilizando. Los altavoces que llevan un transformador de adaptación de línea de 100V o 70V deben conectarse a un amplificador de potencia con una salida de línea de 100V o 70V. Los altavoces de baja impedancia de 8 ó 16 ohmios deben conectarse a amplificadores con una salida de baja impedancia adecuada. Cuando se seleccione el tamaño de cable, debe considerarse la corriente que extrae cada línea, el número de altavoces en la línea y la longitud de las secciones de cable.

La tabla que aparece a continuación muestra la gama de altavoces:-

Tipo de unidad	Entrada	Vataje	Voltios IP máx.
BExL25D	Línea 100 V	25W	100 V
BExL25D	Línea 70 V	25W	70 V
BExL25D	8 ohmios	25W	14,14 V
BExL25D	16 ohmios	25W	20 V
BExL15D	Línea 100 V	15W	100 V
BExL15D	Línea 70 V	15W	70 V
BExL15D	8 ohmios	15W	10,95 V
BExL15D	16 ohmios	15W	15,49 V

Esta tabla también muestra los voltajes máximos de la señal de CA a la que pueden funcionar los altavoces.

Los niveles de corriente admitidos por cada altavoz dependerán de la derivación de salida que se ha seleccionado (véase la sección 13 de este manual de instrucciones). Las unidades de Línea BExL25D de 100V y 70V tienen niveles de salida de 25W, 12,5W, 6W y 2W. Las unidades BExL15D de Línea de 100V y 70V tienen niveles de salida de 15W, 7.5W, 3W y 1W.

10) Selección de cables

Los cables deben tener la capacidad necesaria para manipular la corriente extraída de todas las unidades en la línea.

AVISO SOBRE SEGURIDAD: Si las altavoces de salida alta BExL25D se utilizan a temperaturas ambiente altas, es decir, superiores a 40°C, la temperatura de entrada del cable puede superar +70°C; por lo tanto, deben usarse cables resistentes al calor adecuados, con una temperatura de servicio nominal de al menos 110°C.

11) Puesta a tierra

Altavoces deben tener una buena conexión a tierra. Las unidades tienen bornes de tierra internos y externos, ubicadas en la sección de la cámara de bornes de la unidad (véanse las ilustraciones 2 y 3).

Cuando se utilicen los bornes de tierra externos, debe utilizarse un talón de cable fruncido. El talón de cable se situará entre las dos arandelas planas M5 de acero inoxidable. La arandela elástica M5 de acero inoxidable debe colocarse entre la arandela plana exterior y la tuerca M5 de acero inoxidable a fin de asegurar que el talón del cable no se afloje ni retuerza.

12) Casquillos de los cables

Las sondas acústicas tienen casquillos de cable de entrada doble con roscas de entrada de M20 x 1,5. Únicamente deben utilizarse casquillos de cable aprobados para aplicaciones Ex 'd', los cuales deben ser adecuados para el tipo de cable que se está utilizando, además de satisfacer los requisitos de la norma EN 60079-14:2008 / IEC60079-14:2007 para instalaciones antideflagrantes Ex 'd'.

AVISO SOBRE SEGURIDAD: Si las altavoces BExL25D de salida alta se utilizan a temperaturas ambiente altas, es decir, superiores a 40°C, la temperatura de entrada del cable puede superar +70°C; por lo tanto, deben usarse casquillos

de cable resistentes al calor adecuados, con una temperatura de servicio nominal de al menos 110°C.

Si se precisa una clasificación IP (Protección contra Ingreso) alta, debe instalarse una arandela estanca adecuada debajo del casquillo del cable.

Cuando solamente se utilice una entrada de cable, la otra deberá cerrarse con un tapón de obturación antideflagrante Ex 'd' debidamente aprobado para los requisitos de la instalación.

13) Conexiones de los cables

Terminals	BExL25D (25W)	BExL15D (15W)
A - B	25W	15W
A - C	12.5W	7.5W
A - D	6W	3W
A - E	2W	1W

Véase el diagrama C y D / diagrama de cableado E

14) Vigilancia de fin de línea de CC

Con los altavoces BExL25D y BExL15D puede utilizarse vigilancia de fin de línea de CC, si fuese necesario. Tanto las unidades de Línea de 100V y 70V como las unidades de baja impedancia llevan acoplado un condensador de bloqueo. Debe advertirse que cada altavoz tiene conectada una resistencia de purga de 1M ohmio a lo largo del condensador de bloqueo, lo que deberá tenerse en cuenta al seleccionar el valor de la resistencia de vigilancia de fin de línea.

La resistencia de vigilancia de fin de línea puede conectarse a sobre los bornes en el extremo de la unidad de línea. Con las unidades de baja impedancia debe tenerse cuidado con la polaridad del voltaje de vigilancia.

Con las unidades de línea de 100V y 70V la resistencia de fin de línea utilizada debe tener un valor de resistencia mínimo de 4k7 ohmios y un vataje mínimo de 2,5 vatios

Con las unidades de baja impedancia la resistencia de fin de línea utilizada debe tener un valor mínimo de resistencia de 2k ohmios y un vataje mínimo de 0,5 vatios o un valor mínimo de resistencia de 500 ohmios y un vataje mínimo de 2 vatios. Con las unidades de baja impedancia debe tenerse cuidado con la polaridad del voltaje de vigilancia. Si se acopla una resistencia de fin de línea a una unidad, los enlaces en las placas de los circuitos impresos de todos los altavoces de la línea deberán estar cortados a fin de que los condensadores de bloqueo de cc estén en circuito a fin de vigilar la línea de cc (véase la ilustración 5).

2) Märkning

Samtliga enheter är försedda med märkplåt med följande viktiga information:

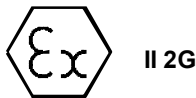
Typ: BExL25D eller BExL15D

Impedans: 8 ohm eller 16 ohm
100V eller 70V Line

Kod: Ex d IIC T4 for Ta -50°C to +55°C
Ex d IIB T4 for Ta -50°C to +70°C

Certifiering: KEMA 99ATEX6312
IECEX KEM 10.0003

Epsilon x:
Utrustningsgrupp
och kategori:



CE-märkning:
Ansvarigt organ:



”VARNING!” FÅR EJ ÖPPNAS I EXPLOSIV GASATMOSFÄR

KAPSLINGSBULTAR KLASS A4-80

ANVÄND VÄRMEBESTÄNDIGA KABLAR OCH
KABELGENOMFÖRINGAR (med märktemp 110°C) VID
OMGIVNINGSTEMPERATURER ÖVER 40°C

4) Installationskrav

Högtalarna skall installeras enligt följande eller likvärdiga standarder.

EN60079-14:2008 Elektriska installationer inom
IEC60079-14:2007 (Ed4) riskområden (utom gruvor)

EN60079-10:2003 Klassning av explosionsfarliga
IEC60079-10:2008 (Ed1) områden

Installation skall endast göras av behörig personal under tillämpande av lokala bestämmelser.

5) Zoner, explosionsgrupper, kategori och T-klasser

Enheterna får installeras på platser där följande förhållanden råder:-

Områdesklassificering:

Zon 1	Explosiv gasblandning förväntas förekomma vid normal drift.
Zon 2	Explosiv gasblandning förväntas förekomma sällan och då endast kortvarigt.

Explosionsgrupper:

Grupp IIA	Propan
Grupp IIB	Etylen
Grupp IIC < +55°C	Väte och acetylen

Kategori på utrustning: 2G

T-klasser:

T1	400° C
T2	300° C
T3	200° C
T4	135° C

Omgivningstemperatur:

-50°C till +55°C Explosionsgrupper IIA, IIB och IIC
-50°C till +70°C Explosionsgrupper IIA och IIB

6) Monteringsinstruktion och val av plats för högtalare

Se ritning A

7) Säkerhetsvarning (statisk elektricitet)

Den akustiska sirendelen är tillverkad av ABS-plast; därför skall enheten endast rengöras med en fuktig trasa för att undvika ELEKTROSTATISK LADDNING.

8) Åtkomst till den explosionstäta kapslingen

Se ritning B

Observera att de fyra **M6-skruvarna** är av klass **A4-80** och av rostfritt stål. Endast dessa skruvar skall användas till högtalarna. Därför är det viktigt att dessa skruvar och dess fjäderbrickor läggs på ett säkert ställe under installationen.

9) Val av slutsteg

Det är viktigt att högtalarna är anslutna till slutsteg som har utgångseffekt kompatibel med den typ av högtalare som används. Högtalare som har en 100V eller 70V transformator måste anslutas till ett slutsteg med en 100V eller 70V utgång. Högtalare med låg impedans, 8 ohm eller 16 ohm, måste anslutas till slutsteg med passande låg utimpedans. Vid val av kabel måste hänsyn tas till den ström som varje enhet drar, antalet anslutna högtalare och kabelvägens längd.

Följande tabell visar högtalarnas värden:-

Typ	Ingångsvärde	Effektförbrukning	Max. Spänning
BExL25D	100V	25W	100V
BExL25D	70V	25W	70V
BExL25D	8 ohm	25W	14,14V
BExL25D	16 ohm	25W	20V

BExL15D	100V	15W	100V
BExL15D	70V	15W	70V
BExL15D	8 ohm	15W	10,95V
BExL15D	16 ohm	15W	15,49V

Tabellen ovan visar också den maximala AC-signalspänningen som högtalarna kan hållas i drift med.

Den ström som varje högtalare drar beror på vilken utgång som har valts (se avsnitt 13 i denna bruksanvisning). BExL25D 100V och 70V enheterna har utnivåer på 25W, 12,5W, 6W och 2W, BExL15D 100V och 70V enheterna har utnivåer på 15W, 7,5W, 3W och 1W.

10) Val av kabel

Kablarna måste vara dimensionerade för att klara strömbelastningen från alla anslutna enheter.

SÄKERHETSVARNING: Om BExL25D-högtalarna med hög uteffekt används vid höga omgivningstemperaturer, dvs över +40°C, kan ledningarnas temperatur överskrida +70°C vid införingsstället. Därför skall lämpliga värmeresistenta kablar, med en märktemperatur på minst 110°C, användas.

11) Jordning

Högtalarna måste jordas på tillfredsställande sätt. Enheterna har interna och externa jordanslutningar, vilka båda är placerade i enhetens kopplingshus (se bild 2 och 3).

När den externa jordanslutningen används skall en kontaktpressad kabelsko monteras. Kabelskon skall placeras mellan de två flata rostfria stålbrickorna (M5). Fjäderbrickorna av rostfritt stål (M5) skall monteras mellan den yttre flata brickan och den rostfria stålmuttern (M5) för att säkerställa att kabelskon inte lossnar eller vrids.

12) Kabelgenomföringar

Högtalarna har dubbla kabelgångar med M20 x 1,5 gänga. Endast kabelgenomföringar godkända för Ex 'd'-bruk får användas. Dessa måste passa den typ av kabel som används och dessutom uppfylla kraven för explosionstät kapsling (Ex 'd') enligt EN60079-14:2003 / IEC60079-14:2007.

SÄKERHETSVARNING: Om BExL25D-högtalarna med hög uteffekt används vid höga omgivningstemperaturer, dvs över +40°C, kan ledningarnas temperatur överskrida +70°C vid införingsstället. Därför skall lämpliga värmeresistenta kablar, med en märktemperatur på minst 110°C, användas.

Om det finns krav på en hög IP-kapslingsklass skall en passande tätningsbricka monteras under kabelgenomföringen.

Om endast en kabelgång används skall den andra tillslutas med en Ex 'd' explosionssäker avslutningsnippel som är certifierad enligt installationskraven

13) Kabelanslutningar

Terminals	BExL25D (25W)	BExL15D (15W)
A - B	25W	15W
A - C	12.5W	7.5W
A - D	6W	3W
A - E	2W	1W

Se ritning C och D / kopplingschema. E

14) Ledningsbevakning (DC-enheter)

Ledningsbevakning kan vid behov användas för BExL25D och BExL15D. Både 100V och 70V och lågimpedansenheterna har en spärrkondensator monterad. Observera att varje högtalare har ett 1M ohms avledningsmotstånd anslutet över spärrkondensatorn och detta skall tas med i räkningen vid val av bevakningsmotstånd.

Bevakningsmotståndet skall anslutas över polerna på sista enheten. Vid enheterna med låg impedans måste bevakningsspänningens polaritet respekteras.

På 100V-enheterna skall bevakningsmotståndets resistans vara minst 4,7 kohm och effekten minst 2,5 W.

På enheterna med låg impedans skall bevakningsmotståndets resistans vara minst 2 kohm och effekten minst 0,5 watt eller 500 ohm och 2 watt. Vid enheterna med låg impedans måste bevakningsspänningens polaritets respekteras. Om ett bevakningsmotstånd skall anslutas måste alla länkar till kretskorten brytas, på samtliga anslutna högtalare, så att spärrkondensatorerna ingår i kretsen och bevakar ledningen (se bild 5).

EC DECLARATION OF CONFORMITY



Manufacturer: European Safety Systems Ltd.
Impress House, Mansell Road, Acton
London, W3 7QH, UK

Equipment Type: BExS110D, BExS120D, BExS110E, BExS120E,
BExDS120D, BExDS110D, BExDS120E, BExDS110E,
BExL25D, BExL15D, BExL25E, BExL15E,
BExDL25D, BExDL15D, BExDL25E, BExDL15E,
BExA110D, BExA120D, BExA110E, BExA120E,
BExDA110D, BExDA120D, BExDA110E, BExDA120E,
BExTS110D, BExDTS110D, BExH120D, BExDH120D, BExL25GD, BExDL25GD

Directive 94/9/EC: Electrical and Mechanical equipment for use in explosive atmospheres (ATEX)

Notified Body for EC type Examination: KEMA Quality B.V.
Notified Body No.: 0344
Utrechtseweg 310, 6812 AR Arnhem, The Netherlands

EC-type Examination Certificate: KEMA 99ATEX6312

Notified Body for Quality Assurance Notification: Sira Certification Service
Notified Body No.: 0518
Rake Lane, Eccleston, Chester CH4 9JN, UK

Quality Assurance Notification: SIRA 05 ATEX M342

Provisions fulfilled by the equipment: II 2 G Ex d IIB or IIC T4 or
II 2 G Ex de IIB or IIC T4
II 2 D Ex tD A21 IP66 or IP67 T100 °C or T115 °C

Standards applied: EN 60079-0:2006
EN 60079-1:2007
EN 60079-7:2003
EN 61241-0:2006
EN 61241-1:2004

Directive 89/106/EEC: Construction Products Directive (CPD) – BExS110D24DC / BExS120D24DC (tones 2, 3, 9, 15, 16, 17) only

Notified Body for EC type Examination: VdS Schadensverhütung GmbH
Notified Body No.: 0786
Amsterdamer Str 172-174, 50735 Köln, Germany

EC-type Examination Certificate: 0708-CPD-20225

Standards applied: EN 54-3:2001 + A1:2002

Directive 2009/26/EC: Marine Equipment Directive (MED) – BExS110D24DC-M only

Notified Body for EC type Examination: Germanischer Lloyd SE
Notified Body No.: 0098
Brooktorkai 18, 20457 Hamburg, Germany

EC-type Examination Certificate: 19 702 - 11 HH

Standards applied: EN 54-3:2001 + A1:2002 + A2:2006
IEC 60092-504: 2001
IEC 60533: 1999

Directive 2004/108/EC: Electromagnetic Compatibility Directive (EMC)

Standards applied: EN 61000-6-1:2007
EN 61000-6-2:2005
EN 61000-6-3:2007
EN 61000-6-4:2007

The standards EN 60079-0: 2006, EN 60079-7:2003, EN 61241-0:2006 and EN 61241-1:2004 are no longer harmonized. The requirements of these standards have been checked against the harmonized standards EN 60079-0:2009, EN 60079-7:2007 and EN 60079-31:2009 and there were no major technical changes affecting the latest technical knowledge for the products listed above.

On behalf of European Safety Systems Ltd., I declare that, on the date the equipment accompanied by this declaration is placed on the market, the equipment conforms with all technical and regulatory requirements of the above listed directives.

A handwritten signature in black ink, appearing to read 'Martin Streetz'.

Martin Streetz
Quality Assurance Manager

Telephone: +44 (0)20 8743 8880
Facsimile: +44 (0)20 8740 4200
E-mail: sales@e2s.com
www.e2s.com

Date and Place of Issue: London, 04/07/2012
Document No: DC-001-Issue_C

European Safety Systems Ltd
Company Registration No. 2763350
Registered Office: Impress House
Mansell Road, London, UK, W3 7QH, UK