

A

# SPECTRA

Buzzer Horn  
IP Rating: IP65  
Temp: -25°C to +50°C  
Unit weight: 118g  
CE

Order code Voltage  
H100B030G 10-30V AC/DC  
• 12V dc 10mA  
• 24V dc 24mA  
• 12V ac 50/60Hz 30mA  
• 24V ac 50Hz 62mA

H100B230G 40-260V AC/DC  
• 48V dc 15mA  
• 48V ac 50/60Hz 25mA  
• 115V dc 6mA  
• 230V dc 3mA  
• 115V ac 50/60Hz 19mA  
• 230V ac 50/60Hz 10mA

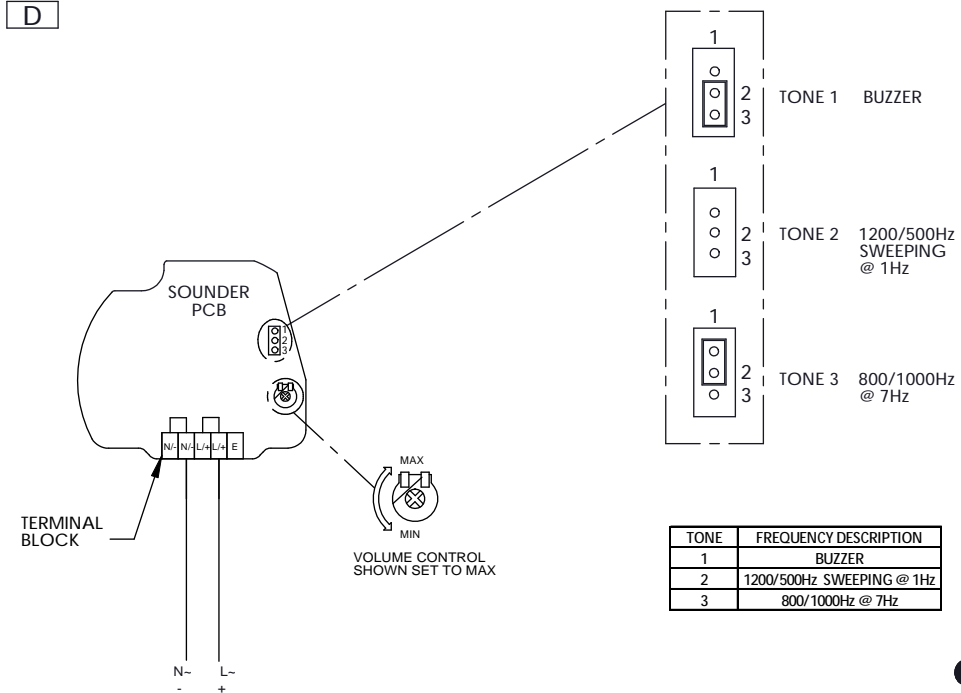
# H100 B

Dimensions : 79.5 x 94.2mm  
1.5mm<sup>2</sup> terminals  
Cable entry: 1 x 5-7mm push  
through grommet

Tel: +44 (0)2 8743 8880 Fax: +44 (0)20 8740 4200  
mail: [sales@e2s.com](mailto:sales@e2s.com) web: [www.e2s.com](http://www.e2s.com)



D



B

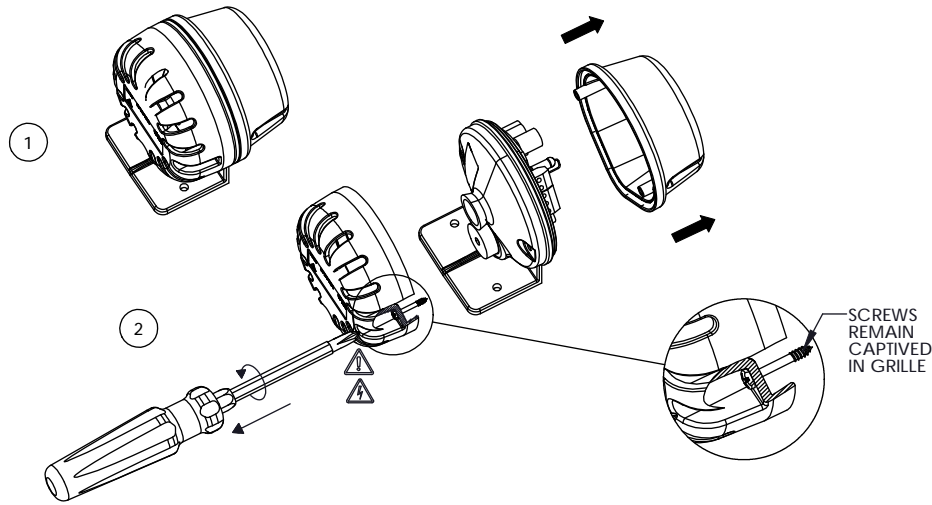
**ATTENTION:** Installation must be carried out by an electrician in compliance with the latest codes and regulations.

**ATTENTION:** Disconnect from power source before installation or service to prevent electric shock.

C



# A SPECTRA H 100 B

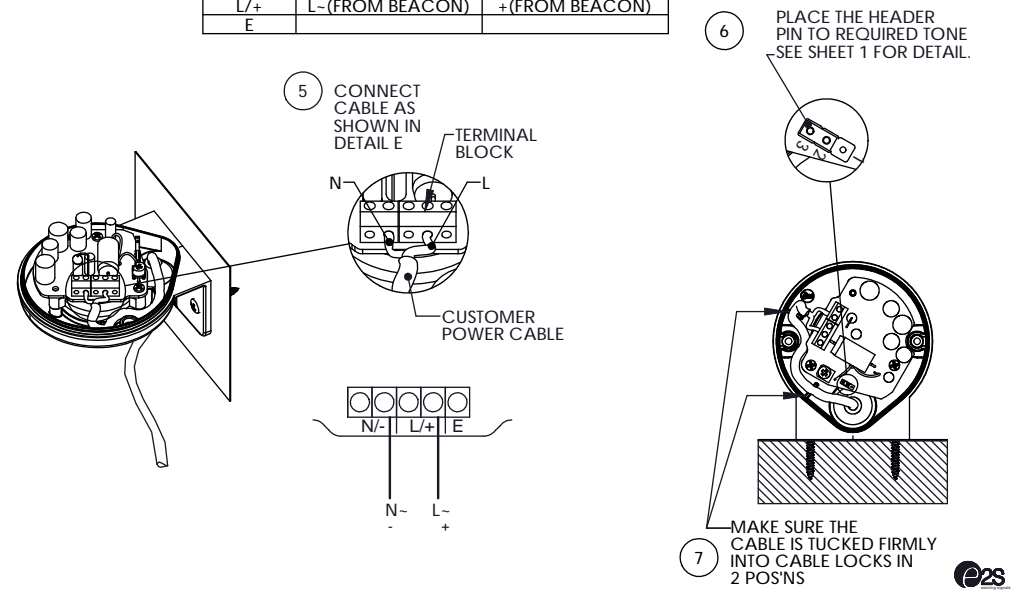


Tel: +44 (0)2 8743 8880 Fax: +44 (0)20 8740 4200  
mail: sales@e2s.com web: www.e2s.com

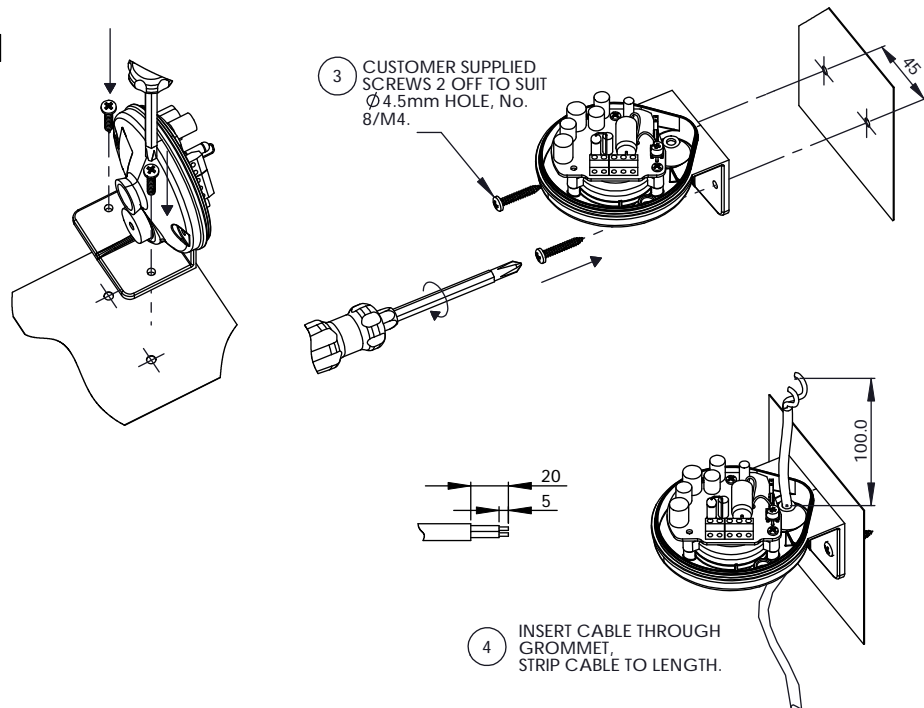


C

TERMINAL BLOCK	A/C INPUT	D/C INPUT
N/-	N-	-
N/-	N-(FROM BEACON)	-(FROM BEACON)
L/+	L-	+
L/+	L-(FROM BEACON)	+(FROM BEACON)
E		



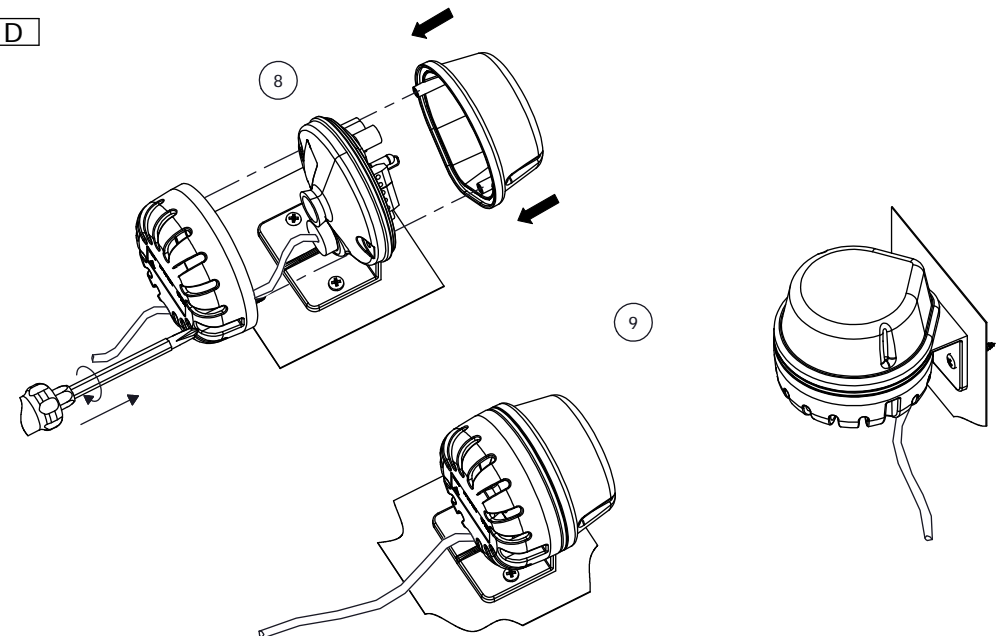
B



Dimensions in mm



D



D152.00.501-05\_SHT2\_ISSUE\_A

