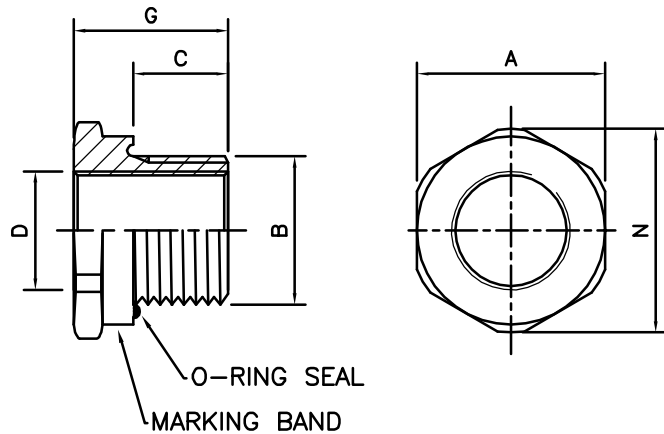


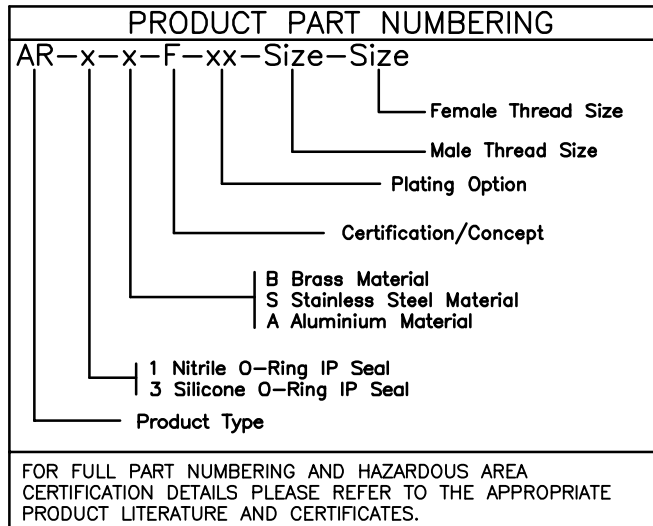
DRG. No.
PCG/COM/RED MM

DO NOT SCALE OFF DRAWING "IF IN DOUBT ASK".
REPORT ALL ERRORS AND ALTERATIONS.

THIRD ANGLE PROJECTION



REDUCER SIZE	A A/F	B THD	C DIM	D THD	G DIM	N DIA
M20-M16	27.0	M20x1.5	16.0	M16x1.5	26.0	29.7
M25-M16	31.8	M25x1.5	16.0	M16x1.5	26.0	35.0
M25-M20	31.8	M25x1.5	16.0	M20x1.5	26.0	35.0
M32-M16	37.6	M32x1.5	16.0	M16x1.5	26.0	41.4
M32-M20	37.6	M32x1.5	16.0	M20x1.5	26.0	41.4
M32-M25	37.6	M32x1.5	16.0	M25x1.5	26.0	41.4
M40-M16	47.2	M40x1.5	16.0	M16x1.5	26.0	51.9
M40-M20	47.2	M40x1.5	16.0	M20x1.5	26.0	51.9
M40-M25	47.2	M40x1.5	16.0	M25x1.5	26.0	51.9
M40-M32	47.2	M40x1.5	16.0	M32x1.5	26.0	51.9
M50-M16	57.2	M50x1.5	16.0	M16x1.5	27.0	62.9
M50-M20	57.2	M50x1.5	16.0	M20x1.5	27.0	62.9
M50-M25	57.2	M50x1.5	16.0	M25x1.5	27.0	62.9
M50-M32	57.2	M50x1.5	16.0	M32x1.5	27.0	62.9
M50-M40	57.2	M50x1.5	16.0	M40x1.5	27.0	62.9
M63-M16	69.9	M63x1.5	16.0	M16x1.5	27.0	76.8
M63-M20	69.9	M63x1.5	16.0	M20x1.5	27.0	76.8
M63-M25	69.9	M63x1.5	16.0	M25x1.5	27.0	76.8
M63-M32	69.9	M63x1.5	16.0	M32x1.5	27.0	76.8
M63-M40	69.9	M63x1.5	16.0	M40x1.5	27.0	76.8
M63-M50	69.9	M63x1.5	16.0	M50x1.5	27.0	76.8
M75-M16	90.2	M75x1.5	16.0	M16x1.5	27.0	99.2
M75-M20	90.2	M75x1.5	16.0	M20x1.5	27.0	99.2
M75-M25	90.2	M75x1.5	16.0	M25x1.5	27.0	99.2
M75-M32	90.2	M75x1.5	16.0	M32x1.5	27.0	99.2
M75-M40	90.2	M75x1.5	16.0	M40x1.5	27.0	99.2
M75-M50	90.2	M75x1.5	16.0	M50x1.5	27.0	99.2
M75-M63	90.2	M75x1.5	16.0	M63x1.5	27.0	99.2
M80-M16	90.2	M80x2.0	20.0	M16x1.5	31.0	99.2
M80-M20	90.2	M80x2.0	20.0	M20x1.5	31.0	99.2
M80-M25	90.2	M80x2.0	20.0	M25x1.5	31.0	99.2
M80-M32	90.2	M80x2.0	20.0	M32x1.5	31.0	99.2
M80-M40	90.2	M80x2.0	20.0	M40x1.5	31.0	99.2
M80-M50	90.2	M80x2.0	20.0	M50x1.5	31.0	99.2
M80-M63	90.2	M80x2.0	20.0	M63x1.5	31.0	99.2



REDUCER SIZE	A A/F	B THD	C DIM	D THD	G DIM	N DIA
M85-M16	106.4	M85x2.0	20.0	M16x1.5	31.0	117.0
M85-M20	106.4	M85x2.0	20.0	M20x1.5	31.0	117.0
M85-M25	106.4	M85x2.0	20.0	M25x1.5	31.0	117.0
M85-M32	106.4	M85x2.0	20.0	M32x1.5	31.0	117.0
M85-M40	106.4	M85x2.0	20.0	M40x1.5	31.0	117.0
M85-M50	106.4	M85x2.0	20.0	M50x1.5	31.0	117.0
M85-M63	106.4	M85x2.0	20.0	M63x1.5	31.0	117.0
M85-M75	106.4	M85x2.0	20.0	M75x1.5	31.0	117.0
M90-M16	106.4	M90x2.0	20.0	M16x1.5	31.0	117.0
M90-M20	106.4	M90x2.0	20.0	M20x1.5	31.0	117.0
M90-M25	106.4	M90x2.0	20.0	M25x1.5	31.0	117.0
M90-M32	106.4	M90x2.0	20.0	M32x1.5	31.0	117.0
M90-M40	106.4	M90x2.0	20.0	M40x1.5	31.0	117.0
M90-M50	106.4	M90x2.0	20.0	M50x1.5	31.0	117.0
M90-M63	106.4	M90x2.0	20.0	M63x1.5	31.0	117.0
M90-M75	106.4	M90x2.0	20.0	M75x1.5	31.0	117.0
M90-M80	106.4	M90x2.0	20.0	M80x2.0	31.0	117.0
M100-M16	114.3	M100x2.0	20.0	M16x1.5	31.0	125.7
M100-M20	114.3	M100x2.0	20.0	M20x1.5	31.0	125.7
M100-M25	114.3	M100x2.0	20.0	M25x1.5	31.0	125.7
M100-M32	114.3	M100x2.0	20.0	M32x1.5	31.0	125.7
M100-M40	114.3	M100x2.0	20.0	M40x1.5	31.0	125.7
M100-M50	114.3	M100x2.0	20.0	M50x1.5	31.0	125.7
M100-M63	114.3	M100x2.0	20.0	M63x1.5	31.0	125.7
M100-M75	114.3	M100x2.0	20.0	M75x1.5	31.0	125.7
M100-M80	114.3	M100x2.0	20.0	M80x2.0	31.0	125.7
M100-M85	114.3	M100x2.0	20.0	M85x2.0	31.0	125.7
M100-M90	114.3	M100x2.0	20.0	M90x2.0	31.0	125.7

NOTES

- MATERIAL OPTIONS: -
BRASS CZ121 - CW614N CuZn 39Pb3
STAINLESS STEEL 316L - 1.4404
ALUMINIUM - AW6082
- PLATING OPTIONS: -
ELECTRO NICKEL
ELECTROLESS NICKEL
ELECTRO ZINC
- THREADS CONFORM AS FOLLOWS: -
ISO M: ISO 965-1 1998, IEC 60423 1993
- THREAD GAUGING AS FOLLOWS: -
ISO M: 6g FIT (MALE), 6H (FEMALE)
- STANDARD PITCHES SIZES ARE AS FOLLOWS: -
UP TO M75 - 1.5MM
ABOVE M75 - 2.0MM
- STAINLESS STEEL ADAPTORS HAVE NO MARKING BAND. MARKING IS ELECTRO ETCHED ON FLAT HEXAGON FACE.
- DIMENSIONS A AND N MAY BE SUBJECT TO CHANGE DUE TO MATERIAL AVAILABILITY.

DRAWN RJW
DATE 07/11/2011
CHECKED
APPROVED
CAD REF
SCALE N.T.S
ISSUE
1. Original

X-REFS:-

ALL DIMENSIONS ARE IN MILLIMETERS, U.O.S.
MACHINING TOLERANCES ARE APPLICABLE.
ALL BURRS AND SHARP EDGES REMOVED.

PEPPERS CABLE GLANDS LIMITED
STANHOPE ROAD, CAMBERLEY, SURREY, UK.
TEL +44 (0)1276 64232, FAX +44 (0)1276 691752

TITLE AR RANGE
REDUCER - METRIC TO METRIC

The design and manufacturing information contained in this drawing is the exclusive right of PEPPERS CABLE GLANDS LTD and must not be copied or used for manufacturing purposes without express authority in writing from the said company.
DRG. No. PCG/COM/RED MM
ISSUE 1

THIS DRAWING IS OF A CERTIFIED COMPONENT, AND NO CHANGES MUST BE MADE WITHOUT REFERENCE TO THE CERTIFYING AUTHORITY.