

A

AlertAlight

AL 112NX Combined Sounder Xenon Beacon
 45 Selectable Tones & 3 Stages
 5J Xenon Flash Tube
 Three Modes: Flashing 1Hz (AC & DC Units),
 Flashing 1.5Hz (DC Units Only),
 Double Strike (DC Units Only).
 Note: Only 1Hz Flashing mode is CPR/VdS approved.
 Only 24V dc & 48V dc versions are CPR/VdS approved.
 CE
 IP Rating: IP66

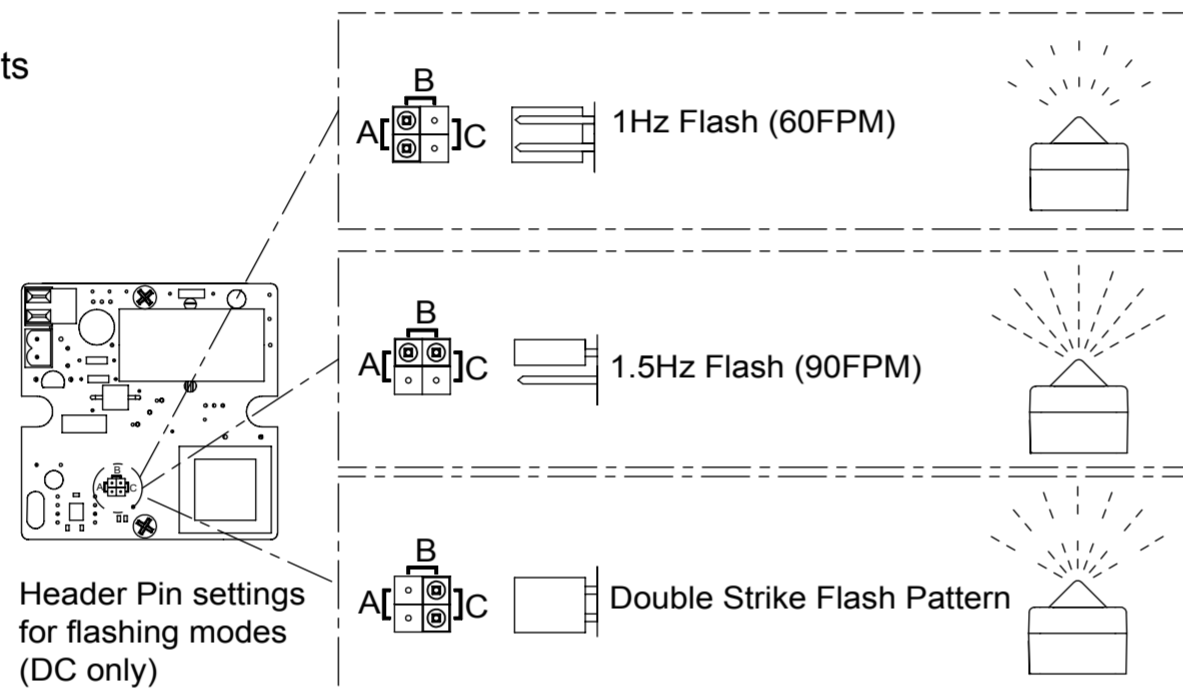
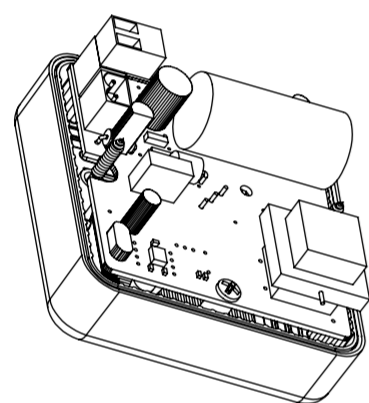
AL112NX

Dimensions : 268 x 130 x 125mm
 1.5mm² terminals
 Cable entry: 2-off M20 x 1.5mm
 threaded holes.
 Temp: -25°C to +55C
 Unit weight: ac = 2.3Kg; dc = 2.0Kg

Order code	Voltage Range	Nominal Voltage	Sounder Current	Beacon Current
AL112NXDC012[X]/[Y]-F	10-14 V dc	12 V dc	200mA	500mA
AL112NXDC024[X]/[Y]-F	20-28V dc	24 V dc	200mA	250mA
AL112NXDC048[X]/[Y]-F	42-54V dc	48 V dc	120mA	175mA
AL112NXAC024[X]/[Y]-F	24 ±10% V ac	24 V ac	500mA	300mA
AL112NXAC115[X]/[Y]-F	115 ±10% V ac	115 V ac	100mA	70mA
AL112NXAC230[X]/[Y]-F	230 ±10% V ac	230 V ac	60mA	35mA

[X] Denotes Body Colour,
 [Y] Denotes Lens Colour: Note CPR Approved units
 only available in C = Clear

Add '-UL' Suffix for UL Approved Units
 (Type 4 / 4X / 3R / 13, IP66)



Tel : +44 (0)2 8743 8880 Fax : +44 (0)20 8740 4200
 mail : sales@e2s.com web : www.e2s.com



C

STAGE 1	FREQUENCY DESCRIPTION	Waveform	Switch	Stage 2	Stage 3
Tone 1	340 Hz Continuous	[Waveform]	[Switch]	Tone 2	Tone 5
Tone 2	800/1000Hz @ 0.25 sec Alternating	[Waveform]	[Switch]	Tone 17	Tone 5
Tone 3	500/1200Hz @ 0.3Hz 0.5 sec Slow Whoop	[Waveform]	[Switch]	Tone 2	Tone 5
Tone 4	800/1000Hz @ 1Hz Sw eeping	[Waveform]	[Switch]	Tone 6	Tone 5
Tone 5	2400Hz Continuous	[Waveform]	[Switch]	Tone 3	Tone 20
Tone 6	2400/2900Hz @ 7Hz Sw eeping	[Waveform]	[Switch]	Tone 7	Tone 5
Tone 7	2400/2900Hz @ 1Hz Sw eeping	[Waveform]	[Switch]	Tone 10	Tone 5
Tone 8	500/1200/500Hz @ 0.3Hz Sw eeping	[Waveform]	[Switch]	Tone 2	Tone 5
Tone 9	1200/500Hz @ 1Hz - DIN / PFEER P.T.A.P.	[Waveform]	[Switch]	Tone 15	Tone 2
Tone 10	2400/2900Hz @ 2Hz Alternating	[Waveform]	[Switch]	Tone 7	Tone 5
Tone 11	1000Hz @ 1Hz Intermittent	[Waveform]	[Switch]	Tone 2	Tone 5
Tone 12	800/1000Hz @ 0.875Hz Alternating	[Waveform]	[Switch]	Tone 4	Tone 5
Tone 13	2400Hz @ 1Hz Intermittent	[Waveform]	[Switch]	Tone 15	Tone 5
Tone 14	800Hz 0.25sec on, 1 sec off Intermittent	[Waveform]	[Switch]	Tone 4	Tone 5
Tone 15	800Hz Continuous	[Waveform]	[Switch]	Tone 2	Tone 5
Tone 16	660Hz 150mS on, 150mS off Intermittent	[Waveform]	[Switch]	Tone 18	Tone 5
Tone 17	544Hz (100mS)/440Hz (400mS) - NF S 32-001	[Waveform]	[Switch]	Tone 2	Tone 27
Tone 18	660Hz 1.8sec on, 1.8sec off Intermittent	[Waveform]	[Switch]	Tone 2	Tone 5
Tone 19	1.4KHz-1.6KHz 1s, 1.6KHz-1.4KHz 0.5s -NFC48-265	[Waveform]	[Switch]	Tone 2	Tone 5
Tone 20	660Hz Continuous	[Waveform]	[Switch]	Tone 2	Tone 5
Tone 21	554Hz/440Hz @ 1Hz Alternating	[Waveform]	[Switch]	Tone 2	Tone 5
Tone 22	544Hz @ 0.875 sec. Intermittent	[Waveform]	[Switch]	Tone 2	Tone 5
Tone 23	800Hz @ 2Hz Intermittent	[Waveform]	[Switch]	Tone 6	Tone 5
Tone 24	800/1000Hz @ 50Hz Sw eeping	[Waveform]	[Switch]	Tone 29	Tone 5
Tone 25	2400/2900Hz @ 50Hz Sw eeping	[Waveform]	[Switch]	Tone 29	Tone 5
Tone 26	Bell	[Waveform]	[Switch]	Tone 2	Tone 15
Tone 27	554Hz Continuous	[Waveform]	[Switch]	Tone 26	Tone 5
Tone 28	440Hz Continuous	[Waveform]	[Switch]	Tone 2	Tone 5
Tone 29	800/1000Hz @ 7Hz Sw eeping	[Waveform]	[Switch]	Tone 7	Tone 5
Tone 30	300Hz Continuous	[Waveform]	[Switch]	Tone 2	Tone 5
Tone 31	660/1200Hz @ 1Hz Sw eeping	[Waveform]	[Switch]	Tone 26	Tone 5
Tone 32	Two tone chime.	[Waveform]	[Switch]	Tone 26	Tone 15
Tone 33	745Hz @ 1Hz Intermittent	[Waveform]	[Switch]	Tone 2	Tone 5
Tone 34	1000 & 2000Hz @ 0.5 sec Alternating - Singapore	[Waveform]	[Switch]	Tone 38	Tone 45
Tone 35	420Hz @ 0.625 sec Australian Alert	[Waveform]	[Switch]	Tone 36	Tone 5
Tone 36	500-1200Hz 3.75sec /0.25sec. Australian Evac.	[Waveform]	[Switch]	Tone 35	Tone 5
Tone 37	1000Hz Continuous - PFEER Toxic Gas	[Waveform]	[Switch]	Tone 9	Tone 45
Tone 38	2000Hz Continuous	[Waveform]	[Switch]	Tone 34	Tone 45
Tone 39	800Hz 0.25sec on, 1 sec off Intermittent	[Waveform]	[Switch]	Tone 23	Tone 17
Tone 40	544Hz (100mS)/440Hz (400mS) - NF S 32-001	[Waveform]	[Switch]	Tone 31	Tone 27
Tone 41	Motor Siren - slow rise to 1200 Hz	[Waveform]	[Switch]	Tone 2	Tone 5
Tone 42	Motor Siren - slow rise to 800 Hz	[Waveform]	[Switch]	Tone 2	Tone 5
Tone 43	1200 Hz Continuous	[Waveform]	[Switch]	Tone 2	Tone 5
Tone 44	Motor Siren - slow rise to 2400 Hz	[Waveform]	[Switch]	Tone 2	Tone 5
Tone 45	1KHz 1s on, 1s off Intermittent - PFEER Gen. Alarm	[Waveform]	[Switch]	Tone 38	Tone 34

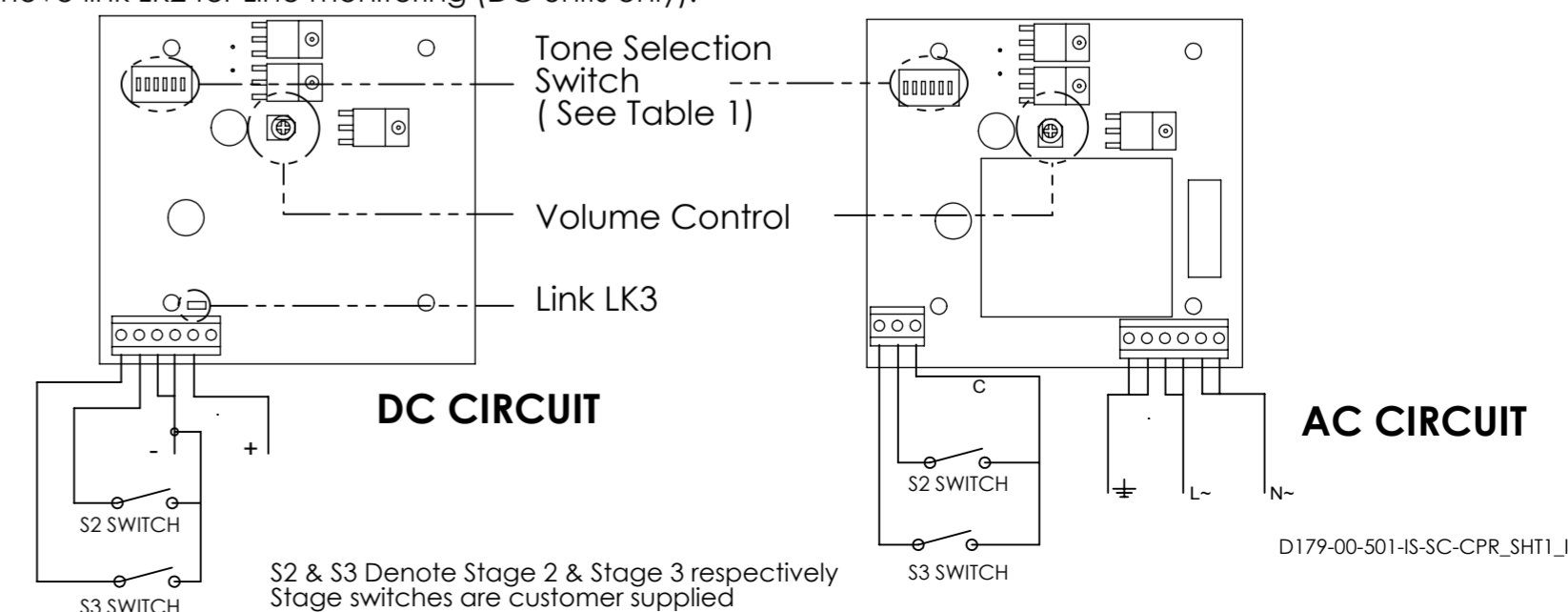
NOTE: Please check factory settings and ensure the correct alarm tone is selected for your country or application

Tone Selection / Switch Setting - Switch settings are shown in the tone selection table. Black squares are the switch levers in the ON positions

Only tones 2, 3, 9, 15, 16 & 17 have been tested to EN54-3 and are compliant with the Construction Products Regulation 305/2011.

Reverse Polarity Switching - On DC versions the second stage alarm tone can be selected by reversing the polarity of the supply voltage if Link LK2 and LK3 are present.

DC line monitoring - Remove link LK2 for Line monitoring (DC units only).



S2 & S3 Denote Stage 2 & Stage 3 respectively
 Stage switches are customer supplied

D179-00-501-IS-SC-CPR_SHT1_ISSUE_D



B

ATTENTION: Installation must be carried out by an electrician in compliance with the latest codes and regulations.

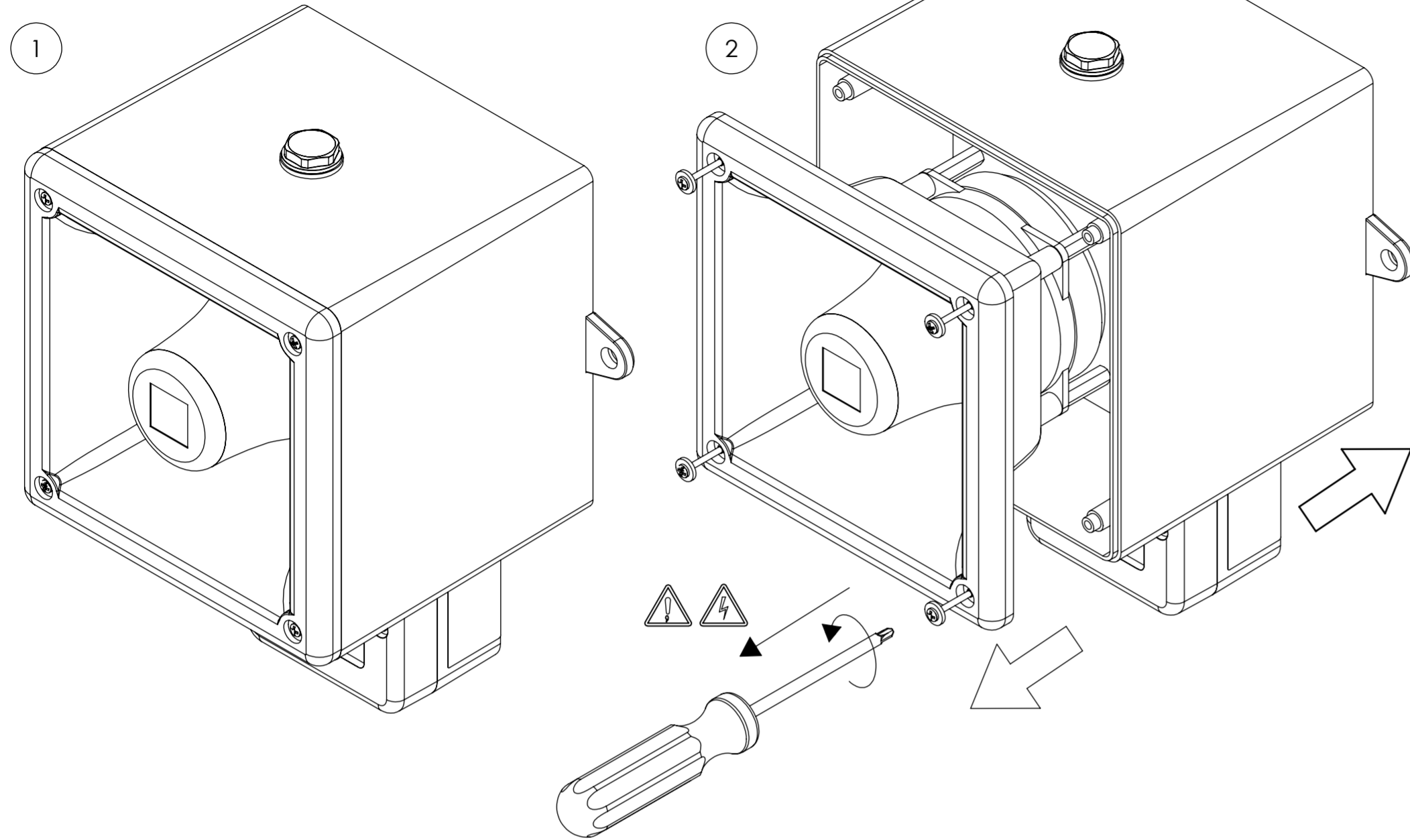
ATTENTION: Disconnect from power source before installation or service to prevent electric shock.

ATTENTION: On strobe beacons allow a minimum of 2 minutes for hazardous high voltage to discharge from unit.



No liability is accepted for any consequences of the use of this document. The technical specification of this unit is subject to change without notice due to our policy of continual product development. All dimensions/weights are approximate. This unit is sold subject to our standard conditions of sale, a copy of which is available on request.

A AlertAlight AL112NX



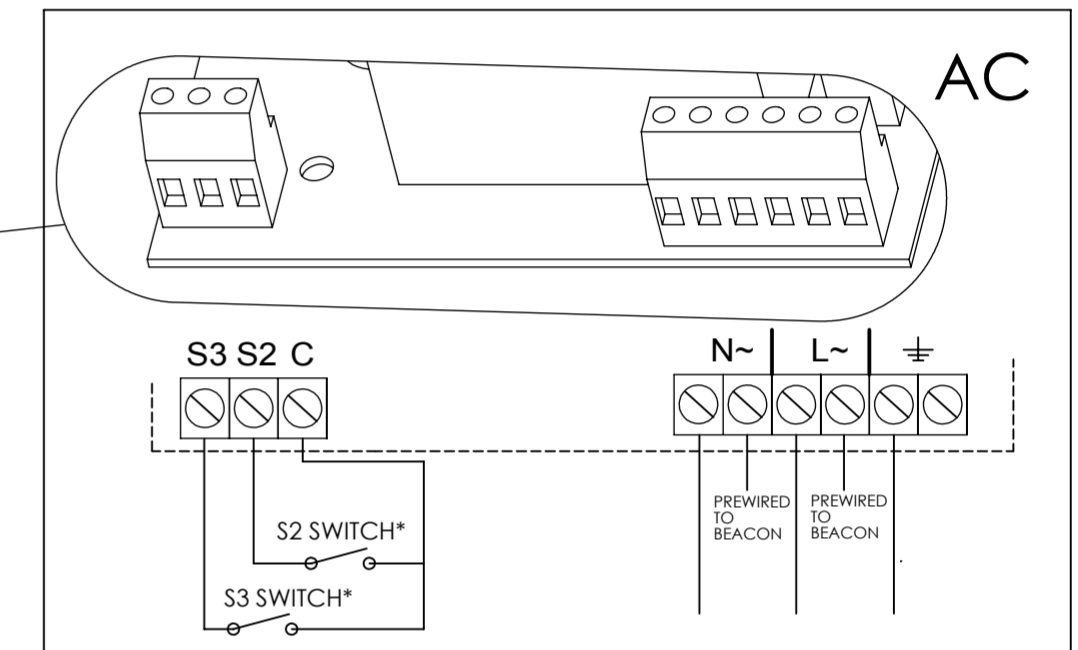
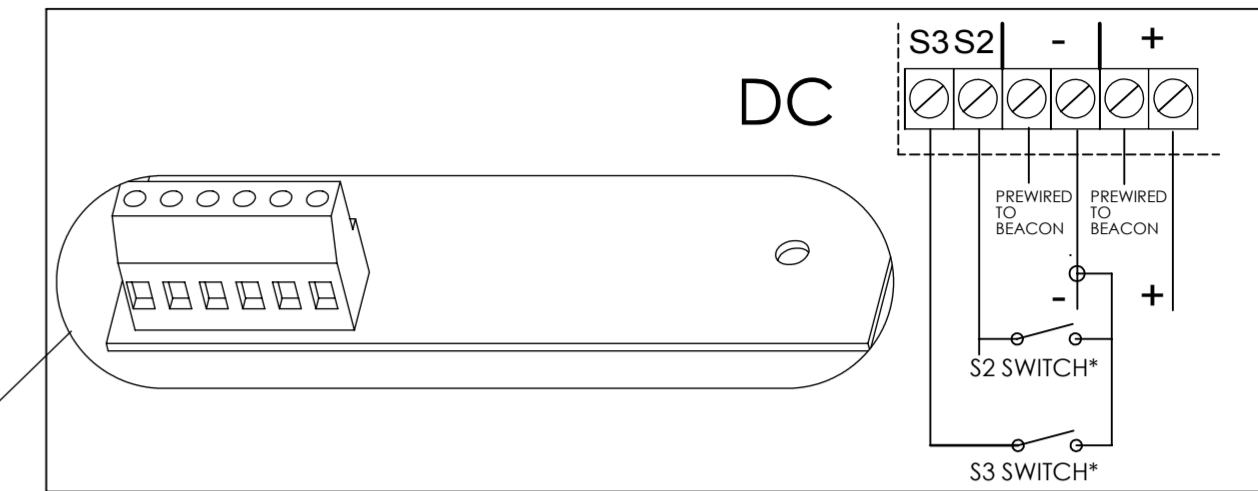
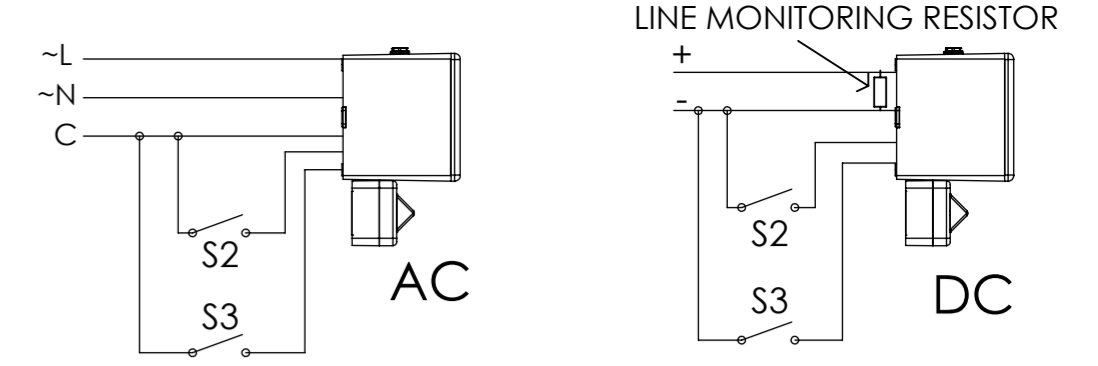
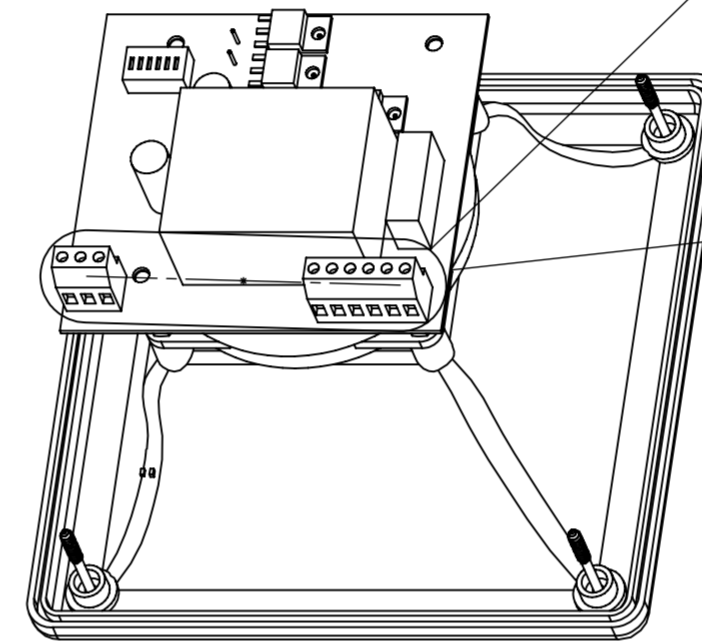
Tel : +44 (0)2 8743 8880 Fax : +44 (0)20 8740 4200
mail : sales@e2s.com web : www.e2s.com



C

TERMINAL BLOCK	A/C INPUT	D/C INPUT
⊕	N~	-
N/-	N~	-
L/+	L~	+
S2	SWITCH TO C	SWITCH TO -
S3	SWITCH TO C	SWITCH TO -

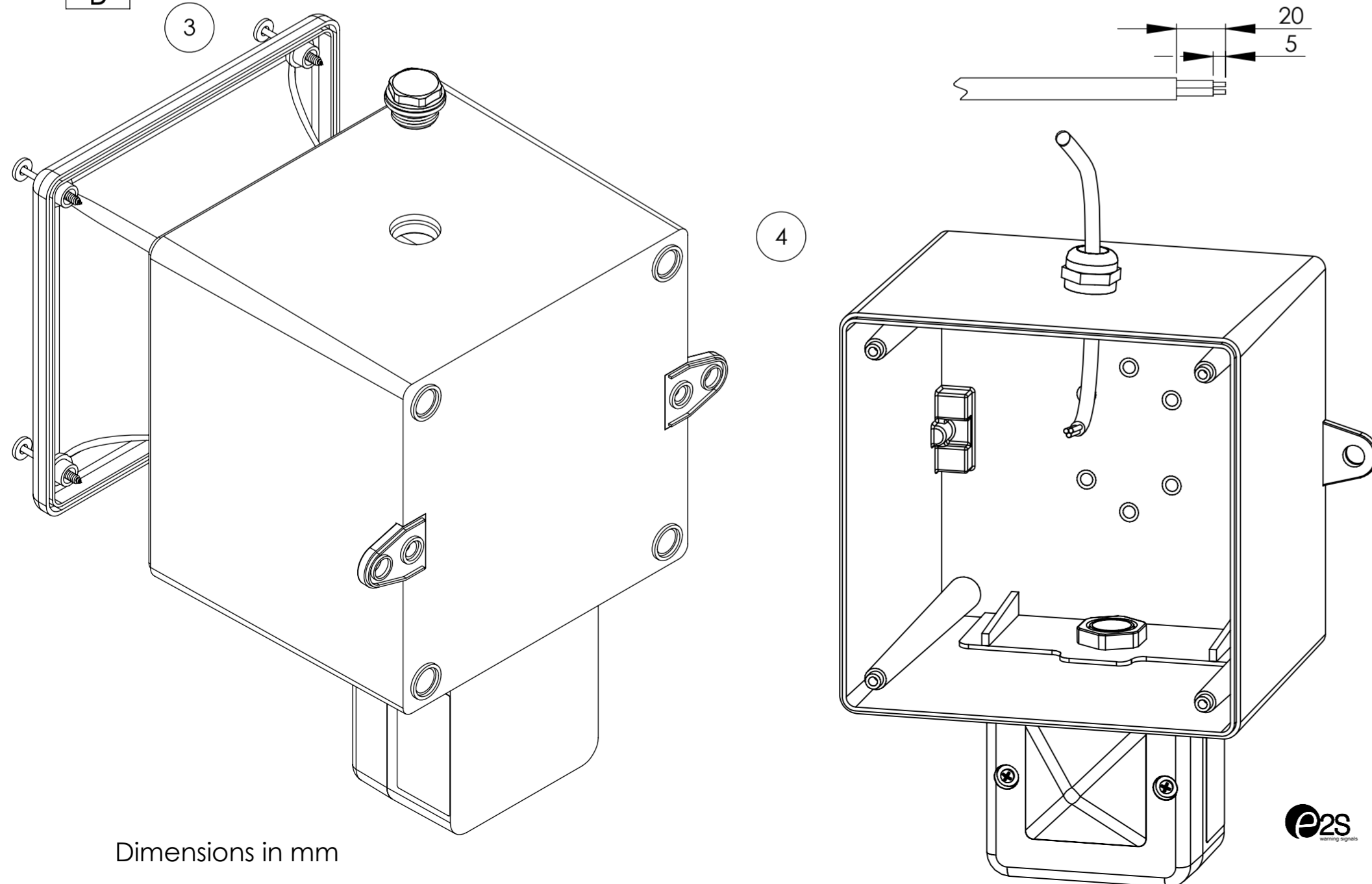
5 CONNECT CABLE AS SHOWN



*S2 & S3 Denote Stage 2 & Stage 3 respectively
Stage switches are customer supplied



B

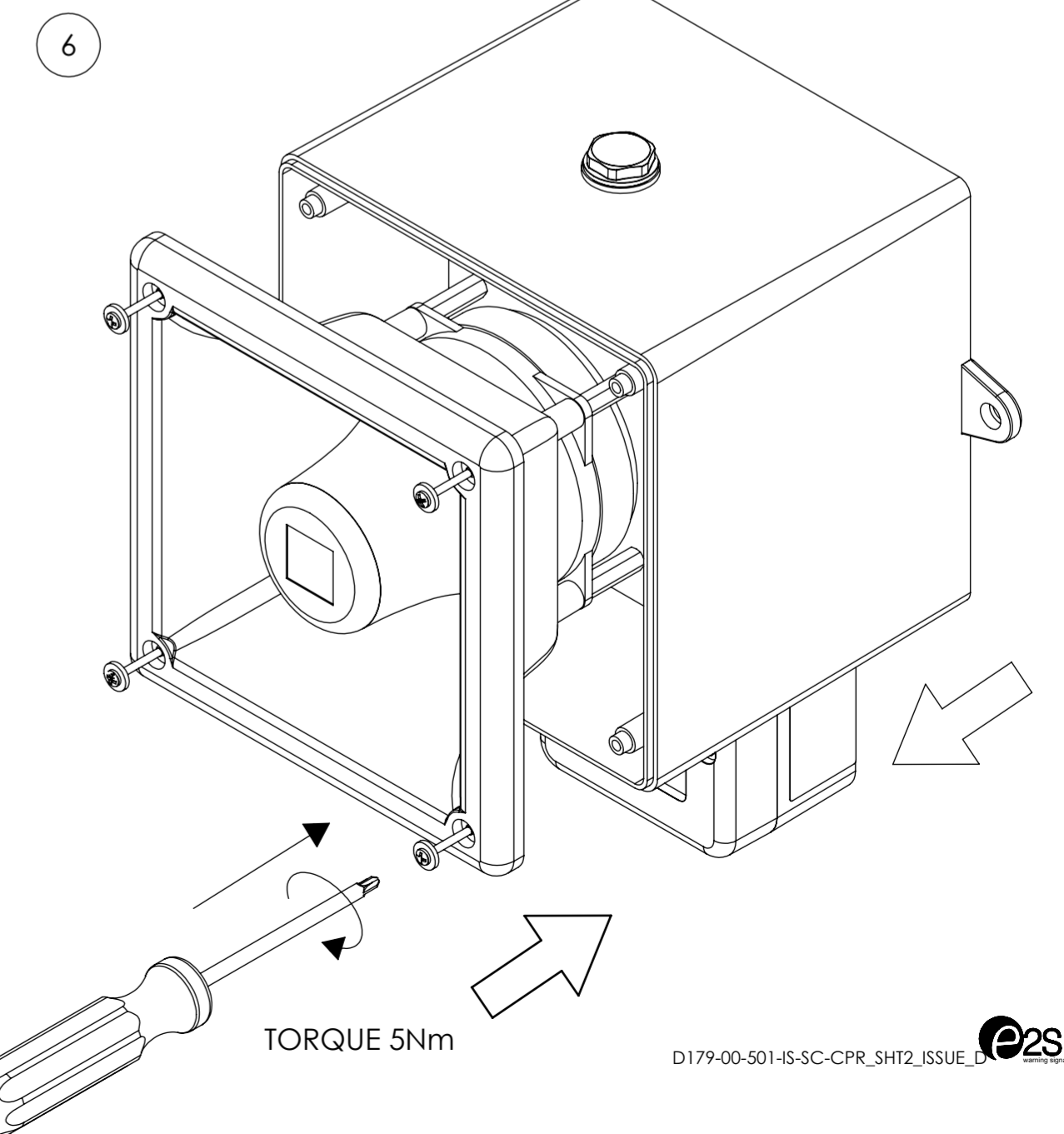


Dimensions in mm



D

CPR FILE DRAWING
No modification permitted
without reference to
"VdS"



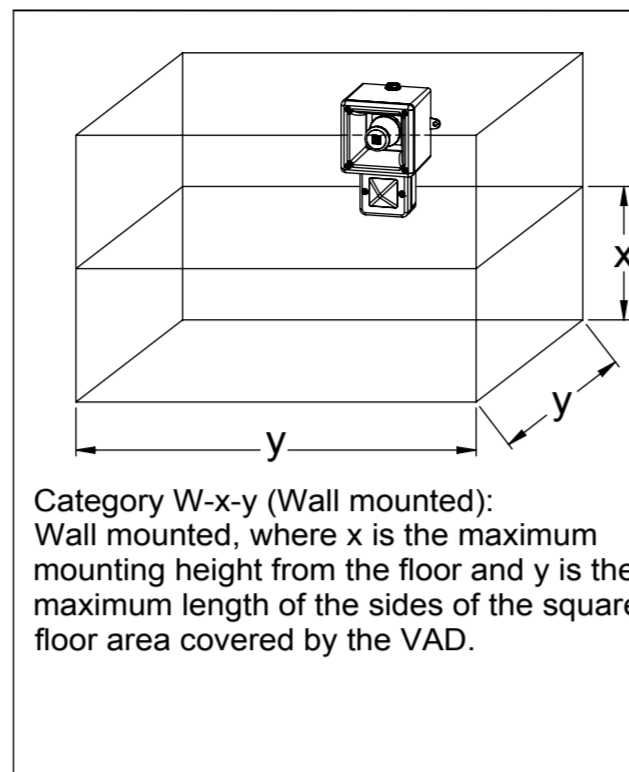
TORQUE 5Nm

D179-00-501-IS-SC-CPR_SHT2_ISSUE_D



AL112NXDC024 LIGHT OUTPUT

A



Note: CPR approved units must be positioned sounder on top, beacon below.

Coverage Area According to EN54-23
(Only units in the following table are VdS Approved)

Unit	Category W	Power
AL112NXDC024[x]/C-F	W-2.4-4.8 V=55.3m ³	11W
AL112NXDC048[x]/C-F	W-2.5-5 V=62.5m ³	14W

CPR FILE DRAWING
No modification permitted without reference to "VdS"

Tel : +44 (0)2 8743 8880 Fax : +44 (0)20 8740 4200
mail : sales@e2s.com web : www.e2s.com

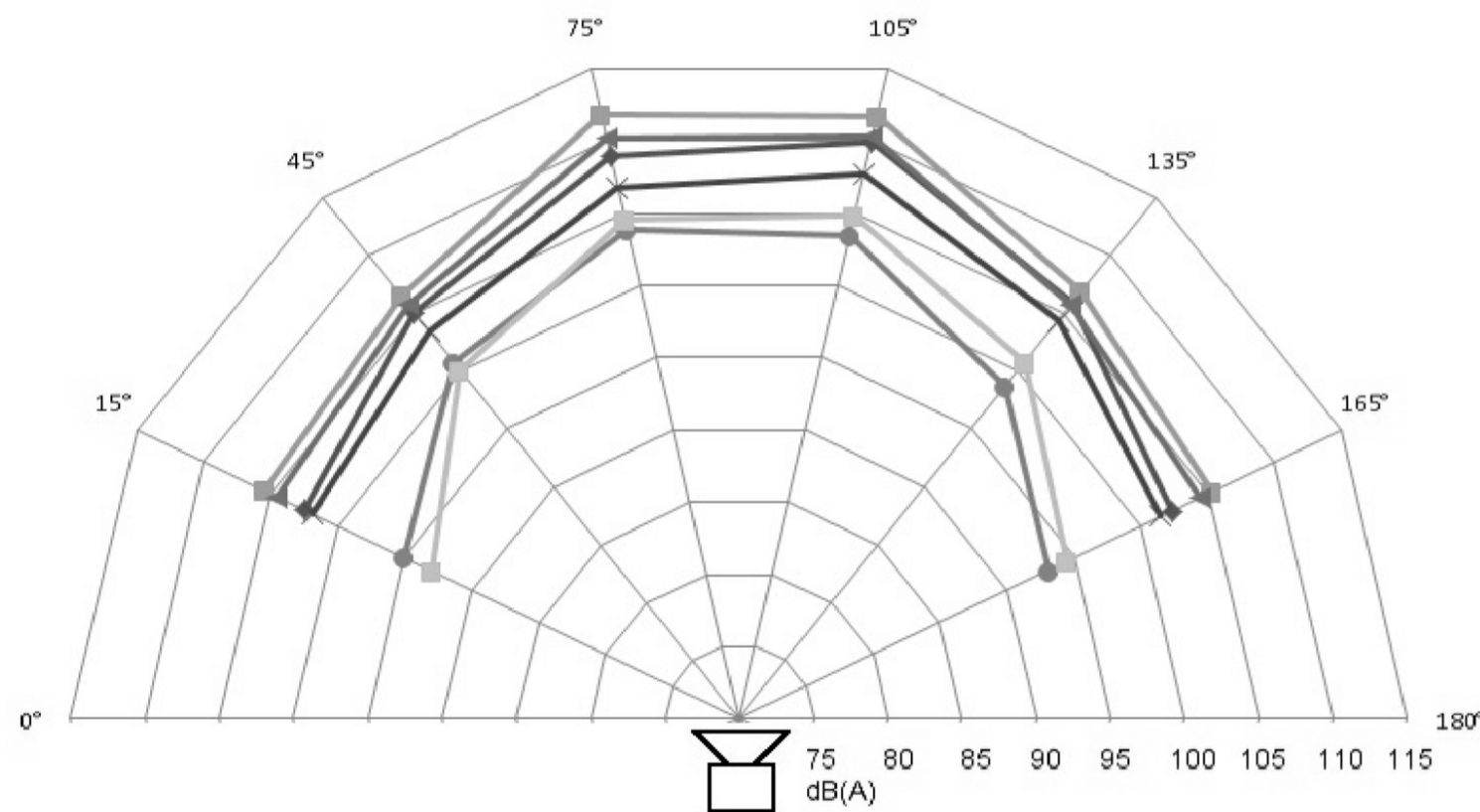


B

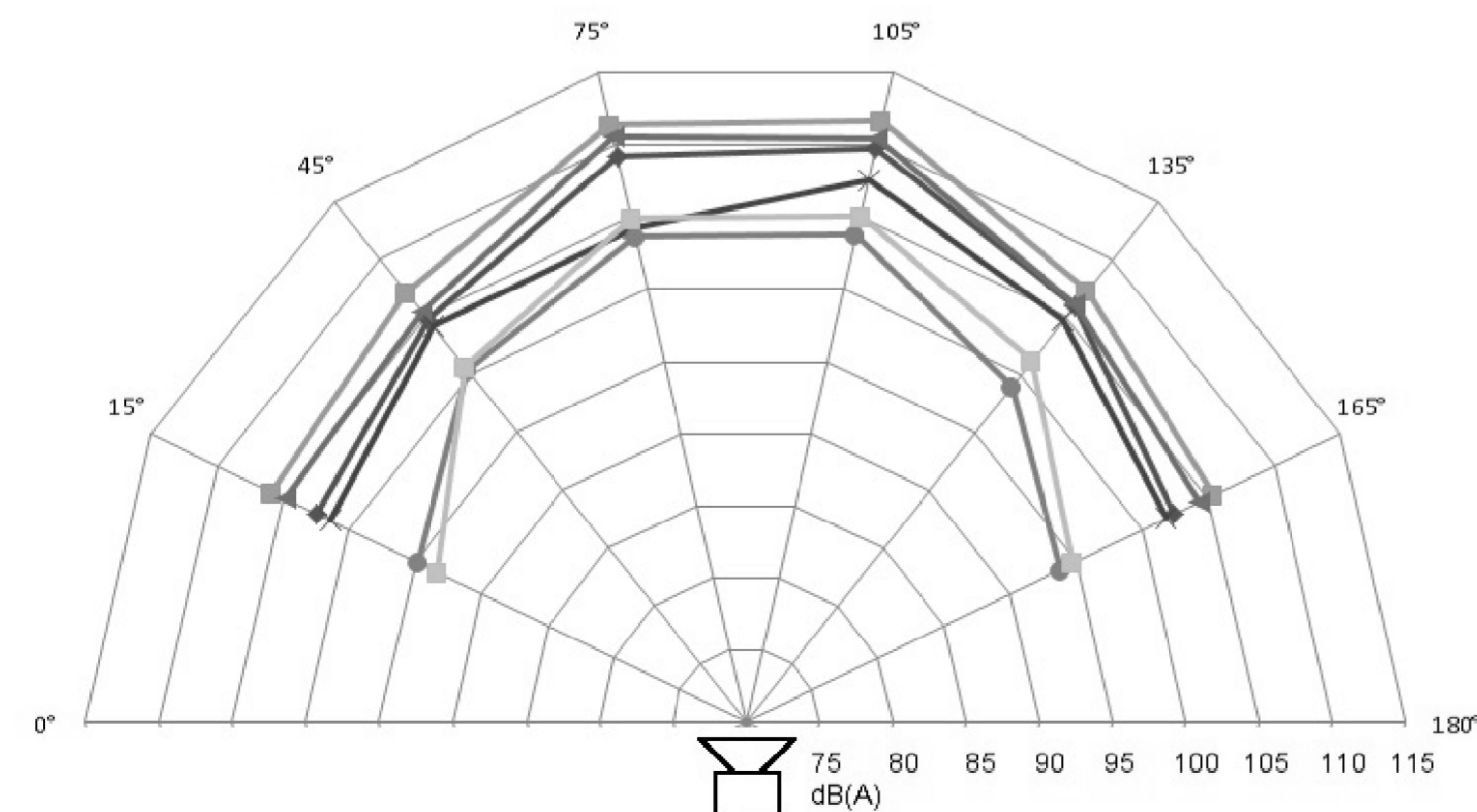
AL112NXDC024 SOUND PRESSURE LEVEL OUTPUT

(TESTING AT MINIMUM VOLTAGE OF 18V DC.
ALL READINGS ARE IN dB(A) @ 1m)

AL112NXDC024 HORIZONTAL POLAR PLOT



AL112NXDC024 VERTICAL POLAR PLOT

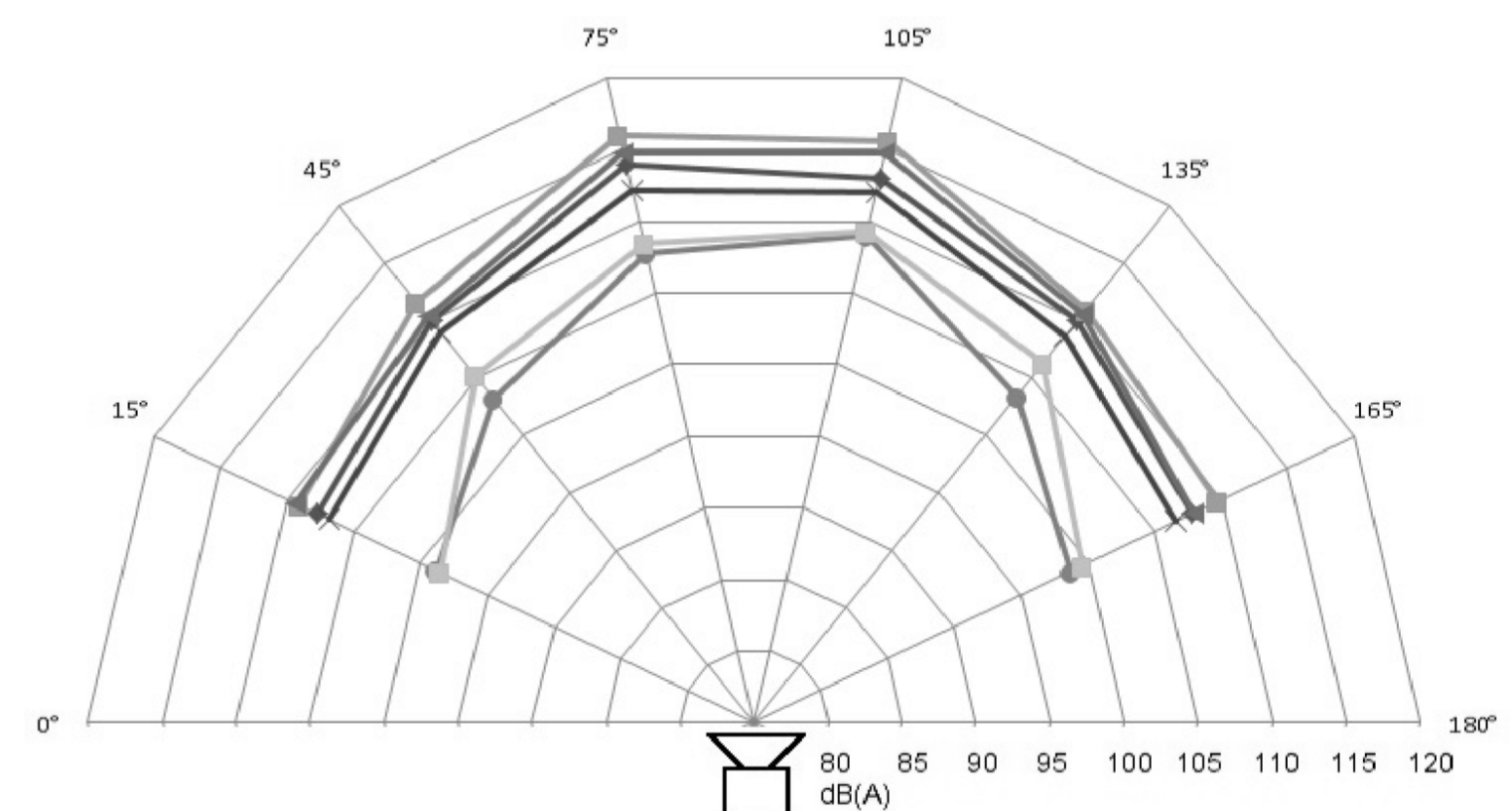


- Tone 2
- Tone 3
- ▲— Tone 9
- ×— Tone 15
- Tone 16
- Tone 17

AL112NXDC048 SOUND PRESSURE LEVEL OUTPUT

(TESTING AT MINIMUM VOLTAGE OF 38V DC.
ALL READINGS ARE IN dB(A) @ 1m)

AL112NXDC048 HORIZONTAL POLAR PLOT



AL112NXDC048 VERTICAL POLAR PLOT

