

# AlertAlight

AL105NX Combined Sounder Xenon Beacon  
 32 Selectable Tones & 3 Stages  
 5J Xenon Flash Tube  
 Three Modes: Flashing 1Hz (AC & DC Units),  
 Flashing 1.5Hz (DC Units Only),  
 Double Strike (DC Units Only).  
 Note: Only 1Hz Flashing mode is CPR/VdS approved.  
 Only 24V dc & 48V dc versions are CPR/VdS approved  
 CE  
 IP Rating: IP66

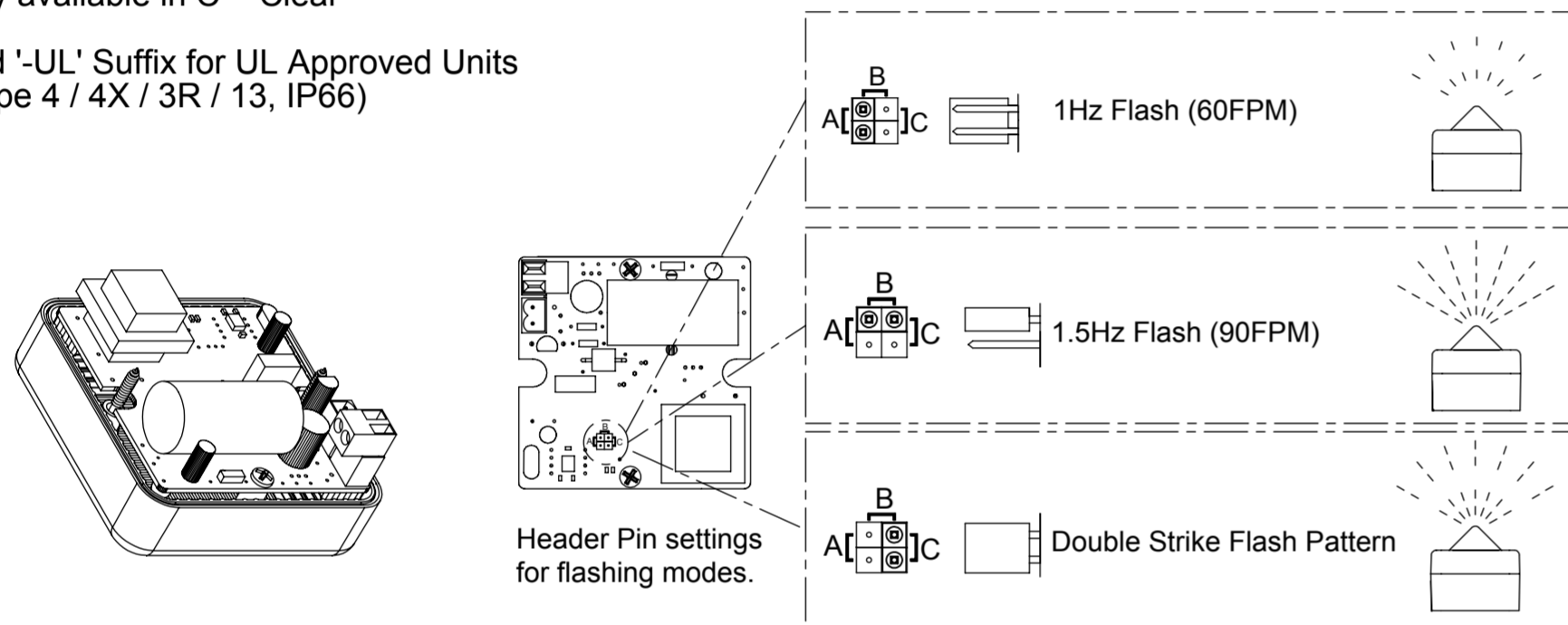
# AL105NX

Dimensions : 216 x 133 x 130mm  
 1.5mm<sup>2</sup> terminals  
 Cable entry: 1-off M20 x 1.5mm  
 Temp: -25°C to +55°C  
 Unit weight: 2.1Kg

Order code	Voltage Range	Nominal Voltage	Sounder Current @Tone 2	Beacon Current
AL105NXDC012[X]/[Y]-F	10-14V dc	12 V dc	25mA	500mA
AL105NXDC024[X]/[Y]-F	20-28V dc	24 V dc	25mA	250mA
AL105NXDC048[X]/[Y]-F	42-54V dc	48 V dc	50mA	175mA
AL105NXAC024[X]/[Y]-F	24 ± 10% V ac	24 V ac	300mA	300mA
AL105NXAC115[X]/[Y]-F	115 ± 10% V ac	115 V ac	20mA	70mA
AL105NXAC230[X]/[Y]-F	230 ± 10% V ac	230 V ac	15mA	35mA

[X] Denotes Body Colour,  
 [Y] Denotes Lens Colour: Note CPR Approved units  
 only available in C = Clear

Add '-UL' Suffix for UL Approved Units  
 (Type 4 / 4X / 3R / 13, IP66)



Tel : +44 (0)2 8743 8880 Fax : +44 (0)20 8740 4200  
 mail : sales@e2s.com web : www.e2s.com



B

- ATTENTION:** Installation must be carried out by an electrician in compliance with the latest codes and regulations.
- ATTENTION:** Disconnect from power source before installation or service to prevent electric shock.
- ATTENTION:** On strobe beacons allow a minimum of 2 minutes for hazardous high voltage to discharge from unit.



No liability is accepted for any consequences of the use of this document. The technical specification of this unit is subject to change without notice due to our policy of continual product development. All dimensions/weights are approximate. This unit is sold subject to our standard conditions of sale, a copy of which is available on request.

C

STAGE 1	FREQUENCY DESCRIPTION	dB(A)@ 1m	Waveform	Switch	Stage 2	Stage 3
TONE 1	340 Hz Continuous	102	[Waveform]	[Switch]	TONE 2	TONE 5
TONE 2	800/1000Hz @ 0.25 sec Alternating	106	[Waveform]	[Switch]	TONE 17	TONE 5
TONE 3	500/1200Hz @ 0.3Hz 0.5 sec Slow Whoop	106	[Waveform]	[Switch]	TONE 2	TONE 5
TONE 4	800/1000Hz @ 1Hz Sw eeping	106	[Waveform]	[Switch]	TONE 6	TONE 5
TONE 5	2400Hz Continuous	112	[Waveform]	[Switch]	TONE 3	TONE 20
TONE 6	2400/2900Hz @ 7Hz Sw eeping	108	[Waveform]	[Switch]	TONE 7	TONE 5
TONE 7	2400/2900Hz @ 1Hz Sw eeping	108	[Waveform]	[Switch]	TONE 10	TONE 5
TONE 8	500/1200/500Hz @ 0.3Hz Sw eeping	106	[Waveform]	[Switch]	TONE 2	TONE 5
TONE 9	1200/500Hz @ 1Hz - DIN / PFEER P.T.A.P.	106	[Waveform]	[Switch]	TONE 15	TONE 2
TONE 10	2400/2900Hz @ 2Hz Alternating	110	[Waveform]	[Switch]	TONE 7	TONE 5
TONE 11	1000Hz @ 1Hz Intermittent	106	[Waveform]	[Switch]	TONE 2	TONE 5
TONE 12	800/1000Hz @ 0.875Hz Alternating	106	[Waveform]	[Switch]	TONE 4	TONE 5
TONE 13	2400Hz @ 1Hz Intermittent	112	[Waveform]	[Switch]	TONE 15	TONE 5
TONE 14	800Hz 0.25sec on, 1 sec off Intermittent	108	[Waveform]	[Switch]	TONE 15	TONE 5
TONE 15	800Hz Continuous	108	[Waveform]	[Switch]	TONE 2	TONE 5
TONE 16	660Hz 150mS on, 150mS off Intermittent	104	[Waveform]	[Switch]	TONE 18	TONE 5
TONE 17	544Hz (100mS)/440Hz (400mS) - NF S 32-001	104	[Waveform]	[Switch]	TONE 2	TONE 27
TONE 18	660Hz 1.8sec on, 1.8sec off Intermittent	104	[Waveform]	[Switch]	TONE 2	TONE 5
TONE 19	1.4KHz-1.6KHz 1s, 1.6KHz-1.4KHz 0.5s -NFC48-265	106	[Waveform]	[Switch]	TONE 2	TONE 5
TONE 20	660Hz Continuous	104	[Waveform]	[Switch]	TONE 2	TONE 5
TONE 21	554Hz/440Hz @ 1Hz Alternating	104	[Waveform]	[Switch]	TONE 2	TONE 5
TONE 22	544Hz @ 0.875 sec. Intermittent	104	[Waveform]	[Switch]	TONE 2	TONE 5
TONE 23	800Hz @ 2Hz Intermittent	108	[Waveform]	[Switch]	TONE 6	TONE 5
TONE 24	800/1000Hz @ 50Hz Sw eeping	108	[Waveform]	[Switch]	TONE 29	TONE 5
TONE 25	2400/2900Hz @ 50Hz Sw eeping	108	[Waveform]	[Switch]	TONE 29	TONE 5
TONE 26	Bell	100	[Waveform]	[Switch]	TONE 2	TONE 15
TONE 27	554Hz Continuous	104	[Waveform]	[Switch]	TONE 26	TONE 5
TONE 28	440Hz Continuous	103	[Waveform]	[Switch]	TONE 2	TONE 5
TONE 29	800/1000Hz @ 7Hz Sw eeping	105	[Waveform]	[Switch]	TONE 7	TONE 5
TONE 30	300Hz Continuous	100	[Waveform]	[Switch]	TONE 2	TONE 5
TONE 31	660/1200Hz @ 1Hz Sw eeping	105	[Waveform]	[Switch]	TONE 26	TONE 5
TONE 32	Two tone chime.	103	[Waveform]	[Switch]	TONE 26	TONE 15

**NOTE: Please check factory settings and ensure the correct alarm tone is selected for your country or application**

Tone Selection / Switch Setting - Switch settings are shown in the tone selection table. Black squares are the switch levers in the ON positions

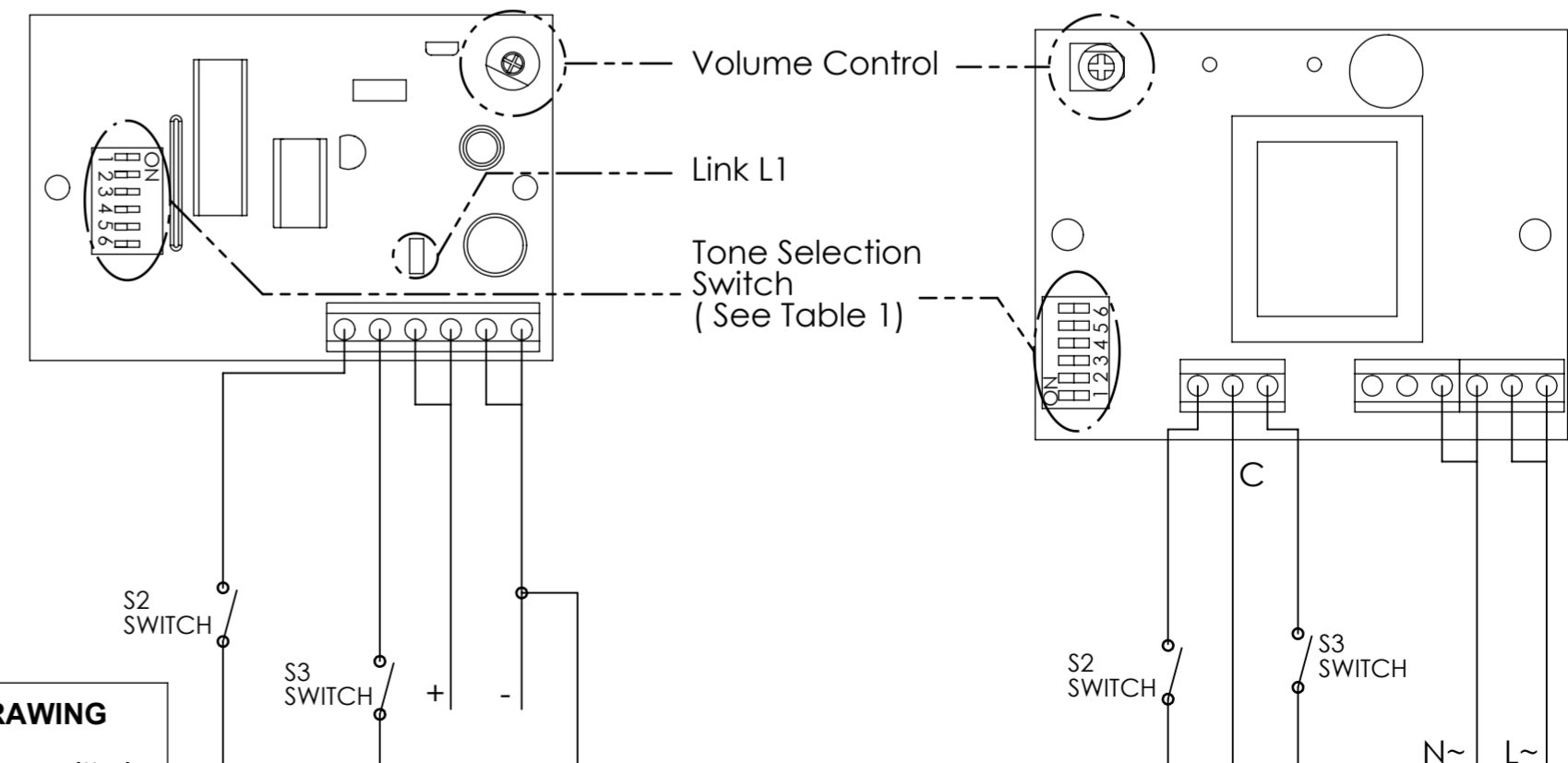
Only tones 2, 3, 9, 15, 16 & 17 have been tested to EN54-3 and are compliant with the Construction Products Regulation 305/2011.

Reverse Polarity Switching - On DC versions the second stage alarm tone can be selected by reversing the polarity of the supply voltage if switch 6 is in the ON position and Link L1 is made.

DC Line Monitoring - Remove Link L1 for line monitoring (DC units only).

## DC CIRCUIT

## AC CIRCUIT



### CPR FILE DRAWING

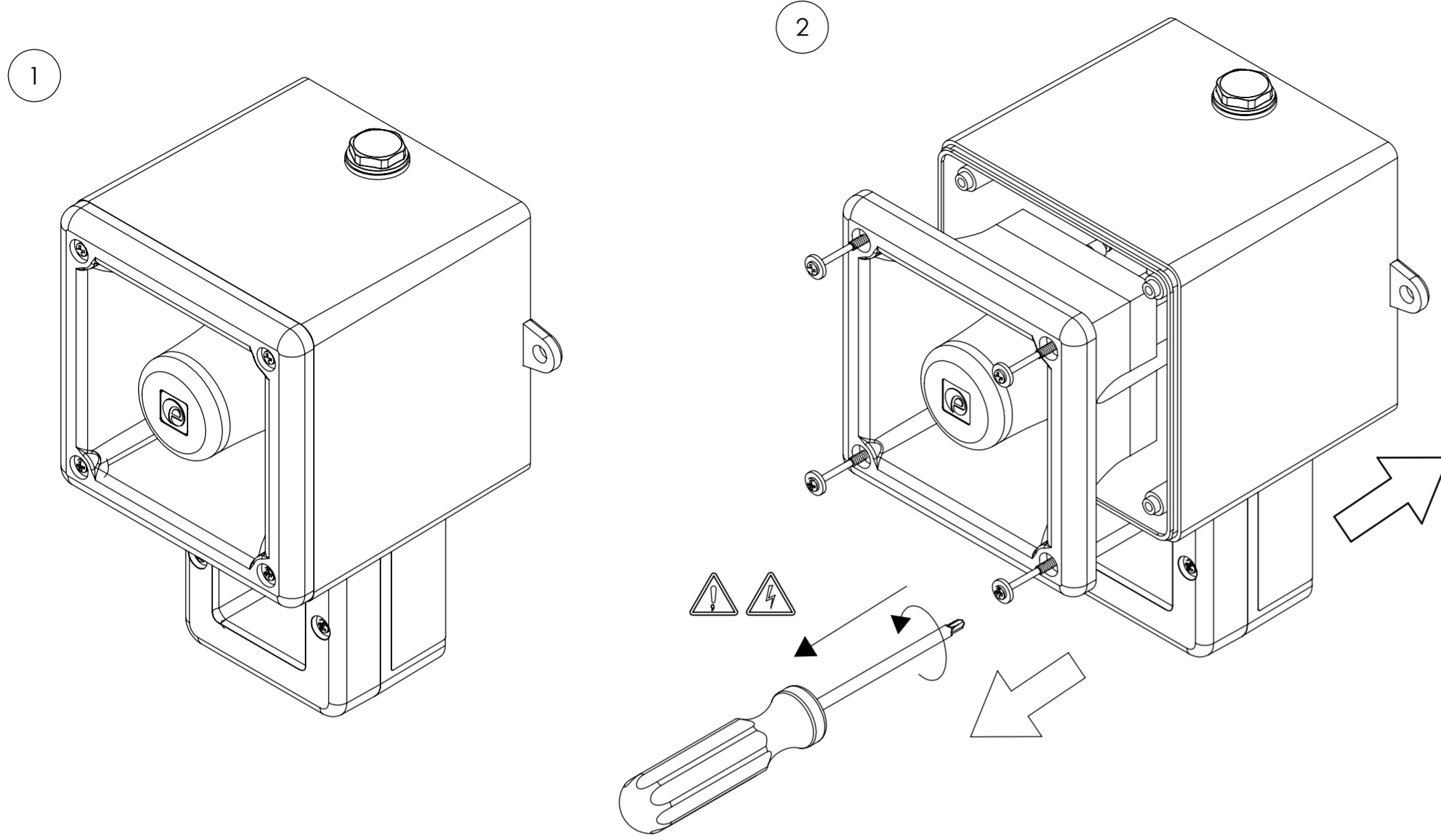
No modification permitted  
 without reference to  
 "VdS"

S2 & S3 Denote Stage 2 & Stage 3 respectively  
 Stage switches are customer supplied

D178-00-501-IS-SC-CPR\_SHT1\_ISSUE\_D



# A AlertAlight AL105NX

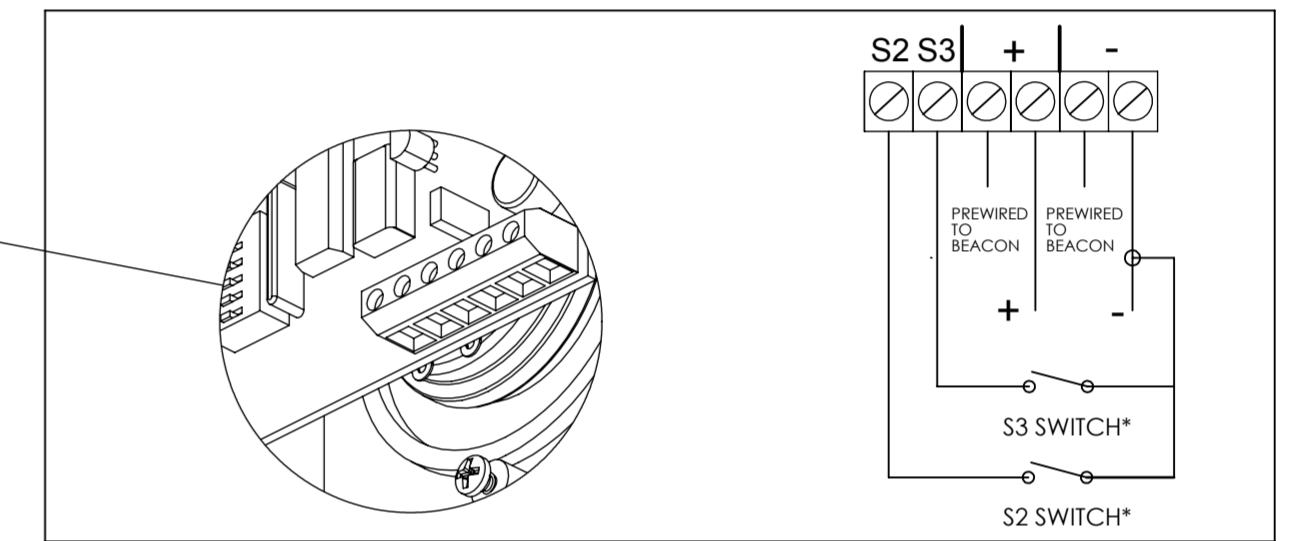
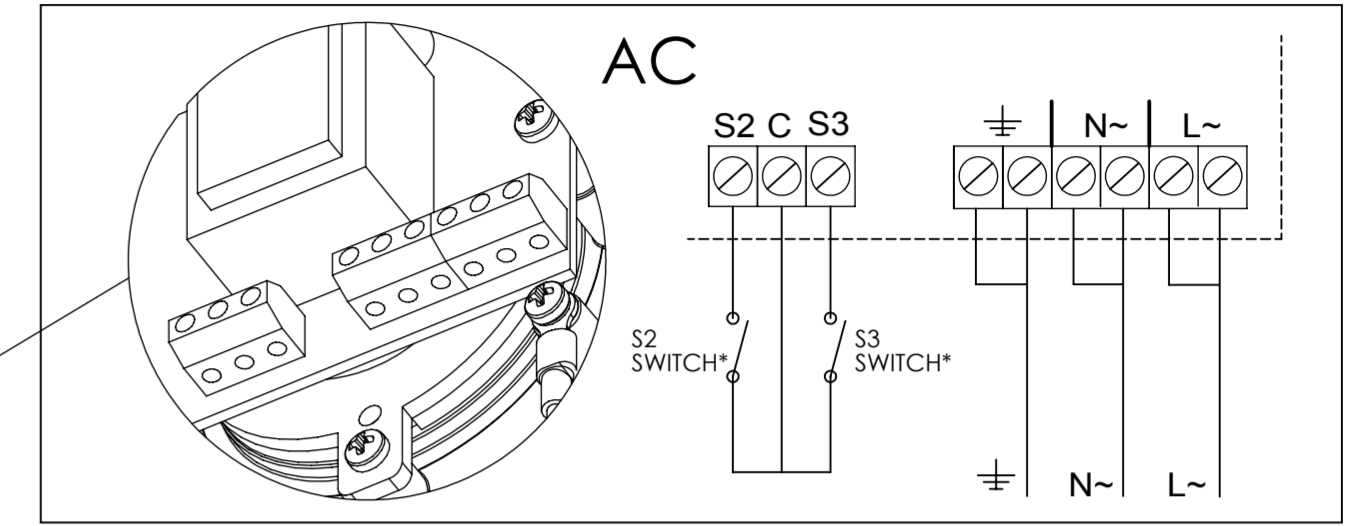
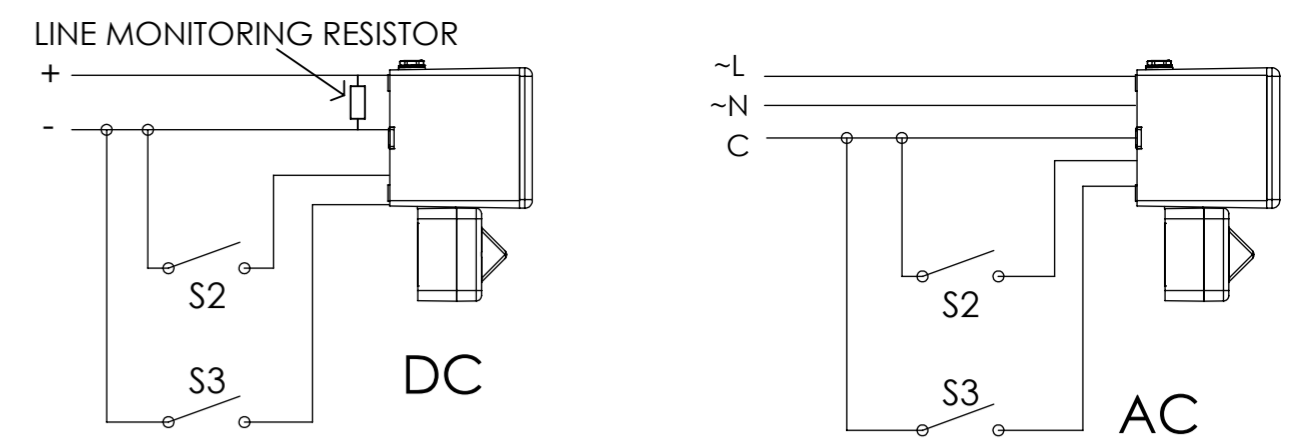
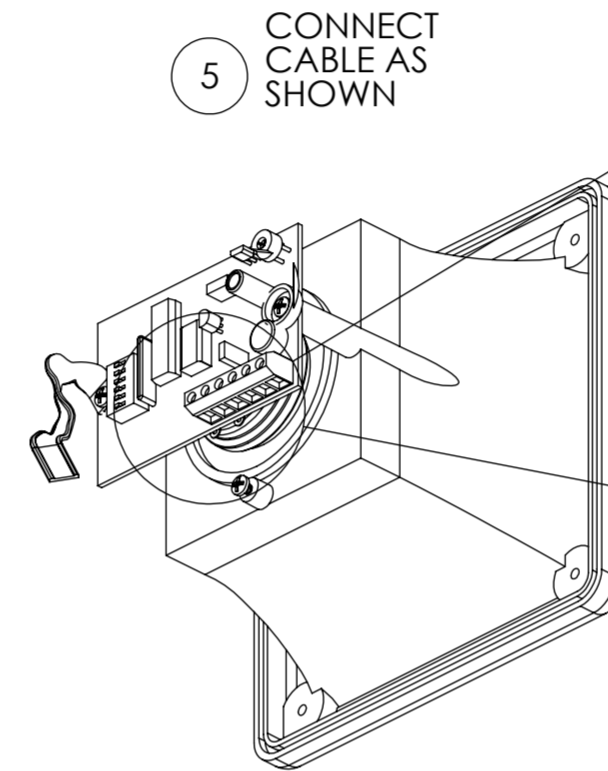


Tel : +44 (0)2 8743 8880 Fax : +44 (0)20 8740 4200  
 mail : sales@e2s.com web : www.e2s.com



## C

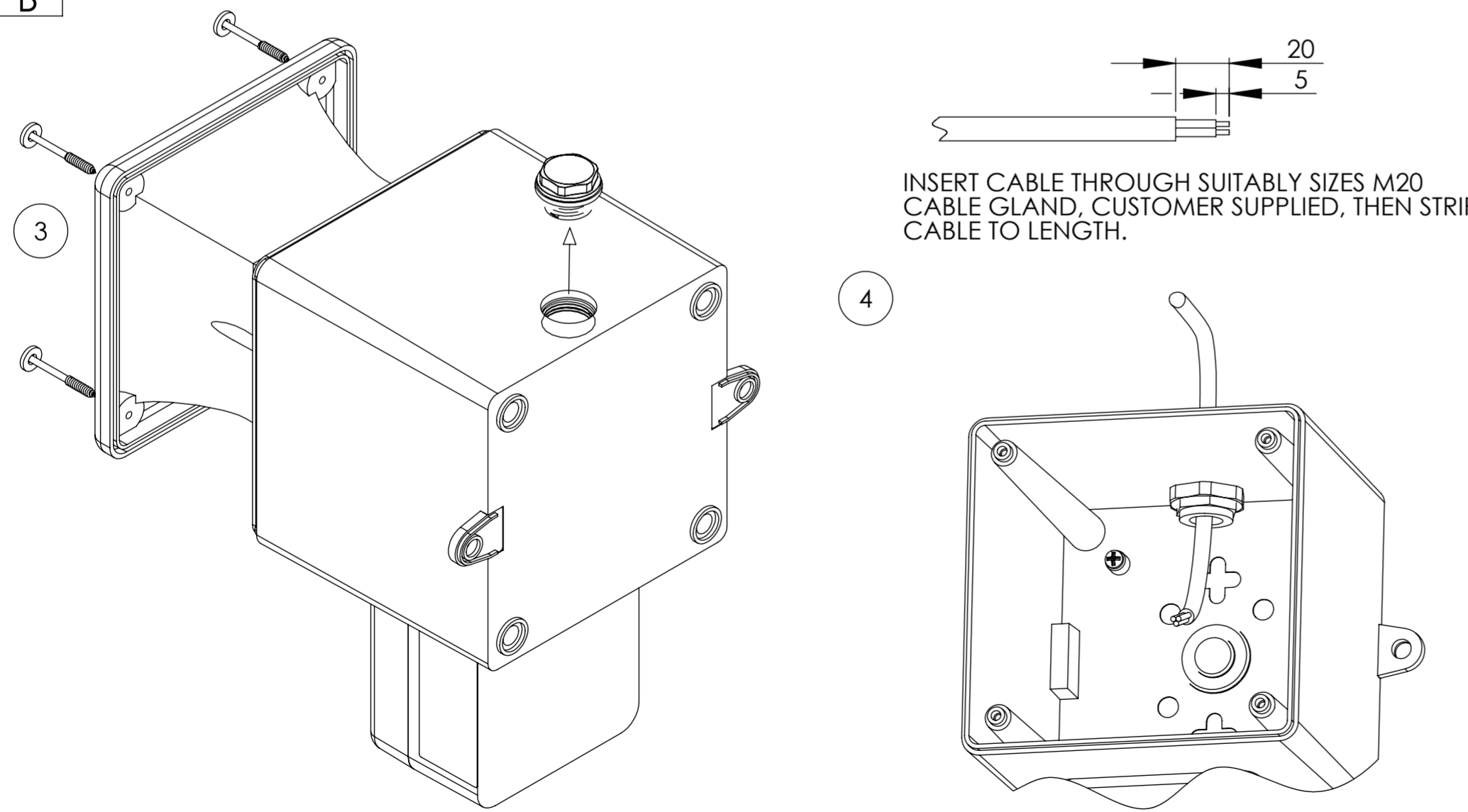
TERMINAL BLOCK	A/C INPUT	D/C INPUT
⊕		
N/-	N~	-
L/+	L~	+
S2	SWITCH TO C	SWITCH TO -
S3	SWITCH TO C	SWITCH TO -



\*S2 & S3 Denote Stage 2 & Stage 3 respectively  
 Stage switches are customer supplied



## B

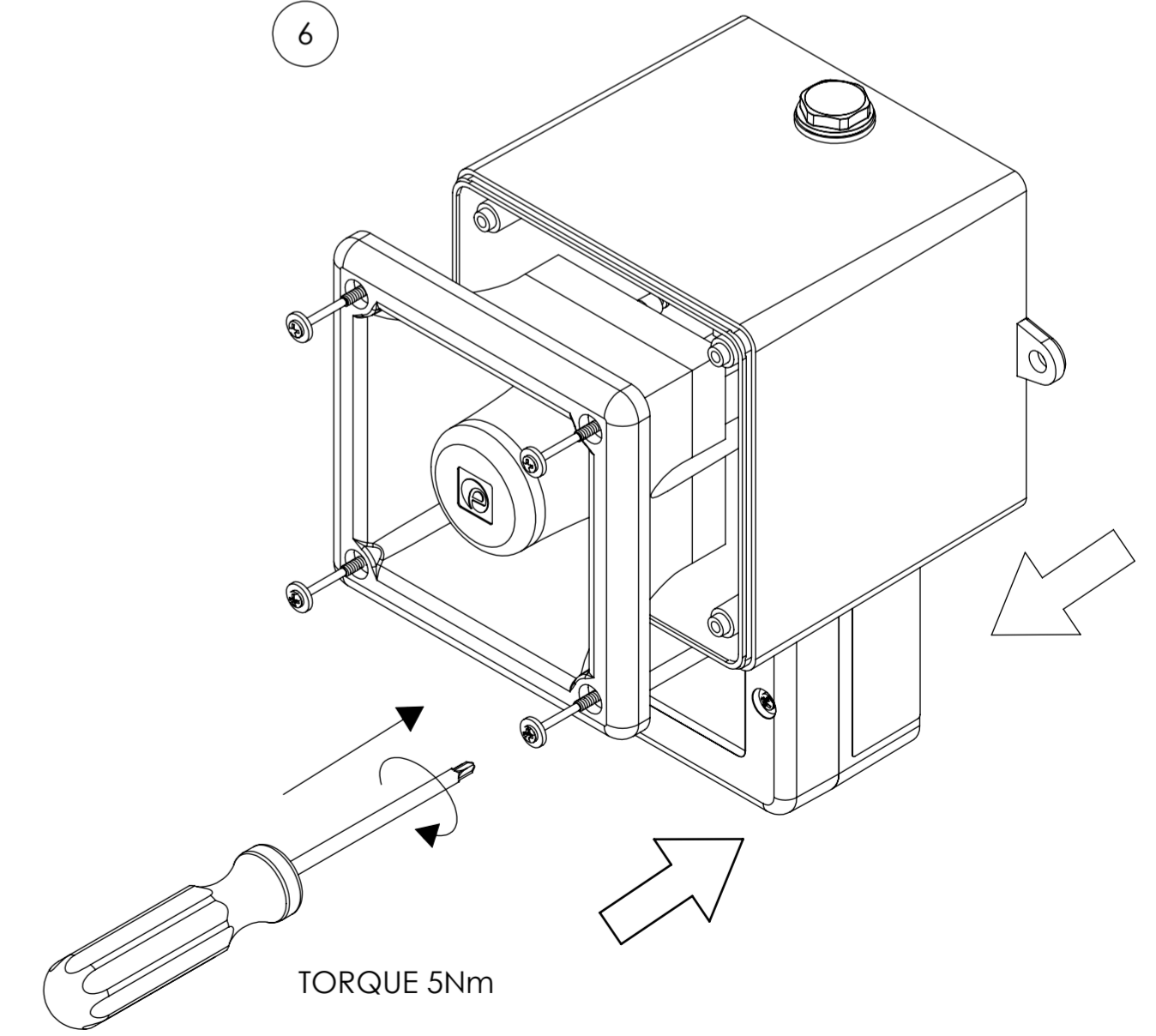


INSERT CABLE THROUGH SUITABLY SIZES M20  
 CABLE GLAND, CUSTOMER SUPPLIED, THEN STRIP  
 CABLE TO LENGTH.



Dimensions in mm

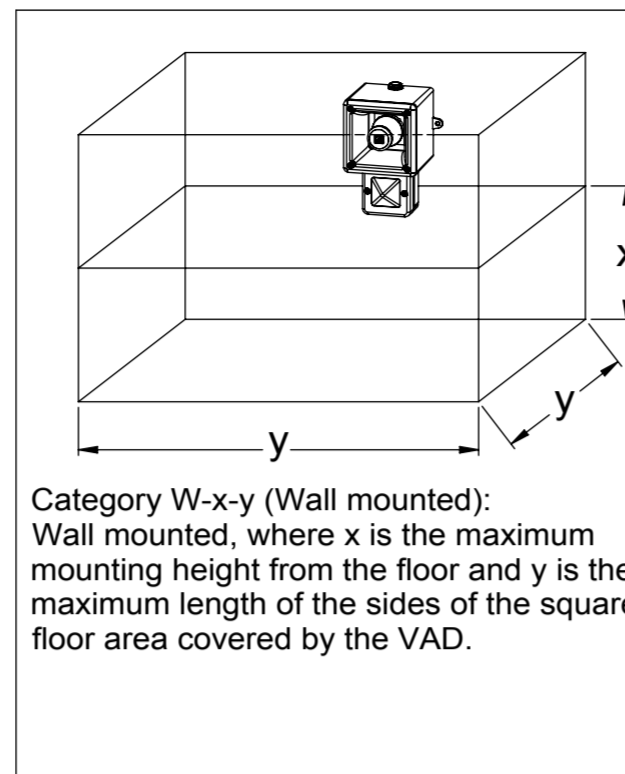
## D



**CPR FILE DRAWING**  
 No modification permitted  
 without reference to  
 "VdS"

A

# AL105NXDC024 LIGHT OUTPUT



Note: CPR approved units must be positioned sounder on top, beacon below.

Coverage Area According to EN54-23  
(Only units in the following table are VdS Approved)

Unit	Category W	Power
AL105NXDC024[x]/C-F	W-2.4-4.8	7W
	V=55.3m <sup>3</sup>	
AL105NXDC048[x]/C-F	W-2.5-5	11W
	V=62.5m <sup>3</sup>	

CPR FILE DRAWING

No modification permitted without reference to "VdS"

Tel : +44 (0)2 8743 8880 Fax : +44 (0)20 8740 4200  
mail : sales@e2s.com web : www.e2s.com

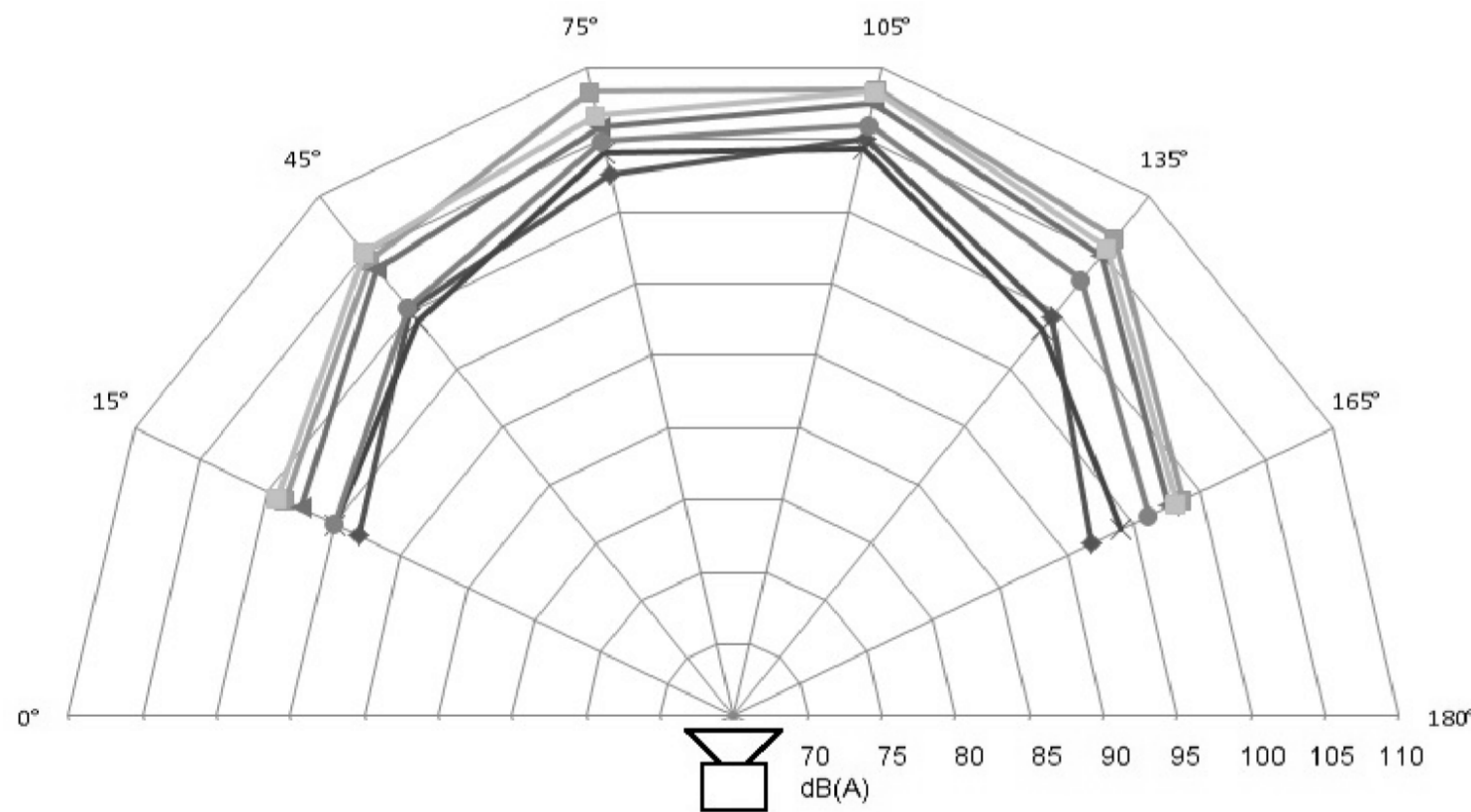


B

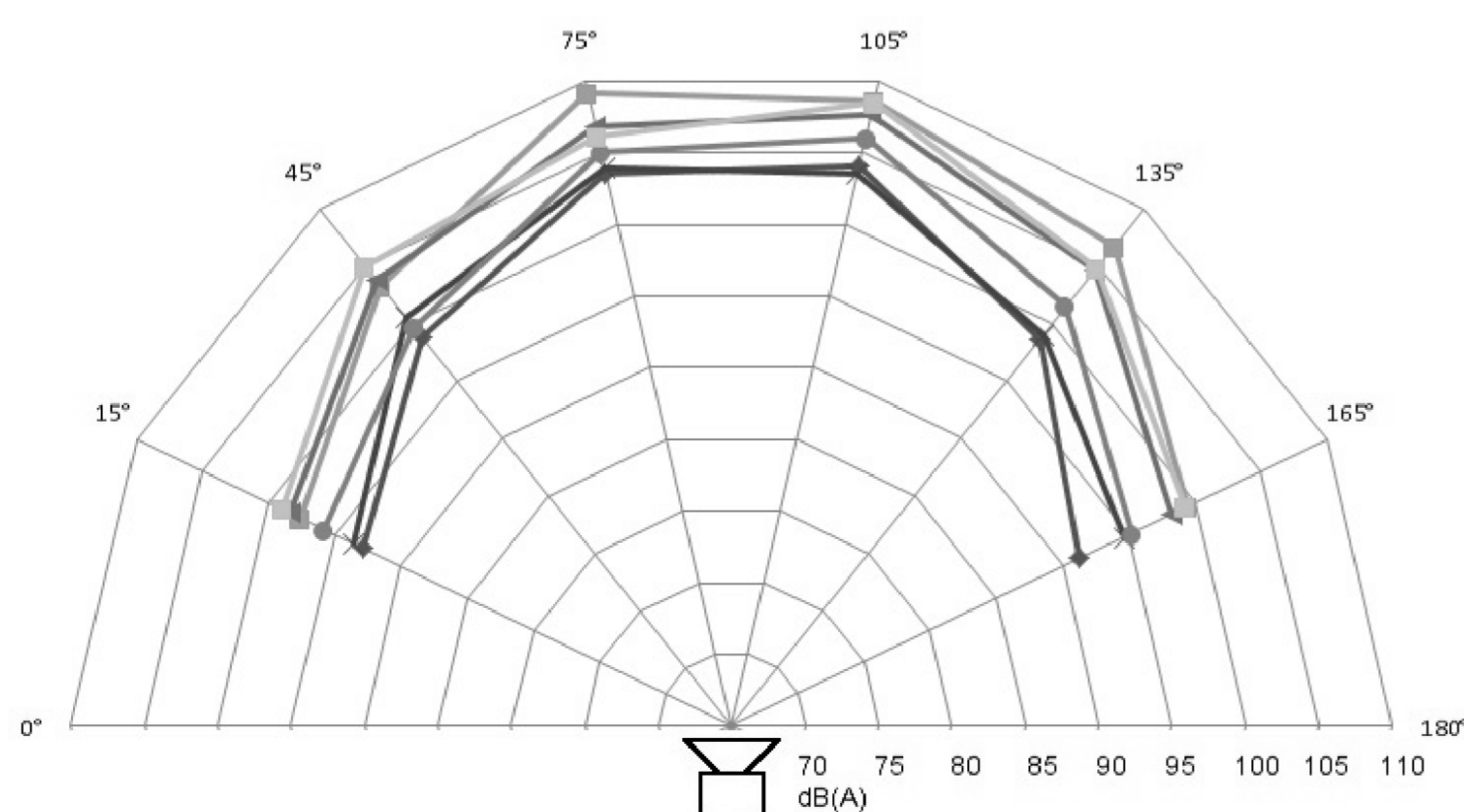
## AL105NXDC024 SOUND PRESSURE LEVEL OUTPUT

(TESTING AT MINIMUM VOLTAGE OF 18V DC.  
ALL READINGS ARE IN dB(A) @ 1m)

AL105NXDC024 HORIZONTAL POLAR PLOT



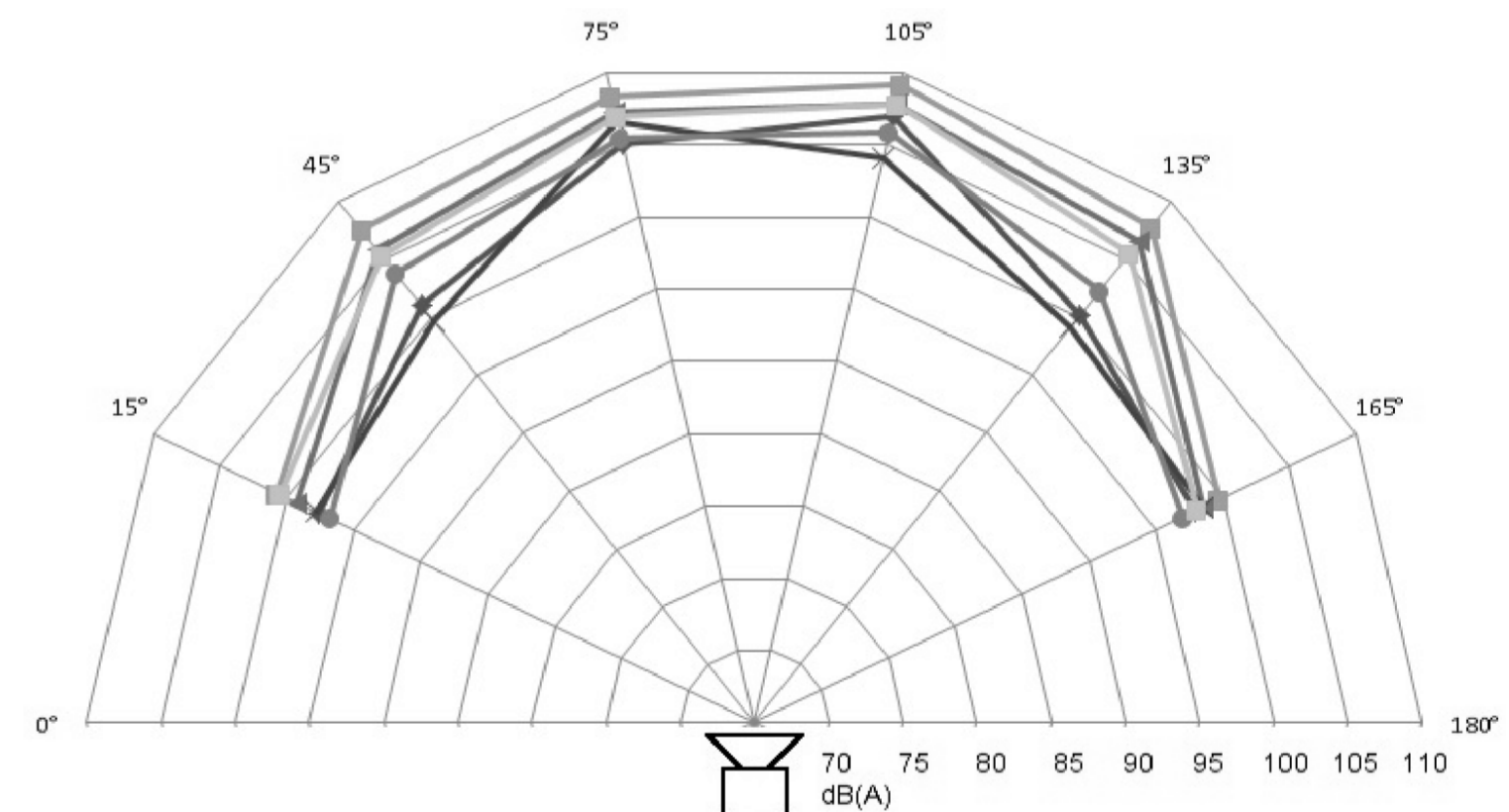
AL105NXDC024 VERTICAL POLAR PLOT



## AL105NXDC048 SOUND PRESSURE LEVEL OUTPUT

(TESTING AT MINIMUM VOLTAGE OF 35V DC.  
ALL READINGS ARE IN dB(A) @ 1m)

AL105NXDC048 HORIZONTAL POLAR PLOT



AL105N1XDC048 VERTICAL POLAR PLOT

