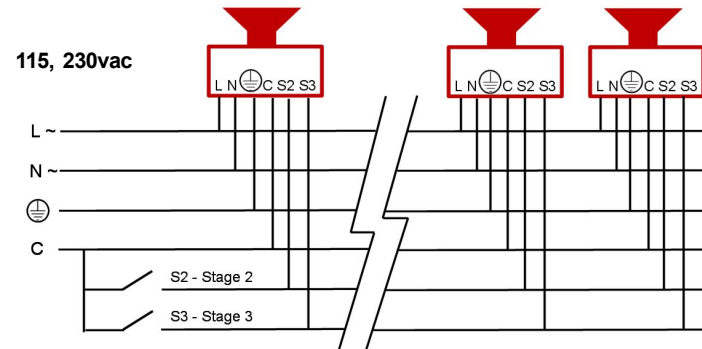
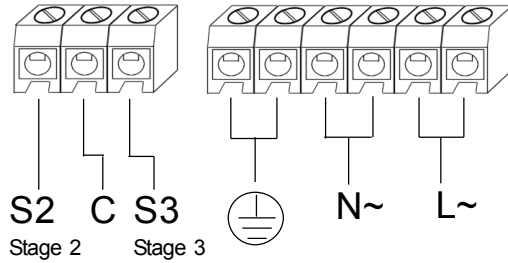
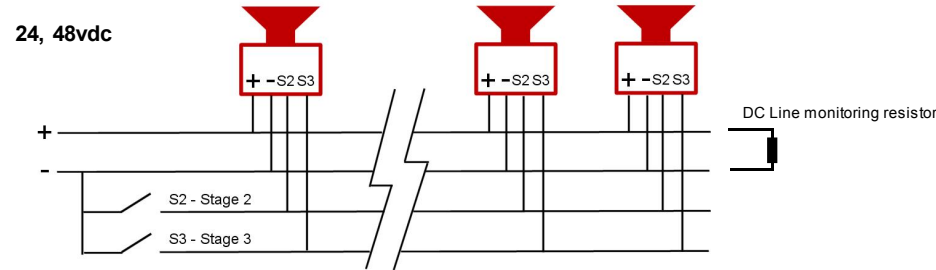
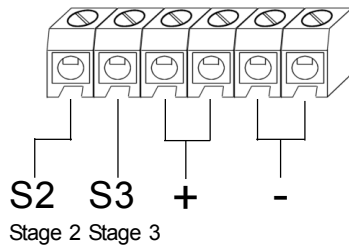
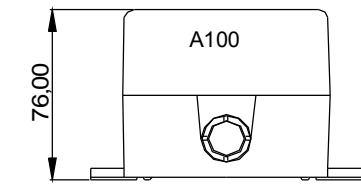
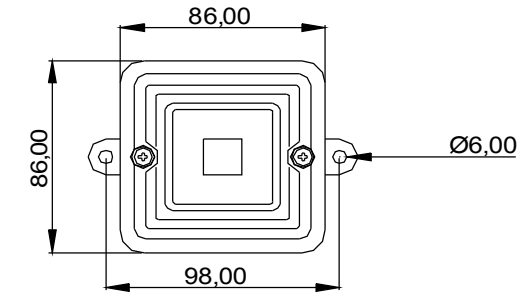
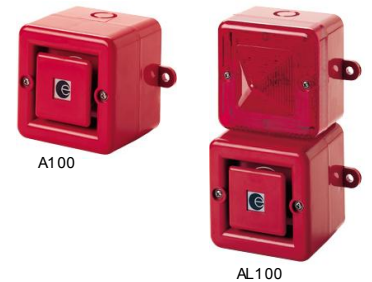


A100 - 32 Tone 'AlertAlarm'



INSTALLATION INSTRUCTIONS



Voltage :	24vdc	48vdc	115vac 50/60Hz	230vac 50/60Hz	24vac 50/60Hz
Voltage range :	10-30vdc	35-60vdc	+/-10%	+/-10%	+/-10%
Current mA :	25mA	50mA	20mA	15mA	40mA



- Volum Control
- Réglage du volume
- Steuerung der Lautstärke
- Controllo volume
- Control do Volume
- Control Volumen
- Volumen kontrol
- Volum eregeling
- Volum kontroll
- Volum kontroll



- Tone Selection
- Sélection de la tonalité
- Tonwahl
- Selezione tono
- Seleção de tons
- Selección Tono
- Valg af tone
- Toonselectie
- Velge tone
- Tonval

A100 24vdc(18-30vdc) & 48vdc (35-60vdc) units are CPD Compliant.

EN54-3 Type B IP55

Stage 1 **Frequency**
tone **Description**

Tone 2	800/1000Hz @ 0.25 sec Alternating
Tone 3	500/1200Hz @ 0.3Hz 0.5 sec Slow Whoop
Tone 9	1200/500Hz @ 1Hz - DIN / PFEER P.T.A.P.
Tone 15	800Hz Continuous
Tone 16	660Hz 150ms ON 150ms OFF
Tone 17	544Hz (100mS)/440Hz (400mS) - NF S 32-001

The tones listed have been tested to EN54-3 and are compliant with the Construction Product Directive 89/106/EEC.

EN54-3 test data:
document D0173

Stage 1	Frequency Description.	A100 dB@ 1m	Switch						Stage 2 (S2)	Stage 3 (S3)
			1	2	3	4	5	6		
Tone 1	340 Hz Continuous	93dB(A) @1m							Tone 2	Tone 5
Tone 2	800/1000Hz @ 0.25 sec Alternating	101dB(A) @1m	■						Tone 17	Tone 5
Tone 3	500/1200Hz @ 0.3Hz 0.5 sec Slow Whoop	101dB(A) @1m		■					Tone 2	Tone 5
Tone 4	800/1000Hz @ 1Hz Sweeping	101dB(A) @1m		■					Tone 6	Tone 5
Tone 5	2400Hz Continuous	103dB(A) @1m			■				Tone 3	Tone 20
Tone 6	2400/2900Hz @ 7Hz Sweeping	100dB(A) @1m		■					Tone 7	Tone 5
Tone 7	2400/2900Hz @ 1Hz Sweeping	101dB(A) @1m		■					Tone 10	Tone 5
Tone 8	500/1200/500Hz @ 0.3Hz Sweeping	100dB(A) @1m		■					Tone 2	Tone 5
Tone 9	1200/500Hz @ 1Hz - DIN / PFEER P.T.A.P.	101dB(A) @1m			■				Tone 15	Tone 2
Tone 10	2400/2900Hz @ 2Hz Alternating	104dB(A) @1m	■						Tone 7	Tone 5
Tone 11	1000Hz @ 1Hz Intermittent	101dB(A) @1m				■			Tone 2	Tone 5
Tone 12	800/1000Hz @ 0.875Hz Alternating	101dB(A) @1m	■						Tone 4	Tone 5
Tone 13	2400Hz @ 1Hz Intermittent	103dB(A) @1m				■			Tone 15	Tone 5
Tone 14	800Hz 0.25sec on, 1 sec off Intermittent	103dB(A) @1m				■			Tone 4	Tone 5
Tone 15	800Hz Continuous	103dB(A) @1m				■			Tone 2	Tone 5
Tone 16	660Hz 150mS on, 150mS off Intermittent	96dB(A) @1m				■			Tone 18	Tone 5
Tone 17	544Hz (100mS)/440Hz (400mS) - NF S 32-001	100dB(A) @1m					■		Tone 2	Tone 27
Tone 18	660Hz 1.8sec on, 1.8sec off Intermittent	96dB(A) @1m				■			Tone 2	Tone 5
Tone 19	1.4KHz-1.6KHz 1s, 1.6KHz-1.4KHz 0.5s -NFC48-265	98dB(A) @1m					■		Tone 2	Tone 5
Tone 20	660Hz Continuous	96dB(A) @1m				■			Tone 2	Tone 5
Tone 21	554Hz/440Hz @ 1Hz Alternating	100dB(A) @1m					■		Tone 2	Tone 5
Tone 22	544Hz @ 0.875 sec. Intermittent	100dB(A) @1m					■		Tone 2	Tone 5
Tone 23	800Hz @ 2Hz Intermittent	97dB(A) @1m					■		Tone 6	Tone 5
Tone 24	800/1000Hz @ 50Hz Sweeping	101dB(A) @1m					■		Tone 29	Tone 5
Tone 25	2400/2900Hz @ 50Hz Sweeping	101dB(A) @1m					■		Tone 29	Tone 5
Tone 26	Bell	97dB(A) @1m					■		Tone 2	Tone 15
Tone 27	554Hz Continuous	100dB(A) @1m					■		Tone 26	Tone 5
Tone 28	440Hz Continuous	97dB(A) @1m					■		Tone 2	Tone 5
Tone 29	800/1000Hz @ 7Hz Sweeping	101dB(A) @1m					■		Tone 7	Tone 5
Tone 30	300Hz Continuous	91dB(A) @1m					■		Tone 2	Tone 5
Tone 31	660/1200Hz @ 1Hz Sweeping	101dB(A) @1m					■		Tone 26	Tone 5
Tone 32	Two tone chime.	100dB(A) @1m					■		Tone 26	Tone 15

NOTE: Please check factory settings and ensure the correct alarm tone is selected for your country or application.

Pas op: bij ingebruikstelling dient u zich ervan te overtuigen dat de unit op de juiste toon is ingesteld.

Tone Selection / switch setting.

- Switch settings are shown in the tone table. Black squares are the switch levers in the ON position.
- Les réglages des commutateurs sont indiqués sur le tableau de tonalités. Les carrés noirs représentent les leviers des commutateurs en position MARCHE (ON).
- Die Schaltereinstellungen sind in der Tabelle der Töne angegeben. Die schwarzen Quadrate kennzeichnen die Ein-Positionen der Schalter.
- Le impostazioni degli interruttori sono mostrate nella tabella dei segnali acustici. I riquadri neri indicano le leve degli interruttori nella posizione ON.
- Los ajustes de interruptor se muestran en la tabla de tonos. Los cuadros negros representan las palancas de los interruptores en la posición ON.
- Os ajustes dos interruptores estão indicados na tabela de sons. Os quadrados pretos indicam que as alavancas dos interruptores estão na posição LIGADA.
- Kontaktilinstillingerne fremgår af toneskemaet. Et sortfelt betyder, at kontakten er aktiv ("ON").
- De schakelinstellingen staan vermeld in de toontabel. Zwarte vierkanten zijn de schakelaars in de stand AAN.
- Bryterinnstillingen er beskrevet i tonetabellen. De svarte firkantene indikerer bryterposisjonene i PÅ-posisjon.
- Brytarinnstillingarna visas i signaltabellen. De svarta fyrkanterna är brytarna i ON-läge.

ISN0101-B

No liability is accepted for any consequence of the use of this document. The technical specification of this unit is subject to change without notice due to our policy of continual product development. All dimensions are approximate. This unit is sold subject to our standard conditions of sale, a copy of which is available on request.

- Reverse polarity switching - On DC versions the second stage alarm tone can be selected by reversing the polarity of the supply voltage if switch 6 is in the ON position and link L1 is made
- Comutation de polarité inversée. - Dans le cas des appareils c.c., il est possible de sélectionner la tonalité d'alarme de deuxième étage en inversant la tension d'alimentation si la paire de broches L1 de la carte de circuits imprimés est reliée par un cavalier.
- Schalten durch Polaritätsumkehrung - Bei Gleichspannungsführungen kann der Alarmton der zweiten Stufe durch Umpolung der Versorgungsspannung gewählt werden, wenn das Stiftpaar L1 auf der Leiterplatte verbunden ist.
- Comutazione polarità inversa: sulle unità in CC, il segnale acustico di allarme di secondo livello può essere selezionato invertendo la tensione di alimentazione se il connettore con piedini L1 del circuito è collegato.
- Comutación de polaridad inversa: en unidades de CC el tono de alarma de la segunda fase puede seleccionarse invirtiendo la tensión de alimentación si el par de pines L1 de la PCB está conectado.
- Comutação de polaridade inversa. - Nas unidades de cc, é possível seleccionar o som de alarme da segunda fase invertendo a tensão de alimentação se o suporte de pinos L1 no circuito impresso estiver ligado.
- Invertering af polaritet. - På jævnstrømsenheder kan alarmtonen for anden fase vælges, ved at man vender spændingen, hvis L1 på printkortet er aktiveret.
- Omgekeerde polariteitsschakeling – op DC-apparaten kan de tweede fase alarmtoon geselecteerd worden door de toevolerspanning om te keren wanneer de twee PCB-pennen L1 op de PCB doorverbonden zijn.
- Reversert polaritet. På DC utgaver velges andre trinn alarmtone ved å snu tilførselsspenningen hvis hovedpinne L1 på kretskortet er linket.
- Polaritetsändring. – På DC-enheter kan en andrasteagssignal väljas genom att vända riktning på strömmen om stiftsockeln L1 på kretskortet är överbygglad.

DC Line monitoring

- Remove link L1 for line monitoring (DC).
- Couper L1 en cas de contrôle des lignes d'alimentation (c.c.).
- L1 zur Überwachung der Spannungsversorgungsleitungen (Gleichspannung) durchtrennen.
- Interrompere L1 in caso di monitoraggio delle linee dell'alimentatore (CC).
- Corte L1 si está monitorizando de las líneas de alimentación eléctrica (CC).
- No caso de monitorização das linhas da alimentação eléctrica (cc), corte L1.
- Afbryd L1, hvis strømforsyningslinjerne overvåges (jævnstrøm).
- Onderbreek L1 wanneer de voedingslijnen (DC) gecontroleerd worden.
- Ta ut L1 dersom strømlinjene overvåkes (DC).
- Bryt L1 vid kontroll av strömkablarna (DC).



**>100dB(A)@1m.
104dB(A) Max.**



ATTENTION

- Disconnect from power source to prevent electrical shock before installing and servicing
- Couper l'alimentation pour empêcher tout choc électrique avant d'effectuer des travaux d'installation et d'entretien.
- Vor der Installation und Wartung von der Spannungsquelle abnehmen, um elektrische Schläge zu vermeiden.
- Prima dell'installazione e della manutenzione spegnere l'alimentazione elettrica per evitare scosse elettriche.
- Desconecte la alimentación para evitar descargas eléctricas antes de la instalación y mantenimiento
- Antes de instalar ou de fazer a manutenção desligue sempre da alimentação eléctrica para evitar choques eléctricos.
- Strømmen skal afbrydes ved installering og eftersyn for at undgå elektrisk stød.
- Los koppel van de elektrische voeding om elektrische schok vóór installatie en onderhoud te voorkomen.
- Før monterig eller vedlikehold, må spenningen koples fra for å unngå strømstøt.
- Bryt strømmen innan installation och underhåll för att förhindra elektriska stötar.

1

L101H ALERTALIGHT

High Powered LED Array Beacon
 24 x High Powered LEDs
 Two modes : Steady , Flashing 2 Hz
 IP Rating: IP66
 Temp: -25°C to +50°C
 Unit weight: 200g
 CE

Order code Voltage
 L101HDC024[z][x]/[y] 10-30 VDC
 LED Colour Red, Amber

L101HDC024[z][x]/[y] 12-30VDC
 LED Colour Blue, White, Green

L101HAC230[z][x]/[y] 90-260 VAC
 43-60 VDC

Dimensions : 86.0 x 86.0mm
 1.5mm² terminals
 Cable entry: M20 cable entry (IP66)
 Dependant on Back Box selected

[z] = Back Box Type
 B = L101 type M = Multi-purpose type
 A = A100 type S = Sonora type

[y] = LED colour
 R = Red A = Amber
 B = Blue W = White
 G = Green

[x] = Housing colour
 G = Grey R = Red W = White

Tel : +44 (0)2 8743 8880 Fax : +44 (0)20 8740 4200
 mail : sales@e2s.com web : www.e2s.com



3

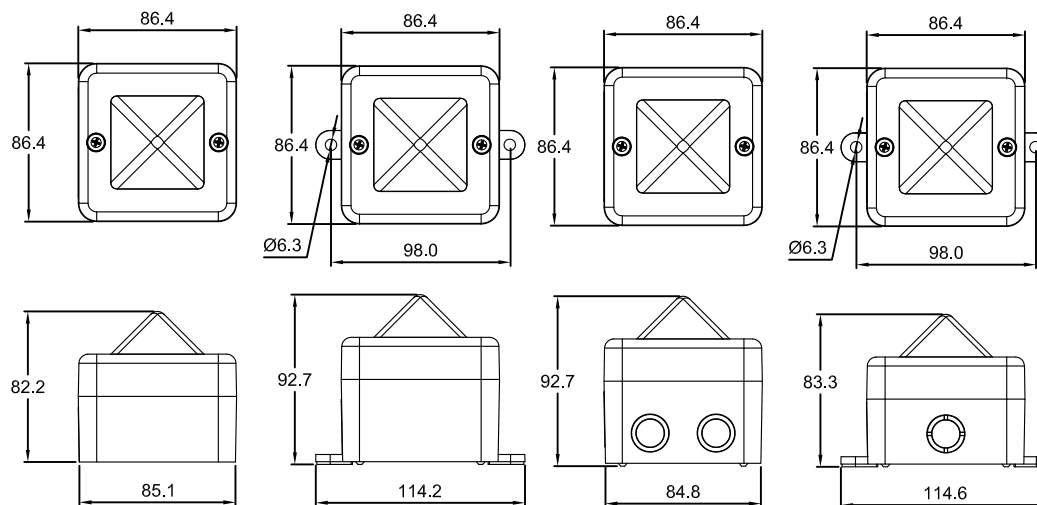
Back Box Type

L101

Multi-purpose

Sonora

A100



2



ATTENTION: Installation must be carried out by an electrician in compliance with the latest codes and regulations.



ATTENTION: Disconnect from power source before installation or service to prevent electric shock.

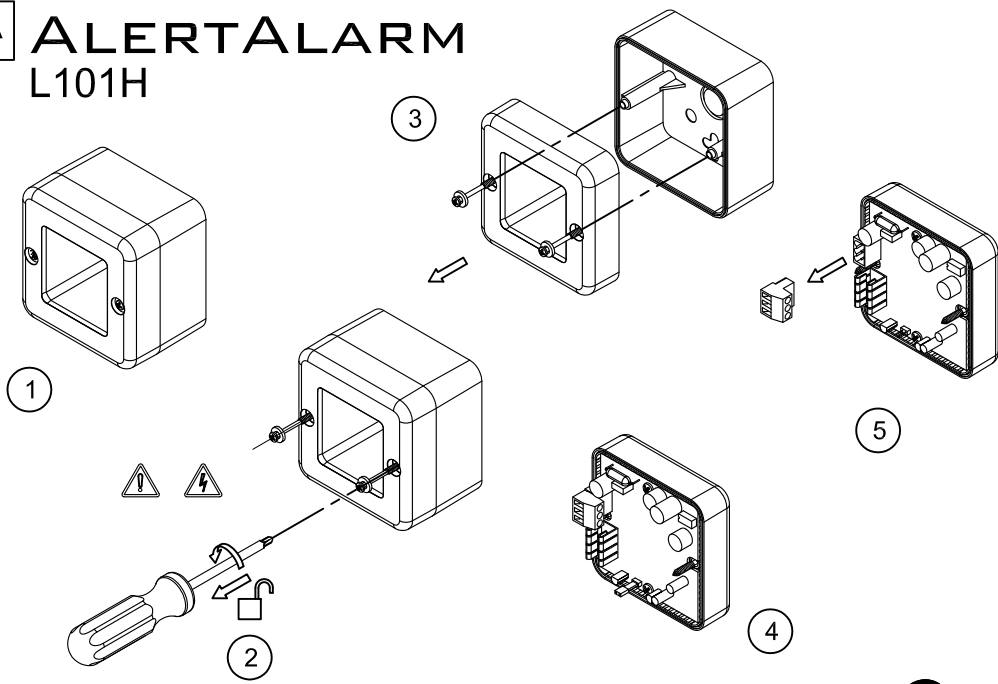


ATTENTION: Lens on unit will be hot allow to cool prior to removal.



D169-00-001-IS_SHT1_ISSUE_D

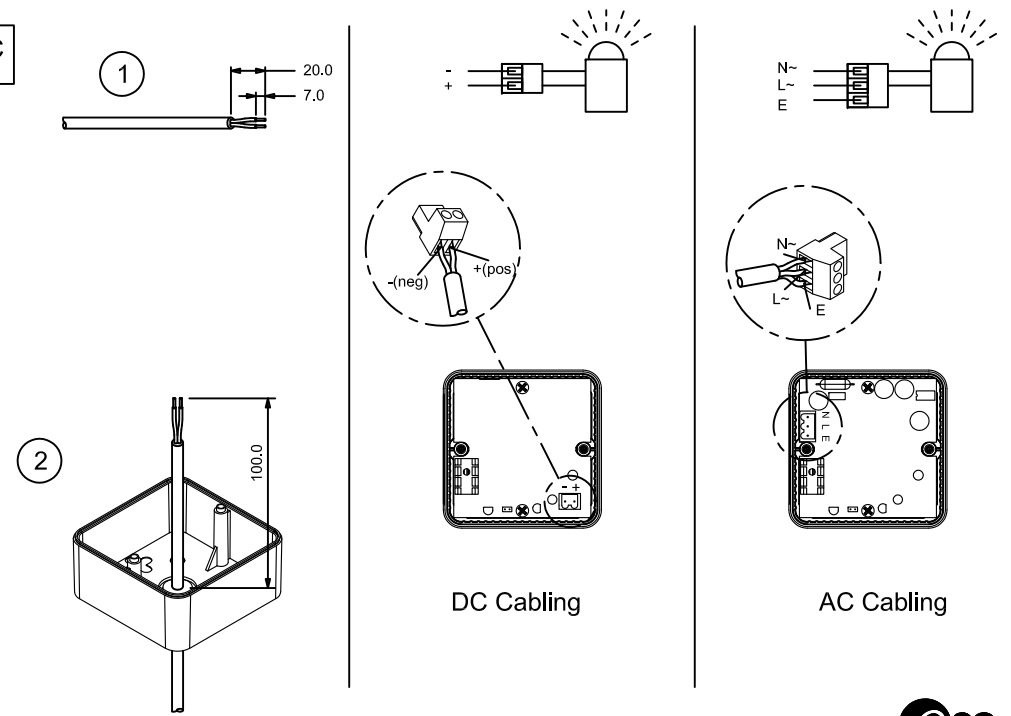
A ALERTALARM L101H



Tel : +44 (0)20 8743 8880 Fax : +44 (0)20 8740 4200
 mail : sales@e2s.com web : www.e2s.com



C

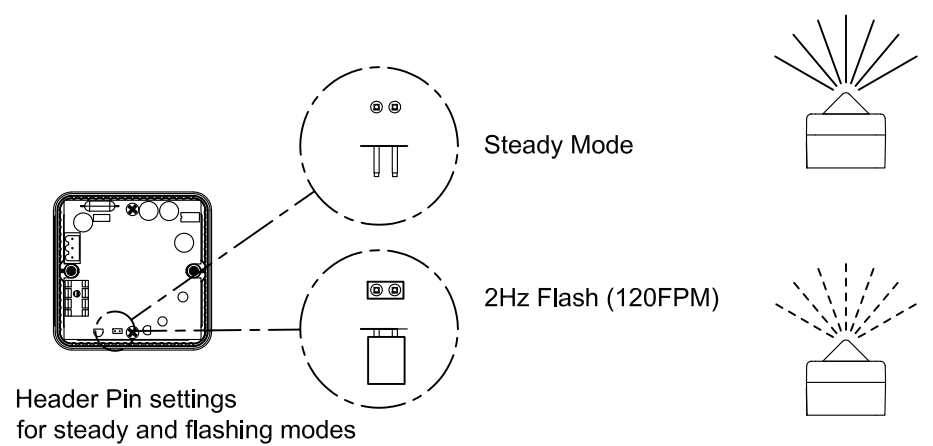


DC Cabling

AC Cabling



B



Header Pin settings for steady and flashing modes



D

