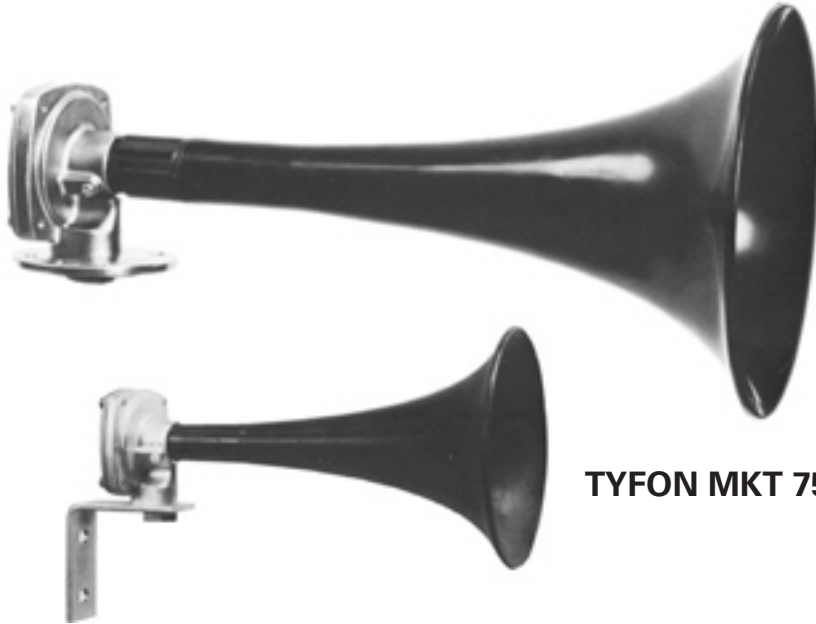


TYFON[®] Types MKT 75/370, 390, 440, 460, 660, 800 with High Acoustic Power for Civil Defence Alarm etc.


TYFON MKT 75/370
TYFON MKT 75/440

General Information

An alarming sound must have the right characteristic tone with a good contact of penetrating harmonic components. But for high power signalling, it is also important that the risk of hearing damage is kept low in case a person should come too close to the sound source. In other words, it is a question of a balanced tone spectrum and that is one of our secrets with the TYFON sound.

Choice of Tone Pitch

As a choice for general purpose alarm signals, the type MKT 75/440 can be recommended for most kinds of noisy environment. The two dominating tone components are 440 Hz and 880 Hz. The latter so called second harmonic being just as strong as the basic 440 Hz, is a guarantee for an excellent penetration.

The 370 Hz alternative has been used for decades for air-raid warning and is also extensively used for other types of long range public alarm (radiation, important radio message etc.). As an alternative to 390 Hz, 440 Hz, 460 Hz and 660 Hz are recommended for special industrial environments with intense noise of machinery or similar. The small type MKT 75/660 is also very good when combined with MKT 75/440 in order to give increased distinction and detectability. The sound emitter with the highest pitch in this family is the MKT 75/800.

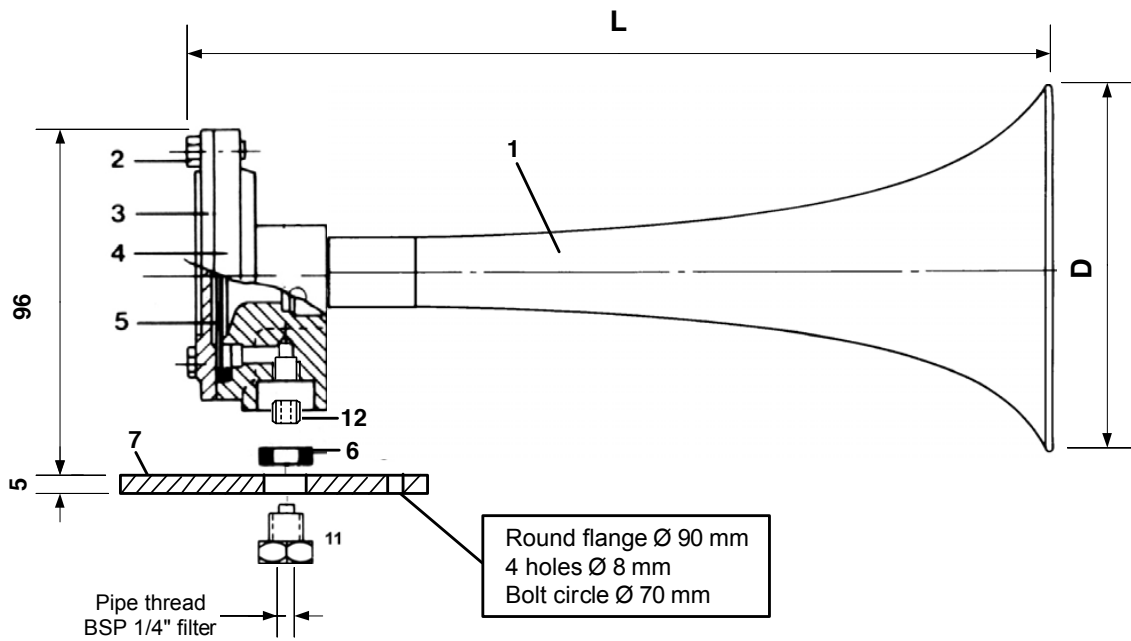
Outdoors signalling

The efficient range of outdoors signalling is strongly dependent on the mounting site, preferably free and elevated. In a normal topography with lower buildings inefficient range 700 m for 70 dBA sound level can be calculated in the horn direction, and prevailing, one must calculate with considerably shorter ranges. At the same time, the signal for good perception may be raised 70 dBA, depending on the actual find of noise.

Technical data

Technical data		
Frequencies	370 Hz 390 Hz 440 Hz	460 Hz 660 Hz 800 Hz
Sound Pressure Level		
1 m	143 dB	141 dB
30 m	113 dB	111 dB
Air consumption (free air)	8–10 l/s	8–10 l/s
Working pressure during signal	0,4–0,45 MPa	0,3–0,35 MPa
Weight	1,75 kg	1,6 kg

Dimensions and parts: TYFON® MKT 75/-



Easy to install

The sound emitter is made for a working pressure of 0,3–0,45 MPa directly at the inlet to the diaphragm housing.

Important

To attain a working pressure suitable for TYFON MKT 75/- a choke plug is mounted into the TYFON (part 12). Therefore, state in your order the approximate prevailing pipeline pressure.

Note:

- A filter must be fitted at the inlet of the operating valve for separation of dirt particles.
- It is important that the pipe line is blown clean before connecting to the sound emitter.
- A little oil or moisture in the air is harmless for the function. Water pockets and sharp bends, however must be avoided.

* See our separate leaflets for OPERATING VALVE type TV 88/89.

Dimensions		
TYFON type	L	D
MKT 75/370	390 mm	Ø 200 mm
MKT 75/390	390 mm	Ø 200 mm
MKT 75/440	335 mm	Ø 180 mm
MKT 75/460	295 mm	Ø 140 mm
MKT 75/660	200 mm	Ø 140 mm
MKT 75/800	135 mm	Ø 125 mm

Part numbers			
No	Name	Material	Ref. no
1	Horn 370 Hz	Thermoplastic	32170868
	Horn 390 Hz	Thermoplastic	32170869
	Horn 440 Hz	Thermoplastic	32170885
	Horn 460 Hz	Thermoplastic	32170870
	Horn 660 Hz	Thermoplastic	32170874
	Horn 800 Hz	Thermoplastic	32171259
2	Screw	Stainless steel	32570288
3	Cover	Brass	21754005
4	Housing	Brass	21754008
5	Diaphragm compl.	Titan/ nitrile	21758003
6	Packing	Rubber	37690947
7	Round flange	Galv. steel	32170429
8	Bracket	Galv. steel	32170985
11	Nut	Brass	32170505
12	Choke plug	Stainless steel	State working pressure

Parts can be obtained from Kockum Sonics or their agents. When ordering, please, state reference number and part name.

