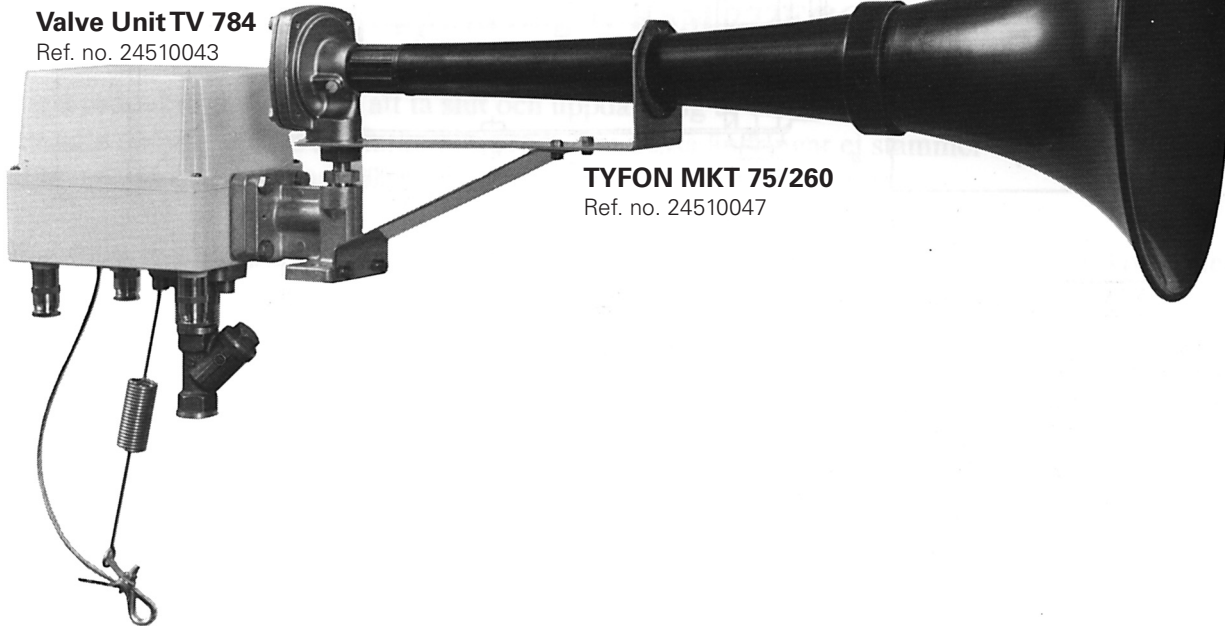


# TYFON<sup>®</sup> MKT 75/260 with Valve Unit TV 784

A high-power whistle according to IMO  
for vessels up to 75 meters in length



**Valve Unit TV 784**  
Ref. no. 24510043

**TYFON MKT 75/260**  
Ref. no. 24510047

## General Information

**TYFON** series MK 75/- of all sizes have always had an efficient sound spectrum fulfilling the highest demands — on vessels as well as in a great many civil defence and disaster alarm stations on land. Their popularity can be summarized in practical terms:

- a sound spectrum which gives excellent signal quality for detection — by several strong penetrating components,
- a sound generated in a simple classical way giving full strength also under hard and varying environmental conditions.

## Positioning Whistles

IMO describes the importance of appropriately positioned whistles. The best solution from all aspects is a combined system with a frequency difference of at least 10 Hz, but preferably more. Good combinations can be chosen with our variants in the MKT 75/- series, e.g. 260 and 440 Hz, 350 and 440 Hz.

For the prescribed all-round sound radiation, funnel or front wall mounting are generally not acceptable when only one whistle is used.

## Valve Unit

The **VALVE UNIT TV 784** has a good air flow section, thermostatic heating, exchangeable choke flanges and filters. The apparatus is fitted with two coils for normal and emergency operation and lanyard as standard (see separate leaflet KSM 264).

## Signal Control Facilities

Signal Controllers of various types are available for this sound emitter, see separate leaflets.

## Technical Data

Frequency (basic): 260 Hz

Sound Pressure Level (1m):

Total: 143 dB  
1/3 octave IMO limit: 130 dB

Air consumption: 7–10 l/s

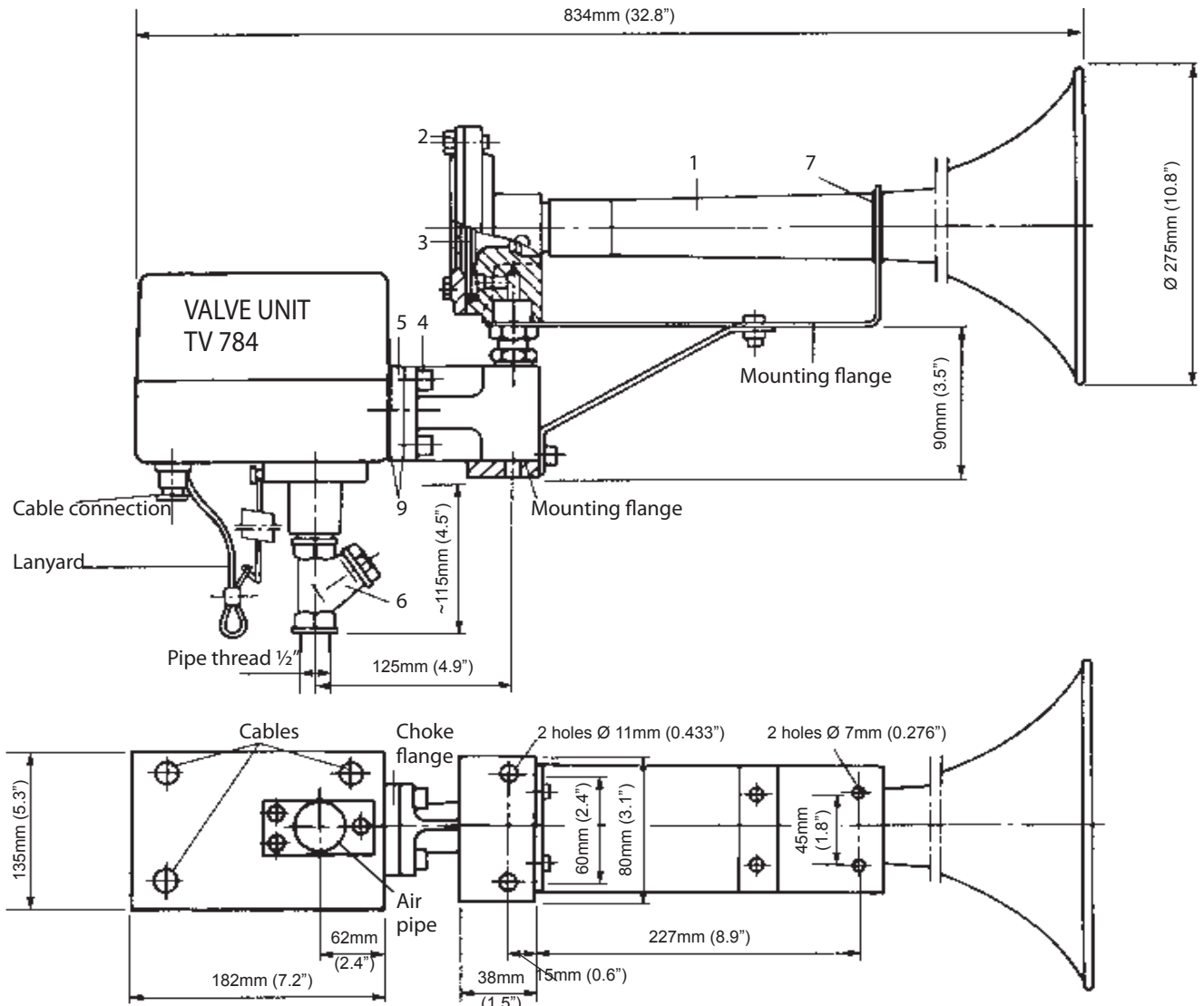
Air supply pressure with choke regulation:  
0,6—3 MPa (6—30 bar)

Electric power:  
Thermostat heating: 24 W  
Valve: 8–15 W

Weight: 7 kg (15.4 lbs)

For wiring diagram: see Valve Unit TV 784, KSM 264.

# MKT 75/260: Spare Parts and Dimensions



**View from beneath**

## Installation

WHISTLE MKT 75/260 is to be fixed with two M10 bolts and two M6 bolts to an outrigger or similar construction.

For the air supply, copper piping 10/8 mm (0.4/0.3") is recommended to be used. It must be noted that long pipe lines and low pressures require wider piping.

If the pipe line is longer than 100m (328'), a primary FILTER TP 15/2 should be installed at the foot of the mast to protect the signal apparatus from water condensate and rust particles. This air filter is recommended to be drained regularly, approximately once a month.

To avoid functional trouble, blow the supply pipe thoroughly clean before connecting to the signalling whistle.

## Air Pressure Choking

The basic condition for good performance and reliable function is the appropriate air pressure activating the diaphragm. When ordering, please state the working pressure. If the connection pipe is dimensioned in accordance with the recommendations (see table), the pressure gauge reading at the air receiver in the engine room is adequate for choice of choke.

## Part Numbers MKT 75/260

No.	Name	Material	Ref. no.
1	Horn MKT 75/260	Thermoplastic	39880562
2	Screw K6S 6 x 16	Stainl. steel	32620247
3	Diaphragm KM 75	Titan/Nitrile rubber	21758003
4	Screw M6S 8 x 25	Stainl. steel	20801123
5	Choke flange (state pressure)	Brass	21768201
6	Filter	Brass	32170418
7	Bushing	Rubber	32170256
9	Packing	Nitrile rubber	21765037

Parts can be obtained from Kockum Sonics or their agents. When ordering, please, give working pressure, reference number and part name.

Spare parts for valve unit, see Valve Unit TV 784, KSM 264.

Subject to alteration without notice.