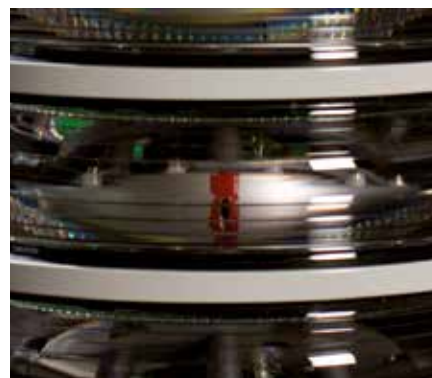


LED 350EX

High intensity LED lantern for offshore installations

LED 350EX is a high performance omni-directional LED beacon. The lantern is maintenance free, compact and robust in design. The lantern can be supplied with up to three tiers. A 1-tier LED 350EX has a range of 10 NM.

- With 3 tiers range up to 13 NM at Tc = 0,74
19 NM at Tc = 0,85
- ATEX category Zone 1 and Zone 2
- Standard IALA colours Red, Green, White, Yellow
- Rugged aluminium housing
- Extremely low power consumption, suitable for solar and battery operation
- Integrated flasher with a day light switch and an 8 ampere solar panel charger
- Field adjustable intensity and range
- Programming with Sabik Mk2E portable programmer
- Cable synchronization between light units



Bird spikes
Stainless steel bird deterrents as standard. Easy to replace. Offers great protection against large birds like cormorants. Spike design to prevent injury to service technicians.



Level indicator
The lantern can easily be levelled in field using the integrated bubble level indicator



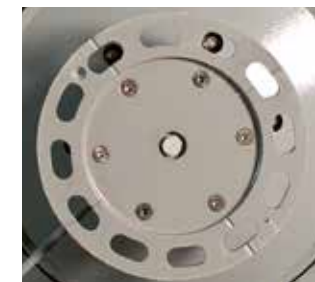
Grounding plug
The base plate has a grounding plug as standard to enable good protection for electromagnetic interference.



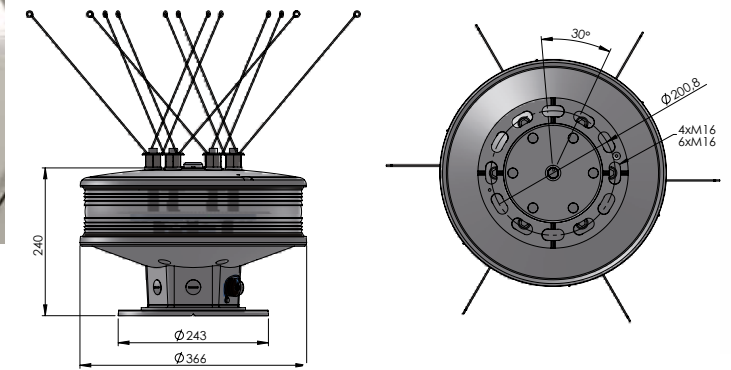
Additional cable entry
Equipped as standard with two cable entries. If the second entry is needed e.g. for cable sync or for a solar module a standard M20 cable gland can be fitted.



Programmer
Sabik Mk2E user friendly portable programming unit



Installation
The bottom plate of the LED 350 supports installation on structure using 3 x M12 bolts or 4 x M12 bolts on a 200 mm radius. The mounting holes are galvanic isolated with plastic isolators. PTFE breathing vent for pressure release.



Main Technical Specification

Lens visual/Mechanical diameter	350 mm
Lens material	UV stabilized Polycarbonate
Light source	Light Emitting Diodes (LEDs)
Vertical divergence	1.5° @ 50 % (±0.3°) and 3° @ 10% (±0.5°) of peak intensity
Unit lifetime	Up to 10 years
Weight	8 kg for single tier unit, add 2 kg for each tier
Controller	Sabik LED flasher
Temperature range	-40°...+60°C
Degree of protection	IP 66
Supply Voltage	9 – 28 VDC
Power consumption	12 watts/tier
EX Zones	Zone 1 and Zone 2 indoor and outdoor
Ex approvals	Eex emb op is II T4
Certificates	VTT 06 ATEX 089X

Optical performance

Maximum fixed luminous intensity				
1-tier, 12 W	1.400 cd	1.400 cd	2.700 cd	1.500 cd
2-tiers, 24 W	2.800 cd	2.800 cd	5.400 cd	3.000 cd
3-tiers, 36 W	4.200 cd	4.200 cd	8.100 cd	4.500 cd

Product codes, 1 tier model

LED 350EX narrow lens	Colour
LED 350EX NW	white
LED 350EX NR	red
LED 350EX NG	green
LED 350EX NY	yellow