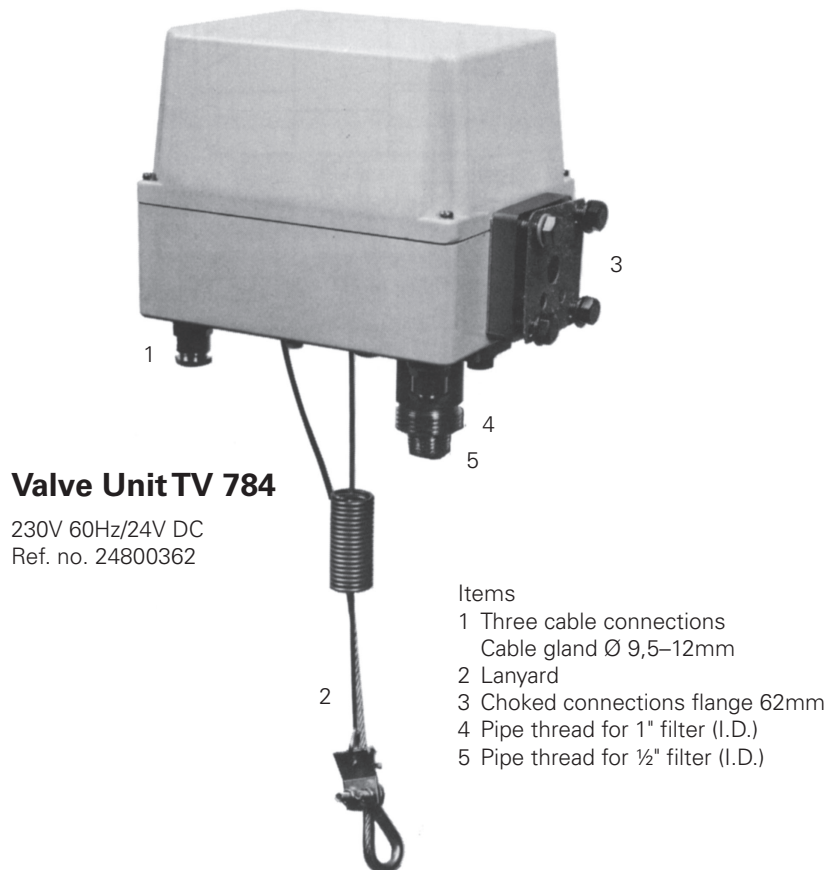


Valve Unit TV 784

For installation together with TYFON®
and SUPERTYFON® Whistles



Valve Unit TV 784

230V 60Hz/24V DC
Ref. no. 24800362

Items

- 1 Three cable connections
Cable gland Ø 9,5–12mm
- 2 Lanyard
- 3 Choked connections flange 62mm
- 4 Pipe thread for 1" filter (I.D.)
- 5 Pipe thread for ½" filter (I.D.)

General Information

One of the most important parts assembled to a whistle is the valve. The new Valve Unit TV 784 designed for this purpose provides the following:

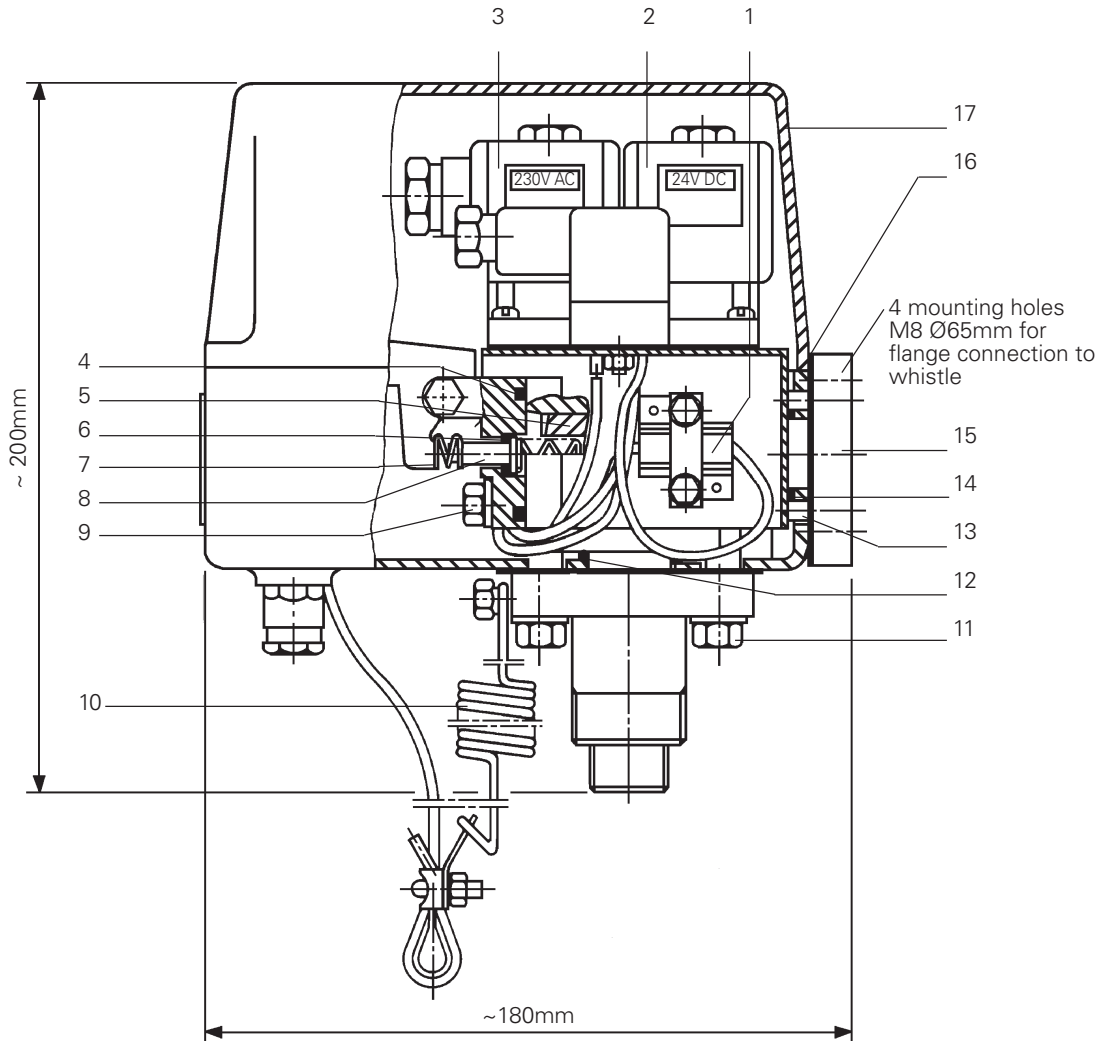
- Good air flow section with low electric power consumption.
- Electric heating provided by a 25W element with thermostat.
- Exchangeable flange choke for different pressures.
- Two solenoid coils for normal and emergency operation.
- Lanyard for stand-by operation.

Technical Data

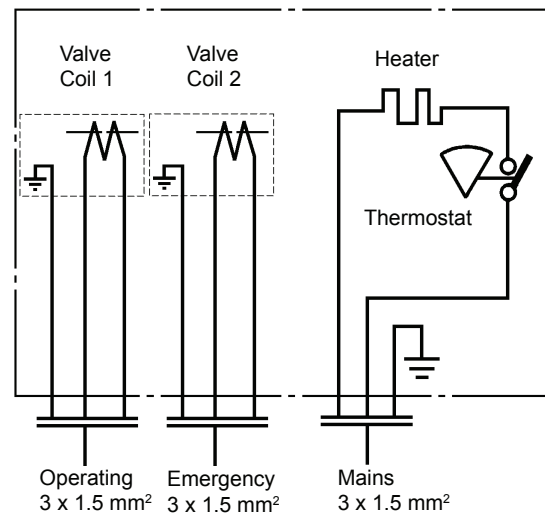
Mains operation: 230V AC, 50/60 Hz, 27W*
 Emergency operation: 24V DC 27W
 Heating: 230V AC 25W*
 Working pressure: 0,3 - 3,0 MPa*
 (different chokes)
 Air consumption: 8 - 100 l/s
 (for different whistle types)
 Dimensions: Box, 170 x 135 x 145 (L x D x H)
 Weight: 3,8 kg

*Other voltage and air pressure on request.
 Note: To avoid functional trouble, blow the pipe line thoroughly clean before connecting to valve.

Wiring Diagram, Spare Parts and Dimensions



Spare Parts			
No.	Name	Material	Ref. no.
1	Heating complete incl. element and thermostat		
*	230V AC 25W		24510041
	115V AC 25W		24510044
	24V DC 25W		24510045
2	Pilot valve compl. 24V DC		24510065
3	Pilot valve compl. 115V AC		
*	Pilot valve compl. 230V AC		24510064
*4	O-ring	Rubber	20862062
*5	Piston compl. incl. spring	Brass	39880149
6	O-ring	Rubber	37690006
7	Spring	Stainl. steel	20881000
8	Press pin	Brass	21768198
9	Screw MC6S 6 x 20	Stainl. steel	20801113
10	Spring	Stainl. steel	24510042
11	Screw M6S 8 x 25	Stainl. steel	32621156
12	O-ring	Rubber	20862060
13	Screw MC5S 6 x 20	Stainl. steel	32621163
14	O-ring	Rubber	37690018
15	Choke Flange**	Brass	21768201
16	Packing 62 x 62 x 1mm	Rubber comp.	21765037
17	Valve box for TV 784 compl.	Plastic	21768199



Wiring diagram

Spare parts can be obtained from Kockum Sonics or their agents. When ordering, please, give voltage and working pressure, reference number and part name.

*Spare parts recommended to be kept on board.

** When ordering, please state what working pressure and which type of whistle to be used.