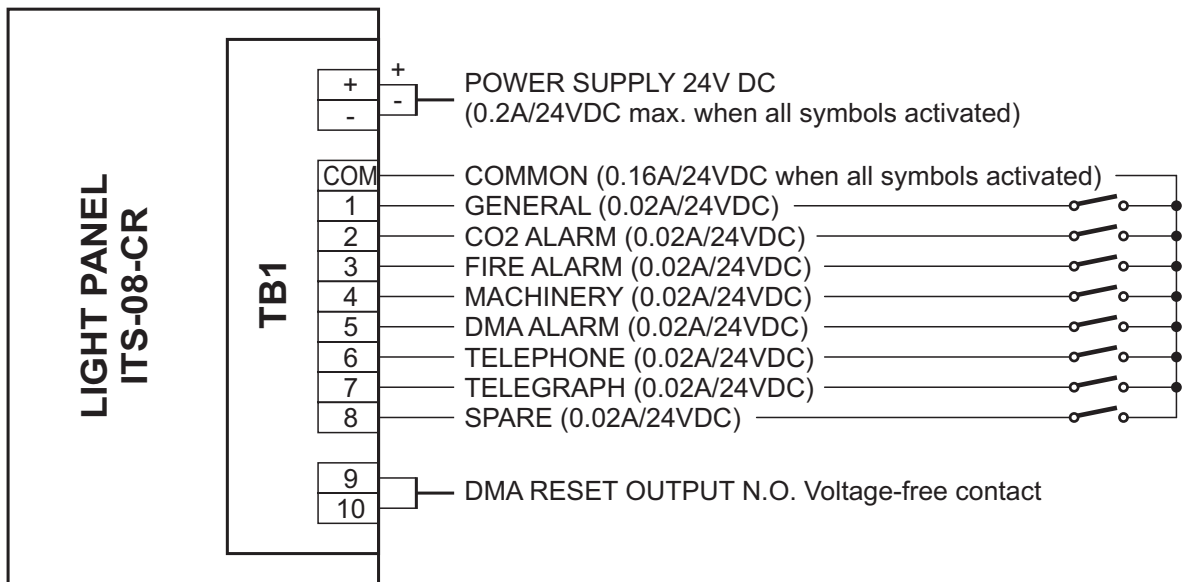


			Date	Name	Title: <b>LIGHT PANEL type ITS-08-CR</b> Front view and outlines
		Project.			
		Constr.	22.04.13.	Milinović	
		Check			
			<b>INELTEH</b> ENGINEERING FOR ELECTRONIC EQUIPMENT AND SYSTEMS		Identity:
Rev	Changes	Date/Sign			
					Page/of 1/2



			Date	Name	Title:  <b>LIGHT PANEL type ITS-08-CR</b>  Terminal block / current consumption
		Project.			
		Constr.	22.04.13.	Milinović	
		Check			
		<b>INELTEH</b>			Identity:
		<small>ENGINEERING FOR ELECTRONIC EQUIPMENT AND SYSTEMS</small>			
Rev	Changes	Date/Sign	File: ITS-08-CR, terminals, Marin Supply, I-12619.cdr		Page/of 2/2