

- Zone 1 and 2, Zone 21 and 22
- Signal tower KombiSIGN in flame-proof enclosure
- Available with up to 3 light elements
- Also available as LED version



i TECHNICAL SPECIFICATIONS:

Life duration up to 100,000 hrs

Dimensions (L x H x W):	154 mm x 431 mm x 201 mm
Housing:	Aluminium, glass
Connection:	Screw terminal max. 2.5 mm ² Contact protection according to VDE incl. approved pressure resistant cable gland NPT 3/4"
Explosion protection:	⊕ II 2G EEx d II C T6 ⊕ II 2D Ex IP66 85°C
Approval:	L.C.I.E. 97 EX 6012 Technical specifications of signal tower see 840 series (page 38).

🛒 ORDER SPECIFICATIONS:

Voltage	12-230 V Bulb	24 V ≈ LED
red / green	740 210 00	740 210 55
red / yellow / green	740 231 00	740 231 55

🏠 ACCESSORIES:

Bulb BA15d, 5 W, 24 V	955 840 35
Bulb BA15d, 5 W, 230 V	955 840 38

📐 TECHNICAL DIAGRAMS:

see page 280



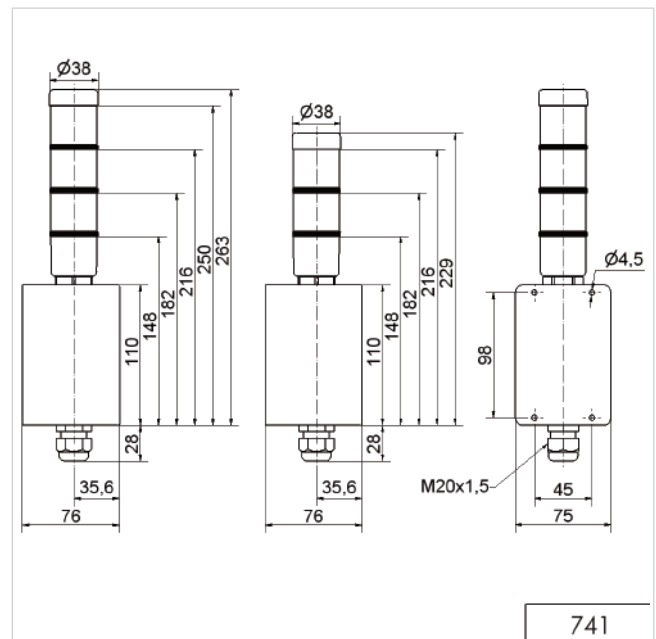
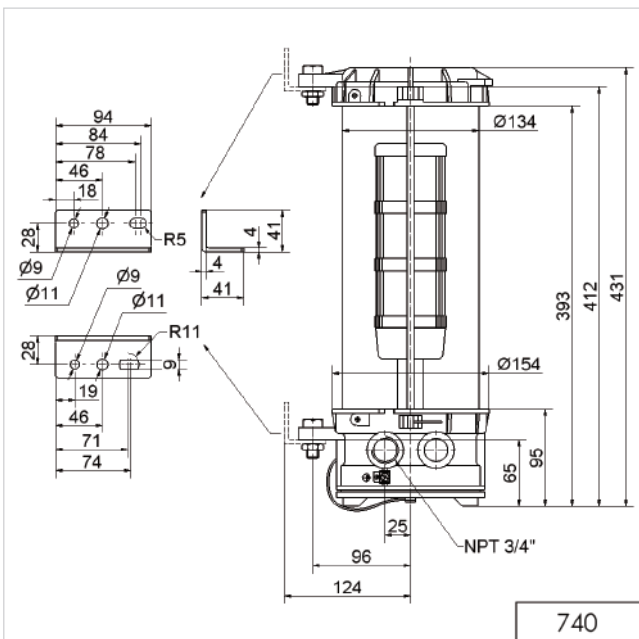
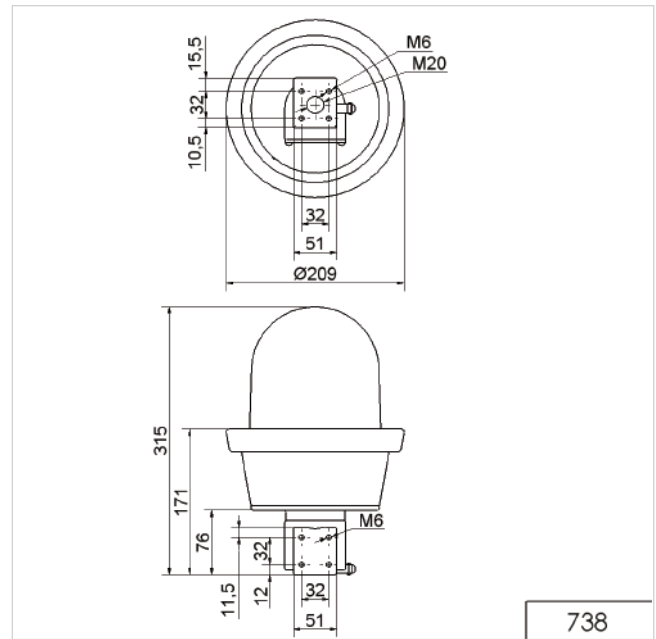
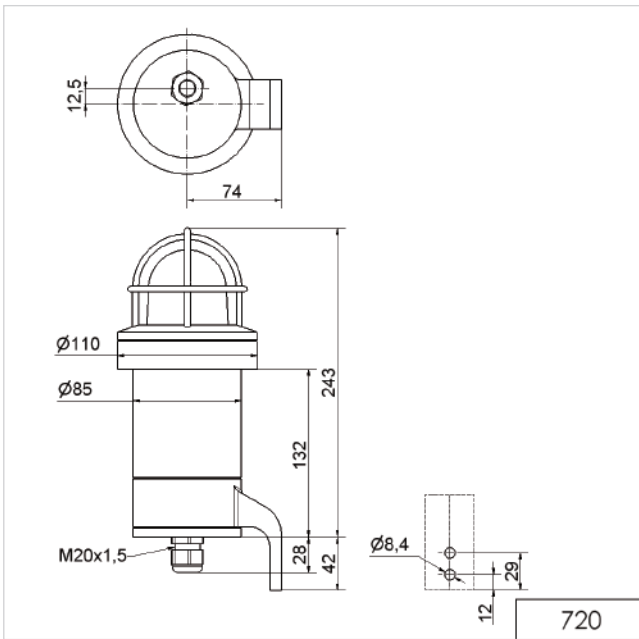
The Ex Signal Tower 740 in the perfume and aroma industry



CE **Ex**

2 G	2 D	6,3 kg	IP68	+40°C -20°C	24 V	PLC
Zone 1 + 2	Zone 21 + 22					

Technical Diagrams



Technical
Diagrams