

H100TF Trumpet Horn & Filament Lamp Beacon

Rated for continuous use the H100 series is a compact, high output signal suitable for a variety of installations. In addition to the 'buzzer' type sound the unit features a further two alarm sounds.

The H100TF incorporates the H100T with a 5W flashing filament lamp beacon. It is available in six lens colours and operating voltages from 12V dc to 230V ac.

Part codes:

Version:	Part code:
12V dc	H100TF012G/*
24V dc	H100TF024G/*
115V ac	H100TF115G/*
230V ac	H100TF230G/*

* = Lens colour:
 A: Amber
 B: Blue
 C: Clear
 G: Green
 R: Red
 Y: Yellow

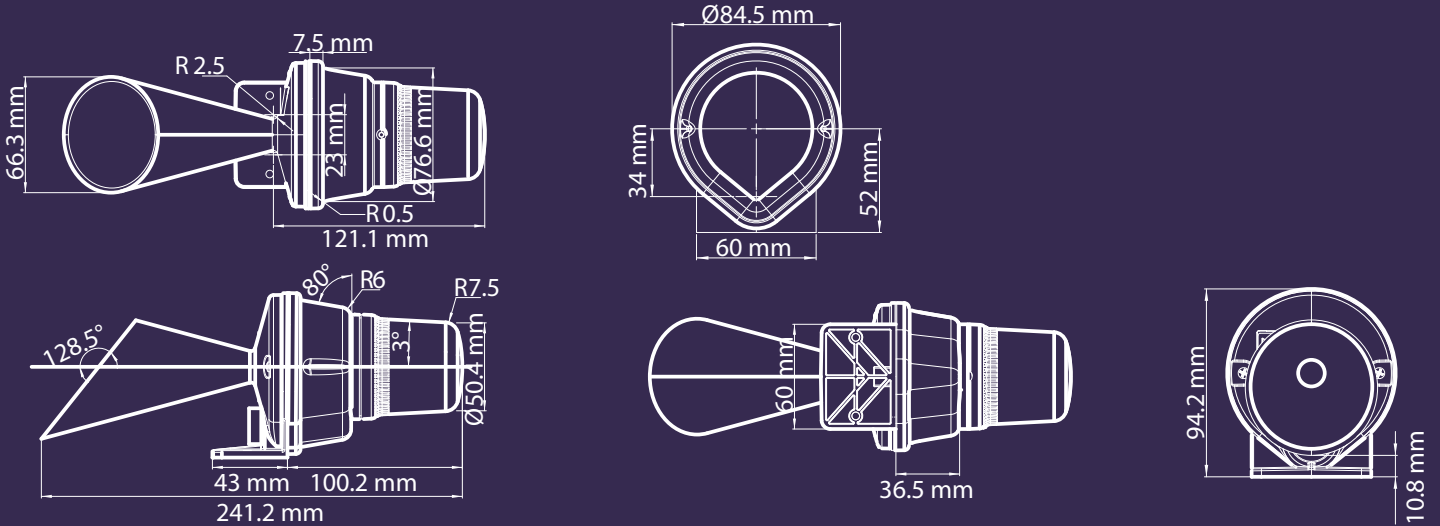
Spare bulb/lamp part codes:

Voltage:	Wattage:	Type:	Part code:
12V dc	5W	BA9s	BR10125B
24V dc	5W	BA9s	BR10245B
115V ac	5W	BA9s	BR101305B
230V ac	5W	BA9s	BR102305B

Features:

- Volume control.
- Stainless steel fixings.
- Bayonet fixing lens.
- Anti-tamper locking screw.





Specification:

Horn:	
No. of tones:	3
Output:	100 dB(A) @ 1m
Beacon:	
Light source:	Filament lamp BA9s
Light output:	5W
Flash frequency:	1Hz
Peak/Effective Intensity cd:	2 cd*
Lens colours:	Amber, Blue, Clear, Green, Red & Yellow
Lens type:	Prismatic (standard) or plain
General:	
Dimensions:	241.2 x 94.2mm
Mounting:	Surface mount
Entries:	1 x 5-7mm push through grommet
Ingress protection:	IP65
Housing material:	High impact ABS (UL94V0 & 5VA)
Lens material:	High impact PC (UL94V0 f1)
Terminals:	0.5 to 1.5mm ²
Operating temperature:	-25 to +50°C
Storage temperature:	-40 to +70°C
Relative humidity:	90% at 20°C.
Weight:	219g

Horn current consumption:

Version:	Voltage:	Current mA:
10-30V dc	12V dc	10mA
10-30V dc	24V dc	24mA
115V ac	115V ac 50/60Hz	19mA
230V ac	230V ac 50/60Hz	10mA

Beacon current consumption:

Version:	Current mA:
12V dc	500mA
24V dc	250mA
115V ac 50/60Hz	35mA
230V ac 50/60Hz	25mA

Tone table:

Tone:	Description:	SPL (dB(A) @ 1m):
1	Buzzer Sound	100 dB(A)
2	1200/500Hz @ 1Hz - DIN	100 dB(A)
3	800/1000Hz & 7Hz	100 dB(A)

*SPL data +/-3dB(A). Measured at optimum voltage.

*Candela measurements representative of performance with clear lens at optimum voltage.