

Ex radio command devices

// Series Ex RF 95

Features/options

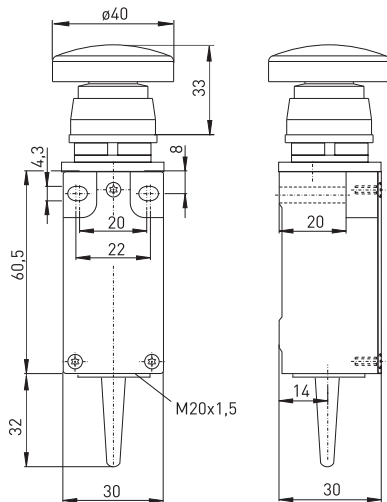
- Ex zone 1 and 2, as well as 21 and 22
- Thermoplastic enclosure
- Mountings to EN 50 047
- Output signal can be individually configured at the receiver
- Data rate 120 kbps
- No power supply, no wiring and pipe laying required
- Multi-network capable
- Easy programming of receiver

// EX RF 95 RS SW



Technical Data

Standards	EN 60947-5-1, EN 61000-6-2, EN 301 489-1, EN 301 489-3, EN 300 220-3; EN 60079-0, EN 60079-11, EN 61241-11
Enclosure	Glassfibre reinforced thermoplastic, self-extinguishing UL 94-V0
Cover	Glassfibre reinforced thermoplastic, self-extinguishing UL 94-V0
Degree of protection	IP 65 per EN 60529
Protocol	EnOcean
Ambient temperature Ta	- 20 °C ... + 60 °C
Switching frequency	approx. 6000 telegrams at repetitions/h
Voltage supply	Electrodynamic energy generator
Frequency	868.3 MHz
Transmission power	max. 10 mW
Data rate	120 kbps
Bandwidth channel	280 kHz
Sensing range	max. 300 m outside, max. 30 m inside
Actuating time	min. 80 ms
Mechanical life	> 1 million operations
Note	no presence signal available
Ex marking	Ⓜ II 2G Ex ib IIC T6 Gb, II 2D Ex ib IIIC T80°C Db IECEX Ex ib IIC T6 Gb, Ex ib IIIC T80°C Db
Approvals	BVS 08 ATEX E111; IECEX BVS 08.0048



Type code

Ex RF 95 RS SW EN868
868 MHz radio frequency
EnOcean standard
Actuator RS SW (different push-buttons available)
Series
Radio technology
Ex certified component

Ex radio command devices

// Series Ex RF 95, actuators

Features/options

- IP 67 for actuators with diaphragm
- Available with actuator made of stainless steel

Pushbutton RT

- Ex RF 95 RT EN868 order No. 95955303

Control switch RST

- RST with spring return
- Ex RF 95 RSTA 0<-I EN868 order No. 95957301

Key switch RSSA

- RSSA key switch with safety cylinder lock (locks against turning)
- Standard version always has same key number
- Ex RF 95 RSSA 14 EN868 order No. 95958301

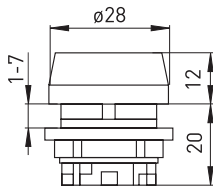
Selector switch RW

- Ex RF 95 RWA 0-I EN868 order No. 95957302

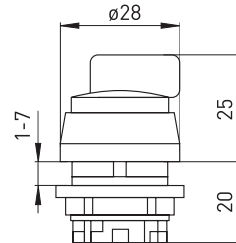
Pushbutton RS SW

- Ex RF 95 RS SW EN868 order No. 95955301

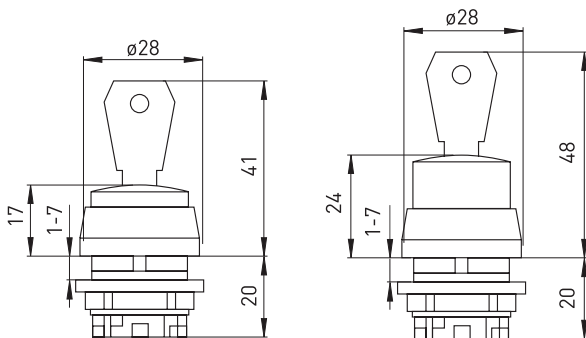
// Push-button RT



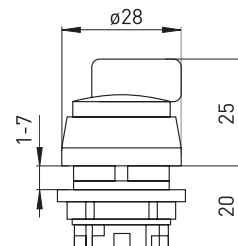
// Control switch RST



// Key switch RSSA



// Selector switch RW



// Push-button RS SW

