

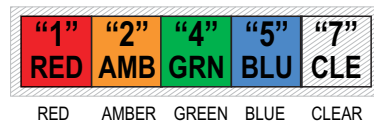
# Rotating Mirror Beacon type EHS



## Technical data :

Lamp source :	12V : 55 W halogen (H1) 24V : 70 W halogen (H1) 110V/220V: 40 W Ba-15d
Flash frequency :	180 r.p.m.
Ingress protection :	IP54
Duty cycle :	100%
Mains frequency :	50-60Hz (AC-units)
Temperature range. :	-10°C til + 50°C
Material :	Housing : Painted mild st. Lens : PC
Housing colour :	Grey
Weight :	1,1 Kg
Cable :	1 meter "flying lead"

## Lens colours: ".n"

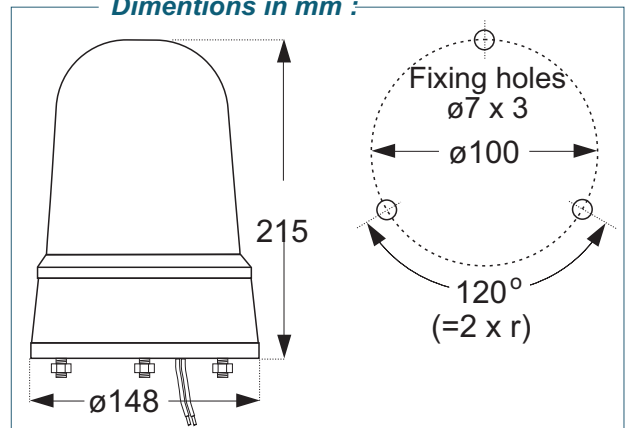


Rotating mirror beacon in painted mild steel housing, for less aggressive environments. Quite enduring with low noise friction-gear.

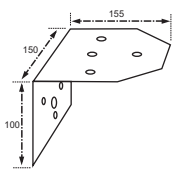
Not suited for outdoor use and/or temperatures below freezing point. Should be mounted preferably in upright position.

NB: Mounting in horizontal position will increase wear & tear on motor, ball bearings and gear, and may cause overheating and melt-down.

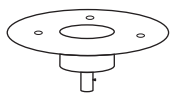
## Dimensions in mm :



Fixing brackets etc.  
(asessories) :



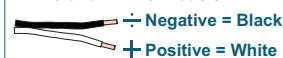
**EHS WFB**  
Wall fixing bracket  
with terminals  
og cable gland.



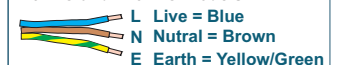
**EHS RB**  
Tube fixing flange for  
max. 30mm tubes,  
with terminals.

## Electrical connection :

12vDC and 24vDC models:



110vAC and 220vAC models:



## Ordering codes :

Art.no.	Rated voltage	Tolerance	Rated current
<b>EHS 230 .n</b>	<b>230 VAC</b>	<b>+/- 10%</b>	<b>200 mA</b>
<b>EHS 110 .n</b>	<b>115 VAC</b>	<b>+/- 10%</b>	<b>400 mA</b>
<b>EHS 024 .n</b>	<b>24 VDC</b>	<b>+/- 10%</b>	<b>3,0 A</b>
<b>EHS 012 .n</b>	<b>12 VDC</b>	<b>+/- 10%</b>	<b>4,3 A</b>

".n" ↔ Remember to specify lens colour when ordering!

Asessories :

<b>EHS WFB</b>	<b>Wall fixing bracket in painted mild steel</b>
<b>EHS RB</b>	<b>Tube fixing flange in painted mild steel</b>

