

BExCP3A/B-PB Push Button Call Point

The BExCP3A-PB and BExCP3B-PB push button manual call points are approved for Zone 1, 2, 21 and 22 hazardous areas for the control of fire and gas alarm systems. Available with and without monitoring resistors all versions are certified to ATEX and IECEx standards.

The push button mechanism is protected by a spring loaded cover therefore the switch requires a two-action activation. The product is user resettable by rotating the push button.

The BEx range features enclosures manufactured from corrosion proof, marine grade, copper free LM6 (A413) aluminium which is phosphated and powder coated.

Specification:

BExCP3A-PB:	II 2G Ex e d IIC T6 Gb II 2D Ex t IIIC T60°C Db IP66
BExCP3B-PB:	II 2G Ex e d mb IIC T4 Gb II 2D Ex t IIIC T70°C Db IP66
Ambient:	Ta = -40°C to +55°C (+50°C for BExCP3B)
Ingress protection:	IP66
Housing material:	Marine grade copper free LM6 Aluminium
Housing finish:	Phosphated & powder coated finish: anti-corrosion.
Colour:	RAL3000 Red (others available on request)
Cable entries:	2 x M20 clearance top and 1 x M20 clearance side. Back box can be rotated to give 2 x bottom and 1 x side entries.
Stopping plugs:	2 x Ex e nylon plugs as standard Brass and stainless steel plugs optional
Terminals:	6 x 4.0mm ² cables.

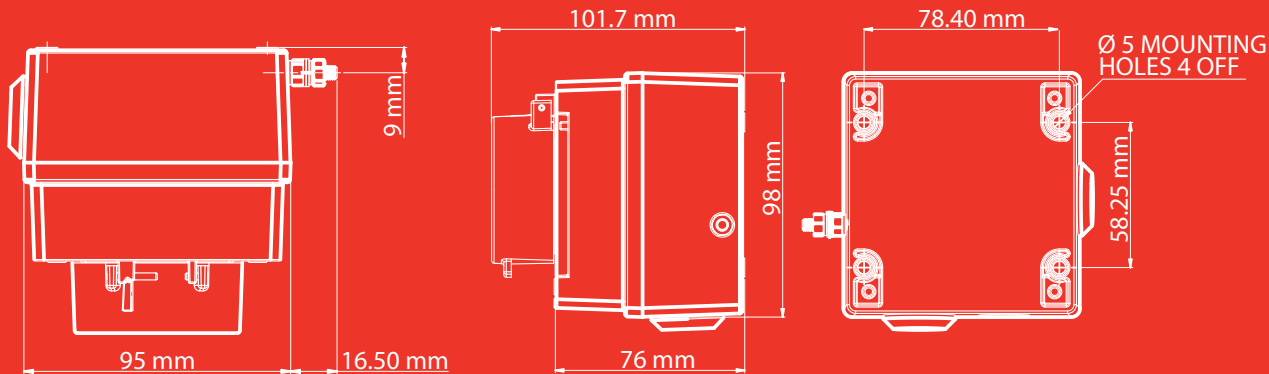
Options:

- Alternative housing colours are available to meet specific requirements.
- DIN rail mounted terminal blocks: 8 x 2.5mm²
- Metalised Polyester "Duty" label.
- Series and/or End of Line resistors.

Approvals:

- ATEX certificate: Sira 09ATEX3286X, IEC 60079-0:2007 Ed 5, EN 60079-1:2004, EN 60079-7:2007, IEC 60079-18:2009 Ed 3, EN 61241-1:2004
- IECEx certificate: IECEx SIR 09.0121X, IEC 60079-0:2007-10 Edition: 5, IEC 60079-1:2003 Edition: 5, IEC 60079-18:2009 Edition: 3, IEC 60079-7:2006-07 Edition: 4, IEC 61241-1:2004 Edition: 1
- Inmetro certificate: 10-IEEx-0011X





Versions:

Version:	Category:	Voltage:	Switch rating:	Monitoring Resistors:	Terminals:	Cable entries:	Weight:
BExCP3A-PB	II 2G Ex e d IIC T6 Gb II 2D Ex t IIIC T60°C Db IP66 Ta = -40°C to +55°C	250V ac Max. 50V dc Max.	5.0A Max. 1.0A Max.	N	6 x 4mm ²	2 x M20 Top/Bottom 1 x M20 Left/Right	0.8Kg
BExCP3B-PB	II 2G Ex e d mb IIC T4 Gb II 2D Ex t IIIC T70°C Db IP66 Ta = -40°C to +50°C	56V dc Max. Rating: <50V: 1.0A >50V: 0.75A	48V 24V 12V 6V	56V 28V 15V 9V	1K8 470R 120R 47R	Y 6 x 4mm ² or 8 x 2.5mm ² DIN rail	2 x M20 Top/Bottom 1 x M20 Left/Right

Part Codes:

Type:	Terminals:	Duty Label:	Colour:	Nominal Voltage	E.O.L Resistor:	Series Resistor:
BExCP3A-PB	ST	NL	RD	48V	ExxxR	SxxxR
BExCP3B-PB	DR	DL		24V 12V 6V		

ST: Standard
DR: DIN rail
'DR' option
only on BExCP3B
version

NL: No label (std)
DL: Duty Label
Specify content

RD: Red (std)
Contact sales
for other
when ordering.

System Voltage
only required
on BExCP3B
colour options

xxx: Res. value
e.g.: E470R
Only available on
BExCP3B version

xxx: Res. value
e.g.: S2K2R
Only available on
BExCP3B version

e.g. BExCP3A-PB-ST-NL-RD

: BEx-CP3A Push Button call point with standard terminals and no duty label. Red housing

e.g. BExCP3B-PB-DR-NL-RD-24V-E470R

: BEx-CP3B Push Button call point with DIN rail terminals, no duty label, 24V supply voltage with a 470 Ohm end of line resistor. Red housing.