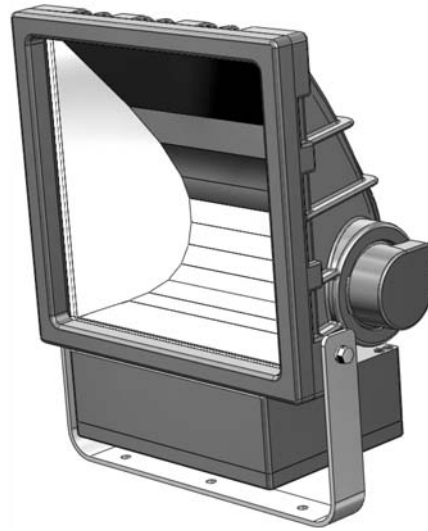


AZD Floodlight

The Ablux AZD Zone 1 IIC floodlight offers a flexible and efficient approach to area lighting. Manufactured in die cast marine grade aluminium and protected to IP66/67, the AZD provides easy maintenance coupled with a highly efficient asymmetric reflector system and flexible mounting options for the integral AZG control gear box.



IP66/67



Luminaire Ratings

Product Reference	Lamp Type	Lamp Cap	Power (W)	Temperature Rating	Ambient Temperature	Weight (Kg)
AZD150HS	HPS/MBI	E40	150	T4	-50°C to 55°C	19.0
AZD250HS	HPS/MBI	E40	250	T3	-50°C to 55°C	19.0
AZD400HS	HPS/MBI	E40	400	T3	-50°C to 55°C	19.0
AZD600S	HPS	E40	600	T3	-50°C to 30°C	19.0
AZD500T	T/H	E40	500max*	T3	-50°C to 55°C	19.0
AZG150HS	HPS/MBI	N/A	150	T4	-50°C to 55°C	8.2
AZG250HS	HPS/MBI	N/A	250	T3	-50°C to 55°C	8.7
AZG400HS	HPS/MBI	N/A	400	T3	-50°C to 55°C	9.4
AZG600S	HPS	N/A	600	T3	-50°C to 30°C	9.9

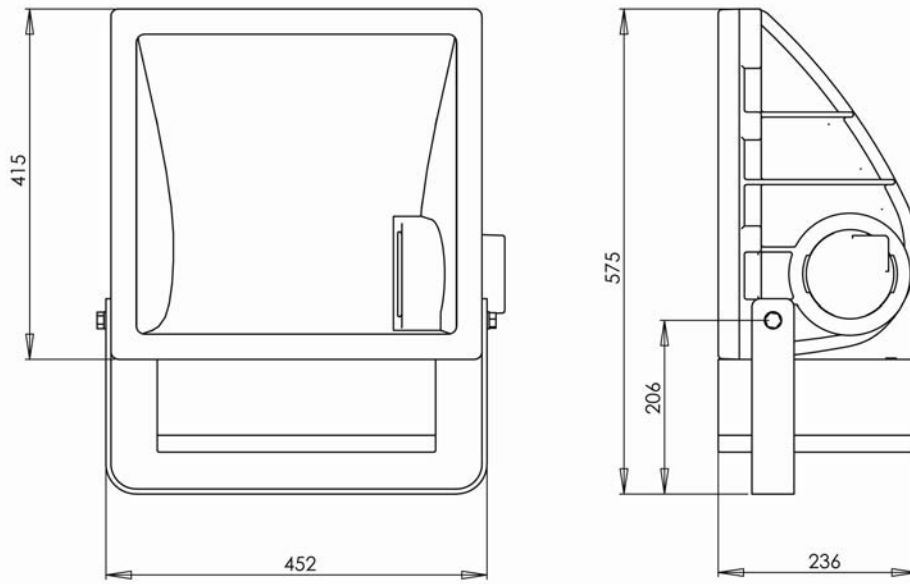
Suffix Key – S = High Pressure Sodium, H = Metal Halide, T = Tubular Tungsten Halogen

*500W is the maximum lamp size permitted. Lower wattage lamps may be fitted.

Other wattages and T ratings and ambient ranges available.

Luminaire Specifications

Luminaire Type	Floodlight & Control Gear Box Zone 1
Ingress Protection	IP66/67 to EN60529
Material	Die-cast aluminium, toughened cover glass & stainless steel fasteners
Distribution/output	Area illumination via high efficiency asymmetric reflector
Lamp Types	High Pressure Sodium, Metal Halide, or Single Ended Tungsten Halogen
Lamp Cap	E40/GES
Lamp Change	Via quick access bayonet mount lampholder.
Cable Entry	2 x M20 tapped entries. (M25 optional) on AZG control gearbox
Terminals	Looping terminals for up to 6mm ² conductors as standard on AZG control gearbox
Control Gear	Copper and iron ballast, timed impulse ignitor, pfc capacitor
Orientation	Universal
Mounting	Via Saddle bracket (standard), pendant bracket & other options available
Supply	Standard: 220 to 254V 50/60Hz Option: other voltages available on request
Certification	
Area Classification	Group II Category 2 G D (Zone 1)
Type of Protection	Ex de (flameproof & increased safety)
Apparatus Coding	II 2 GD Ex de II(see table for temperature rating & ambient temperature range)



AZD floodlight shown with AZG control gear box mounted on body.

Options

M25 Cable entries	/M25
60 Hz operation	/60
Non standard voltage	/110 (check with sales office to ensure availability)

Add the required suffix to the product reference, for example AZD150SH/M25

Accessories

Pole mounting bracket (Ø50 to Ø75mm)	AZD-PM1 (other diameters available on request)
Anti glare shield	AZD-AGS
Wire guard	AZD-WG
Combined Anti glare shield/Wire guard	AZD-WGS