

Flashing alarm lights 15 Joules ABL/ABS



- the powerful flashing light in a metal housing
- designed for alarm functions outdoors and in large halls and plants
- also available with GL approval
- housing and fixing bracket made of sturdy anodised aluminium
- aggressive environmental conditions or driving rain cannot damage the light
- impact-proof lens
- ideally suited for tough industrial environments
- flash tube additionally secured by a steel clamp



Range as per EN 54



Protection system



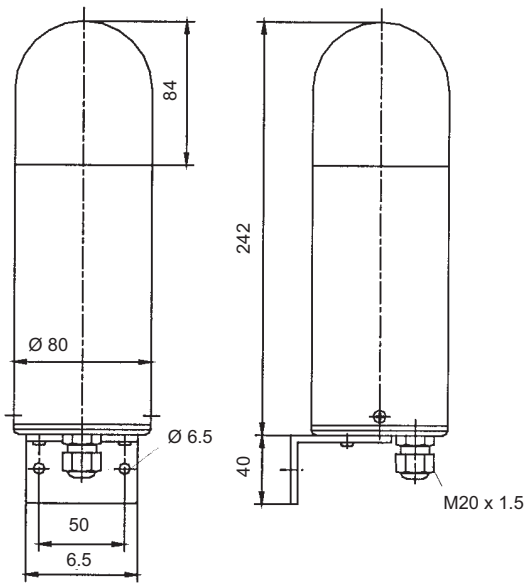
Operating temperature

Electrical data	AC	ABL				
Rated voltage	230 V AC	127 V AC	110 V AC	48 V AC	42 V AC	24 V AC
Rated frequency	50 Hz / 60 Hz	50 Hz / 60 Hz	50 Hz / 60 Hz	50 Hz / 60 Hz	50 Hz / 60 Hz	50 Hz / 60 Hz
Operating range	185 V – 255 V	108 V – 140 V	95 V – 127 V	40 V – 54 V	35 V – 50 V	20 V – 30 V
Nominal current consumption	0.18 A	0.25 A	0.33 A	0.69 A	0.78 A	1.29 A
Electrical data	DC	ABS				
Rated voltage	60 V DC	48 V DC	36 V DC	24 V DC	12 V DC	
Operating range	50 V – 72 V	40 V – 60 V	29 V – 43 V	18 V – 30 V	10 V – 15 V	
Nominal current consumption	0.26 A	0.35 A	0.55 A	0.70 A	1.50 A	

Mechanical data	ABL	ABS
Flash rate	1 Hz = 60 flashes/min.	
Flash energy	15 Joules	
Light intensity (DIN 5037)	clear lens	214 cd
Lens colours	clear, white, yellow, amber, red, green, blue	
Operating temperature	- 30 °C ... + 55 °C	
Storage temperature	- 40 °C ... + 70 °C	
Relative humidity	90%	
Protection system according to EN 60529	IP 54 (vertical mounting)	
Duty cycle	100%	
Service life of the flash tube	light emission still 70% after 8,000,000 flashes	
Material	lens	polycarbonate (PC)
	housing	aluminium (Al Mg Si 1), yellow anodised
	base	polycarbonate (PC) with fibre glass
Cable entry	M20 x 1.5	
Connecting terminals	single wire 0.5 = 2.5 mm ² , fine wire 0.5 = 1.5 mm ² , with cable end sleeves	
Weight	AC version	650 g
	DC version	800 g



Dimensions



Ordering details

Article numbers		ABL		ABS
Lens colour	Rated voltage	230 V AC	110 V AC	24 V DC
yellow		210 01 10 3 000	210 01 16 3 000	210 01 80 3 000
amber		210 01 10 4 000	210 01 16 4 000	210 01 80 4 000
red		210 01 10 5 000	210 01 16 5 000	210 01 80 5 000

Article numbers for other colours and voltages on request

Options / accessories



Article number:
287 10 50 0 042

GOST

GL

See pages 120/121 for further information

Conformity to standards

The visual characteristics of flashing lights conform to the European standard DIN EN 842: 'Machine safety – visual alarm signals'. Requirements contained in the DIN EN 981 standard: 'Machine safety – system of acoustic and visual alarm and information signals', can be fulfilled. The colours 'red' for the emergency signal and 'yellow' for the warning signal conform to the requirements of IEC 73 / DIN EN 60073 / VDE 0199: 'Coding of display devices and control elements using colours and supplementary means'.

References to visual alarm devices can be found in the following standards:
 EN 60825-1 Radiation safety of laser devices, identical to IEC 825 and DIN-VDE 0837
 DIN EN 54 Fire alarm systems
 DIN 54113-2 Radiation protection regulations for the technical operation of X-ray equipment up to 500 kV