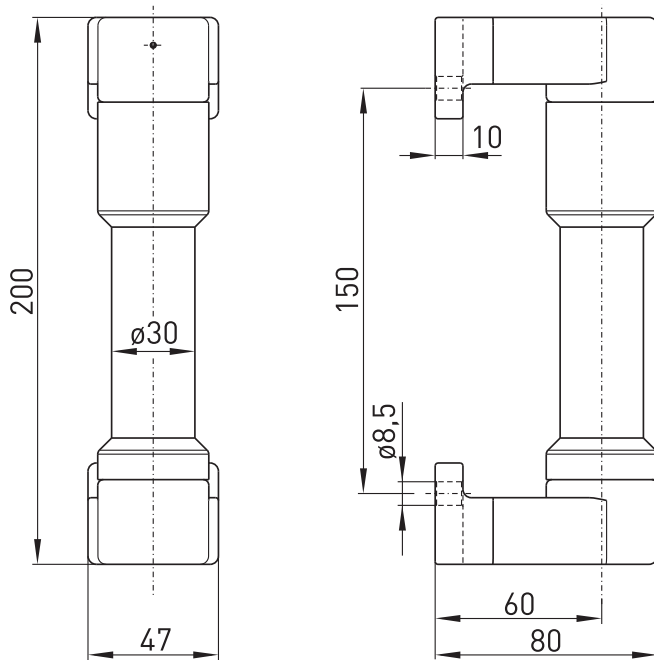


## Accessories for Multifunction handle // TG-x-150 Order no.: 97900901

### Features/Options

- Door handle without electrical function
- Application on double doors
- Length: 200mm
- Thermoplastic

### Dimensions



Errors and omissions excepted.