

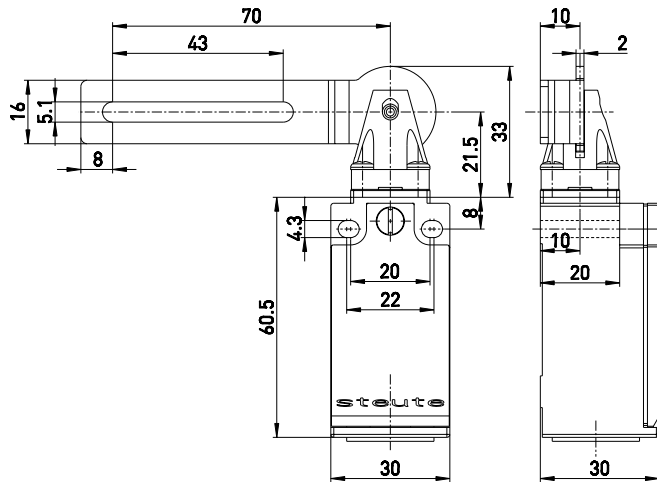
Safety switches for hinged guard doors // ES 95 T5C 2Ö Order no.: 95565001

Features/Options

- Thermoplastic enclosure
- Double insulated
- Slow action \ominus , 2 NC contacts with double break
- Cable entry M20 x 1.5

- Wiring compartment
- Mounting details to DIN EN 50 047
- Transversely slotted mounting holes
- Actuator heads can be repositioned in 4 x 90° steps

Dimensions

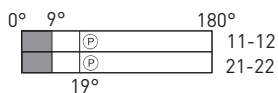


Technical data

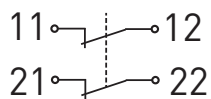
| | |
|------------------------------------|---|
| Standards | EN ISO 13849-1; IEC/EN 60947-5-1; EN 1088; BG-GS-ET-15 |
| Enclosure | glass-fibre reinforced, shock-proof thermoplastic, self-extinguishing UL 94-V0 stainless steel 1. 4301 |
| Actuator | |
| Degree of protection | IP 67 to IEC/EN 60529 |
| Contact material | silver |
| Switching system | slow action, positive break NC contacts \ominus |
| Switching elements | 2 NC contacts with double break Zb, galvanically separated contact bridges |
| Connection | M3 screw terminals |
| Cable section | max. 1.5 mm ² (incl. conductor ferrules) |
| B_{10d} (10% Load) | 2 million |
| T_M | max. 20 years |
| U_{imp} | 4 kV |
| U_i | 400 V |
| I_{the} | 6 A |
| I_e/U_e | 6 A/400 VAC; 0,25 A/230 VDC |
| Utilisation category | AC-15, DC-13 |
| Max. fuse rating | 6 A gL/gG D-fuse |
| Ambient temperature | -20 °C ... +80 °C |
| Mechanical life | > 1 million operations |
| Weight | 80g |

Switching diagram

Slow action
2 NC contacts



Contact diagram



Errors and omissions excepted.